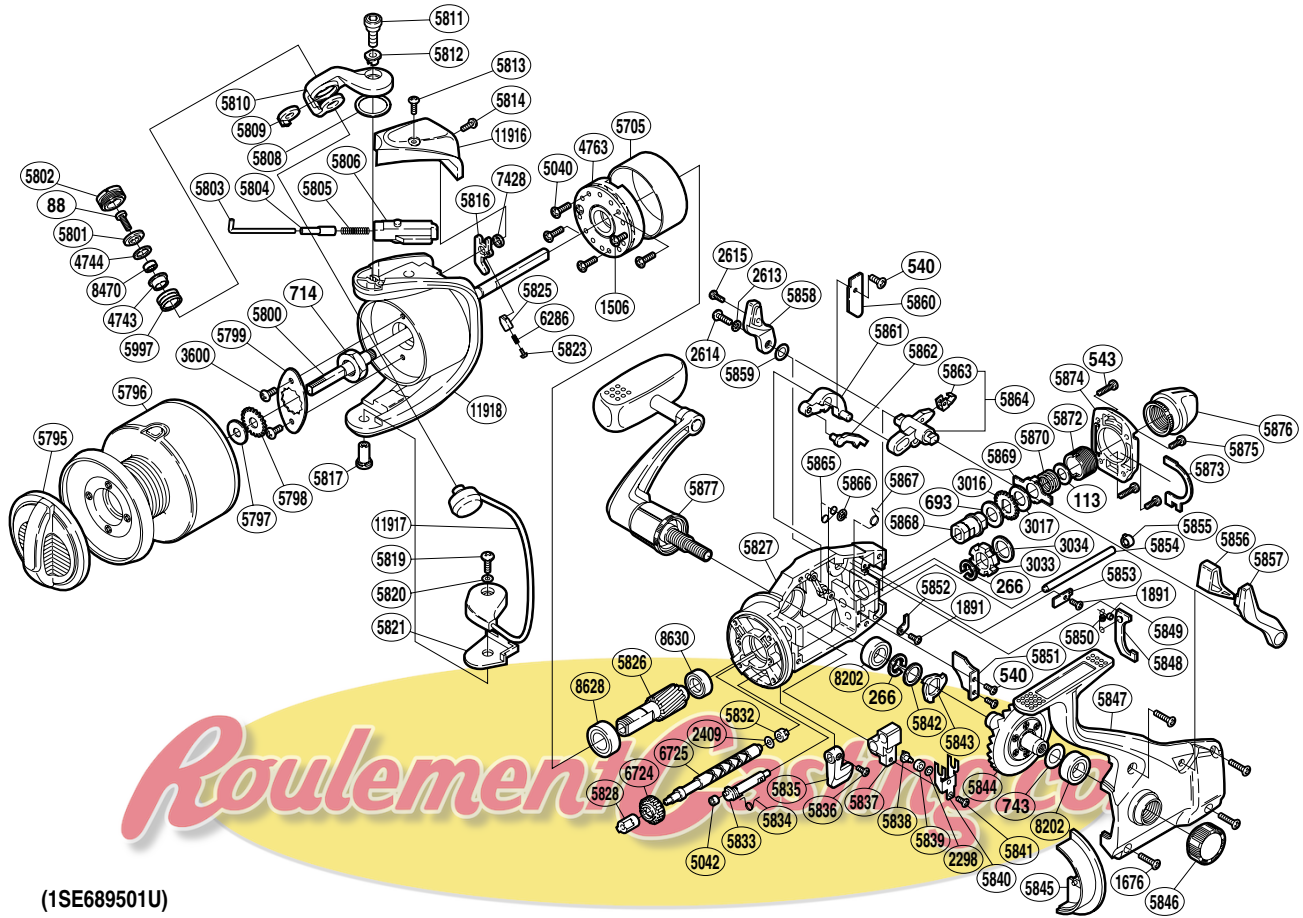


# SHIMANO

## THUNNUS A-RB

## TU-16000F



(1SE689501U)

Part No.	Description	Part No.	Description	Part No.	Description
RD 0088	Line Roller Screw	RD 5806	Bail Spring Guide (B)	RD 5852	Dial Click
RD 0113	Tension Spring Washer (B)	RD 5808	Bail Arm Washer	RD 5853	BaitRunner Pawl Guide
RD 0266	"C" Lock	RD 5809	Line Roller Support Collar	RD 5854	Oscillating Guide
RD 0540	Multi-Purpose Screw (A)	RD 5810	Bail Arm	RD 5855	Oscillating Guide Holder
RD 0543	Rear Protector Screw (long)	RD 5811	Bail Arm Screw	RD 5856	BaitRunner Lever Bridge
RD 0693	Free Spool Tension Washer (cloth)	RD 5812	Bail Arm Screw Collar	RD 5857	BaitRunner Lever Arm (L)
RD 0714	Rotor Nut	RD 5813	Guard Screw (A)	RD 5858	BaitRunner Lever Arm (R)
RD 0743	Drive Gear Washer	RD 5814	Guard Screw (B)	RD 5859	BaitRunner Lever Spacer
RD 1506	Roller Clutch Cover Screw	RD 5816	Bail Trip Lever	RD 5860	Clutch Pawl Guard
RD 1676	Side Cover Screw	RD 5817	Bail Hold Support Shaft	RD 5861	Clutch Lever
RD 1891	Multi-Purpose Screw (B)	RD 5819	Bail Hold Support Screw	RD 5862	Clutch Pawl
RD 2298	Spacer	RD 5820	Spacer	RD 5863	Clutch Arm Cover
RD 2409	Worm Shaft Spacer	RD 5821	Bail Hold Support Spacer	RD 5864	Clutch Arm
RD 2613	Lock Washer	RD 5823	Lever Spring Guide (A)	RD 5865	Clutch Pawl Spring
RD 2614	Clutch Arm Screw	RD 5825	Lever Spring Guide (B)	RD 5866	Push Nut (SPN-2)
RD 2615	BaitRunner Lever Screw	RD 5826	Pinion Gear	RD 5867	Clutch Spring
RD 3016	Click Gear	RD 5827	Body	RD 5868	Free Spool Tension Shaft
RD 3017	Free Spool Tension Washer (B)	RD 5828	Worm Bushing (front)	RD 5869	Eared Washer
RD 3033	BaitRunner Ratchet	RD 5832	Worm Bushing (rear)	RD 5870	Free Spool Tension Spring
RD 3034	Ratchet Spacer	RD 5833	Anti-Reverse Cam	RD 5872	Free Spool Tension Screw
RD 3600	Nut Lock Screw	RD 5834	Anti-Reverse Cam Spring	RD 5873	Dial Retainer
RD 4743	Line Roller Bushing	RD 5835	Anti-Reverse Lever	RD 5874	Rear Protector
RD 4744	Roller Bearing Seal	RD 5836	Anti-Reverse Lever Screw	RD 5875	Rear Protector Screw (short)
RD 4763	Roller Clutch Assembly	RD 5837	Oscillating Slider	RD 5876	BaitRunner Tension Dial
RD 5040	Roller Clutch Screw	RD 5838	Oscillating Pawl	RD 5877	Handle Assembly
RD 5042	Anti-Reverse Cam Ring	RD 5839	Oscillating Slider Bushing	RD 5997	Line Roller
RD 5705	Roller Clutch Ring	RD 5840	Oscillating Slider Retainer	RD 6286	Bail Trip Lever Spring
RD 5795	Drag Knob	RD 5841	Slider Retainer Screw	RD 6724	Idle Gear (B)
RD 5796	Spool Assembly	RD 5842	Drive Gear Ratchet Spacer	RD 6725	Worm Shaft (B)
RD 5797	Spool Washer	RD 5843	Drive Gear Ratchet	RD 7428	Bail Trip Lever Washer
RD 5798	Spool Support	RD 5844	Drive Gear	RD 8202	Ball Bearing
RD 5799	Rotor Nut Retainer	RD 5845	Side Cover Flange	RD 8470	Line Roller Bearing
RD 5800	Main Shaft	RD 5846	Handle Screw Cap	RD 8628	Ball Bearing
RD 5801	Line Roller Washer	RD 5847	Side Cover	RD 8630	Ball Bearing
RD 5802	Line Roller Screw Cap	RD 5848	BaitRunner Pawl	RD11916	Bail Spring Cover
RD 5803	Bail Spring Guide (A)	RD 5849	Spring Retainer	RD11917	Bail Assembly
RD 5804	Spring Guide (A) Support	RD 5850	BaitRunner Pawl Spring	RD11918	Rotor
RD 5805	Bail Spring	RD 5851	Worm Shaft Retainer		