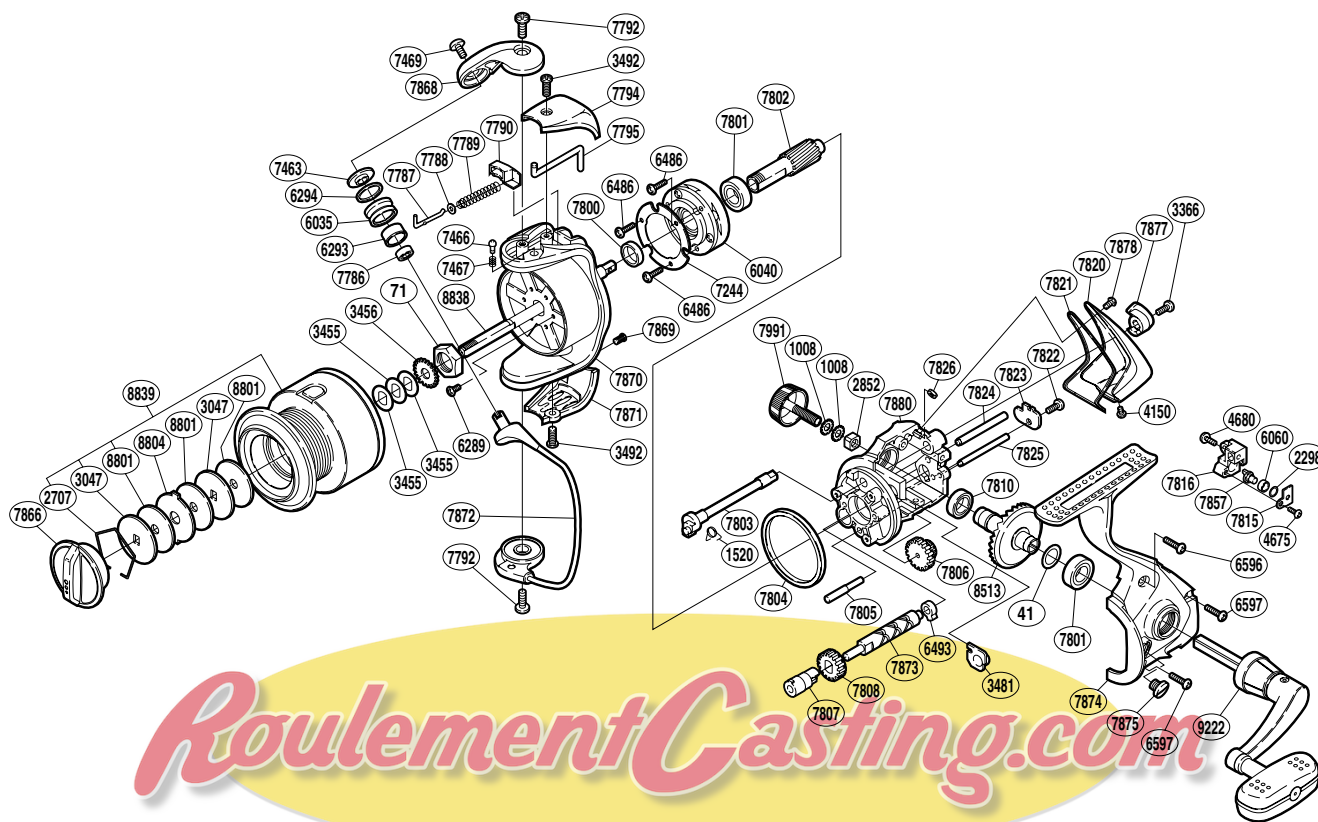


SHIMANO®

STRADIC®

ST-2500FH



Part No.	Description	Part No.	Description	Part No.	Description
RD0041	Drive Gear Washer	RD7244	Roller Clutch Reinforce	RD7821	Rear Shield
RD0071	Rotor Nut	RD7463	Line Roller Washer	RD7822	Worm Shaft Retainer Screw
RD1008	Handle Lock Washer	RD7466	Click Pin	RD7823	Worm Shaft Retainer
RD1520	Anti-Reverse Cam Spring	RD7467	Click Spring	RD7824	Oscillating Guide (B)
RD2298	Spacer	RD7469	Line Roller Screw	RD7825	Oscillating Guide (A)
RD2707	Drag Washers Retainer	RD7786	Ball Bearing	RD7826	Rear Protector Nut
RD2852	Handle Screw Lock	RD7787	Bail Spring Guide (A)	RD7857	Oscillating Pawl
RD3047	Key Washer	RD7788	Spring Guide (A) Support	RD7866	Drag Knob
RD3366	Anti-Reverse Lever Screw	RD7789	Bail Spring	RD7868	Bail Arm
RD3455	Spool Washer	RD7790	Bail Spring Seat	RD7869	Bail Hold Support Guard Screw
RD3456	Spool Support	RD7792	Multi-Purpose Screw	RD7870	Rotor
RD3481	Bushing	RD7794	Bail Spring Cover	RD7871	Bail Hold Support Guard
RD3492	Multi-Purpose Screw	RD7795	Bail Trip Lever	RD7872	Bail Assembly
RD4150	Rear Protector Screw (C)	RD7800	Rotor Ring	RD7873	Worm Shaft
RD4675	Oscillating Pawl Cover Screw	RD7801	Ball Bearing	RD7874	Side Cover
RD4680	Slider Retainer Screw	RD7802	Pinion Gear	RD7875	Oil Cap
RD6035	Line Roller	RD7803	Anti-Reverse Cam	RD7877	Anti-Reverse Lever
RD6040	Roller Clutch Assembly	RD7804	Friction Ring	RD7878	Rear Protector Screw (B)
RD6060	Oscillating Slider Bushing	RD7805	Idle Gear (B) Shaft	RD7880	Body
RD6289	Nut Lock Screw	RD7806	Idle Gear (B)	RD7991	Handle Screw Cap
RD6293	Line Roller Bushing	RD7807	Worm Bushing (front)	RD8513	Drive Gear
RD6294	Line Roller Spacer	RD7808	Idle Gear	RD8801	Drag Washer
RD6486	Roller Clutch Screw	RD7810	Ball Bearing	RD8804	Eared Washer
RD6493	Worm Bushing (rear)	RD7815	Oscillating Pawl Cover	RD8838	Main Shaft
RD6596	Side Cover Screw (short)	RD7816	Oscillating Slider	RD8839	Spool Assembly
RD6597	Side Cover Screw (long)	RD7820	Rear Protector	RD9222	Handle Assembly