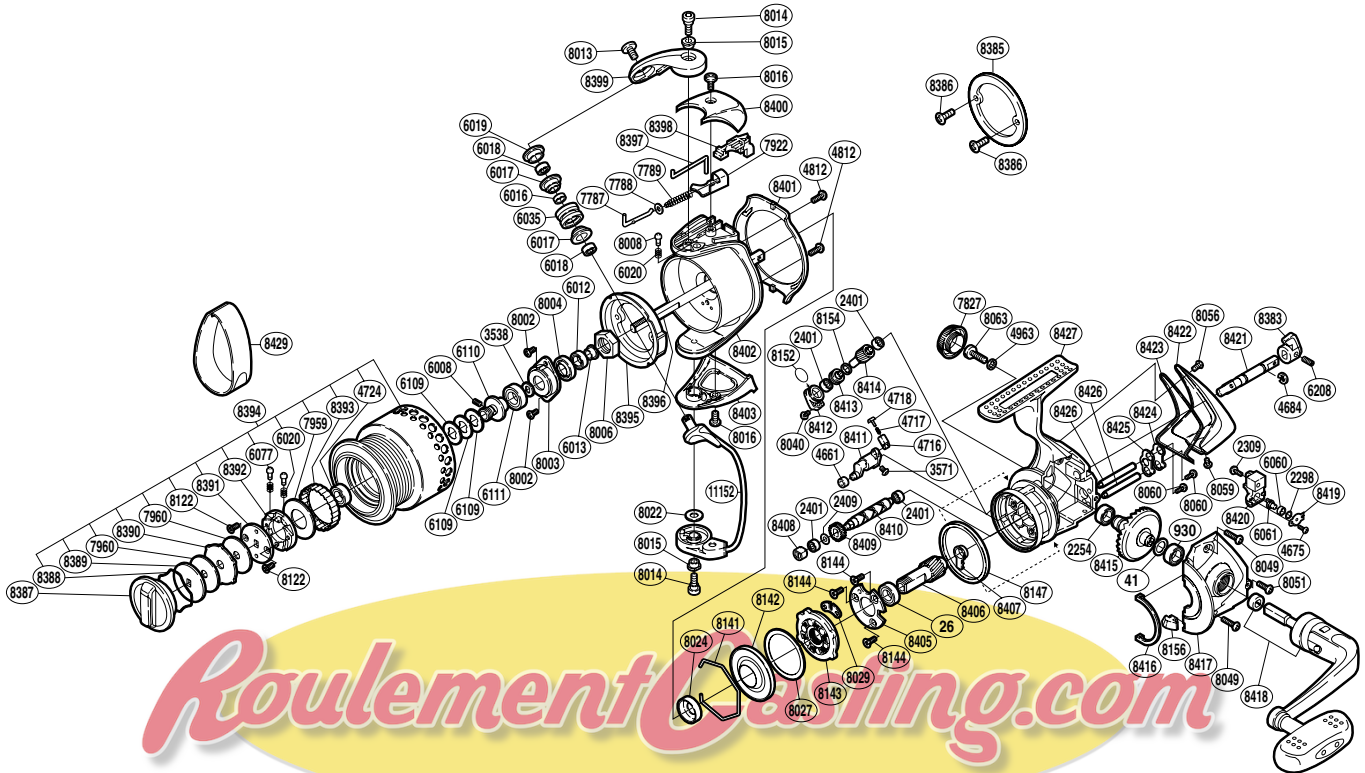


SHIMANO

STELLA

STL-FW4000S



Part No.	Description	Part No.	Description	Part No.	Description
RD 0026	Ball Bearing	RD 7922	Bail Spring Seat	RD 8393	Drag Click Collar
RD 0041	Drive Gear Washer	RD 7959	Drag Washer (B)	RD 8394	Spool Assembly
RD 0930	Ball Bearing	RD 7960	Drag Washer (A)	RD 8395	Counterweight Cover
RD 2254	Ball Bearing	RD 8002	Nut Lock Screw	RD 8396	Main Shaft
RD 2298	Spacer	RD 8003	Rotor Nut Lock Plate	RD 8397	Bail Trip Lever
RD 2309	Slider Retainer Screw	RD 8004	Bearing Water Proof	RD 8398	Bail Trip Cover
RD 2401	Ball Bearing	RD 8006	Rotor Nut	RD 8399	Bail Arm
RD 2409	Worm Shaft Spacer	RD 8008	Click Pin	RD 8400	Bail Spring Cover
RD 3538	Spool Support	RD 8013	Line Roller Screw	RD 8401	Rotor Guard
RD 3571	Anti-Reverse Cam Screw	RD 8014	Bail Arm Screw	RD 8402	Rotor
RD 4661	Anti-Reverse Cam Ring	RD 8015	Bail Arm Screw Collar	RD 8403	Bail Hold Support Guard
RD 4675	Oscillating Pawl Cover Screw	RD 8016	Protector Screw (A)	RD 8405	Bearing Retainer
RD 4684	"E" Lock	RD 8022	Bail Hold Support Washer	RD 8406	Pinion Gear
RD 4716	Spring Guide (B)	RD 8024	Rotor Ring	RD 8407	Bushing
RD 4717	Lever Spring	RD 8027	Roller Clutch Outer Spacer	RD 8408	Worm Bushing
RD 4718	Spring Guide (A)	RD 8029	Clutch Insole	RD 8409	Idle Gear
RD 4724	Ball Bearing	RD 8040	Gear Cover Screw	RD 8410	Worm Shaft
RD 4812	Counterweight Cover Screw	RD 8049	Side Cover Screw (long)	RD 8411	Anti-Reverse Cam
RD 4963	Handle Lock Washer	RD 8051	Side Cover Screw (short)	RD 8412	Gear Cover
RD 6008	Set Screw	RD 8056	Protector Screw (C)	RD 8413	Idle Gear (B)
RD 6012	Ball Bearing	RD 8059	Protector Screw (D)	RD 8414	Pinion Worm Gear
RD 6013	Main Shaft Spacer	RD 8060	Worm Shaft Retainer Screw	RD 8415	Drive Gear
RD 6016	Bearing Spacer	RD 8063	Handle Lock Screw	RD 8416	Flange Water Proof
RD 6017	Line Roller Bushing	RD 8122	Drag Click Holder Cover Screw	RD 8417	Side Cover
RD 6018	Ball Bearing	RD 8141	Roller Clutch Water Proof Retainer	RD 8418	Handle Assembly
RD 6019	Line Roller Washer	RD 8142	Roller Clutch Water Proof	RD 8419	Oscillating Pawl Cover
RD 6020	Click Spring	RD 8143	Roller Clutch Assembly	RD 8420	Oscillating Slider
RD 6035	Line Roller	RD 8144	Bearing Retainer Screw	RD 8421	Anti-Reverse Lever Shaft
RD 6060	Oscillating Slider Bushing	RD 8147	Friction Ring	RD 8422	Rear Protector
RD 6061	Oscillating Pawl	RD 8152	Gear Cover Seal	RD 8423	Rear Shield
RD 6077	Click Pin	RD 8154	Idle Gear Collar	RD 8424	Worm Shaft Retainer
RD 6109	Spool Washer	RD 8156	Bail Trip Strike	RD 8425	Worm Shaft Retainer Washer
RD 6110	Bearing Bushing	RD 8383	Anti-Reverse Lever	RD 8426	Oscillating Guide
RD 6111	Ball Bearing	RD 8387	Drag Knob	RD 8427	Body
RD 6208	Set Screw	RD 8388	Drag Washers Retainer	RD11152	Bail Assembly
RD 7787	Bail Spring Guide (A)	RD 8389	Key Washer		
RD 7788	Spring Guide (A) Support	RD 8390	Eared Washer	RD 8385	S-Weight
RD 7789	Bail Spring	RD 8391	Drag Click Holder Cover	RD 8386	S-Weight Screw
RD 7827	Handle Screw Cap	RD 8392	Drag Click Holder	RD 8429	Line Band (M)