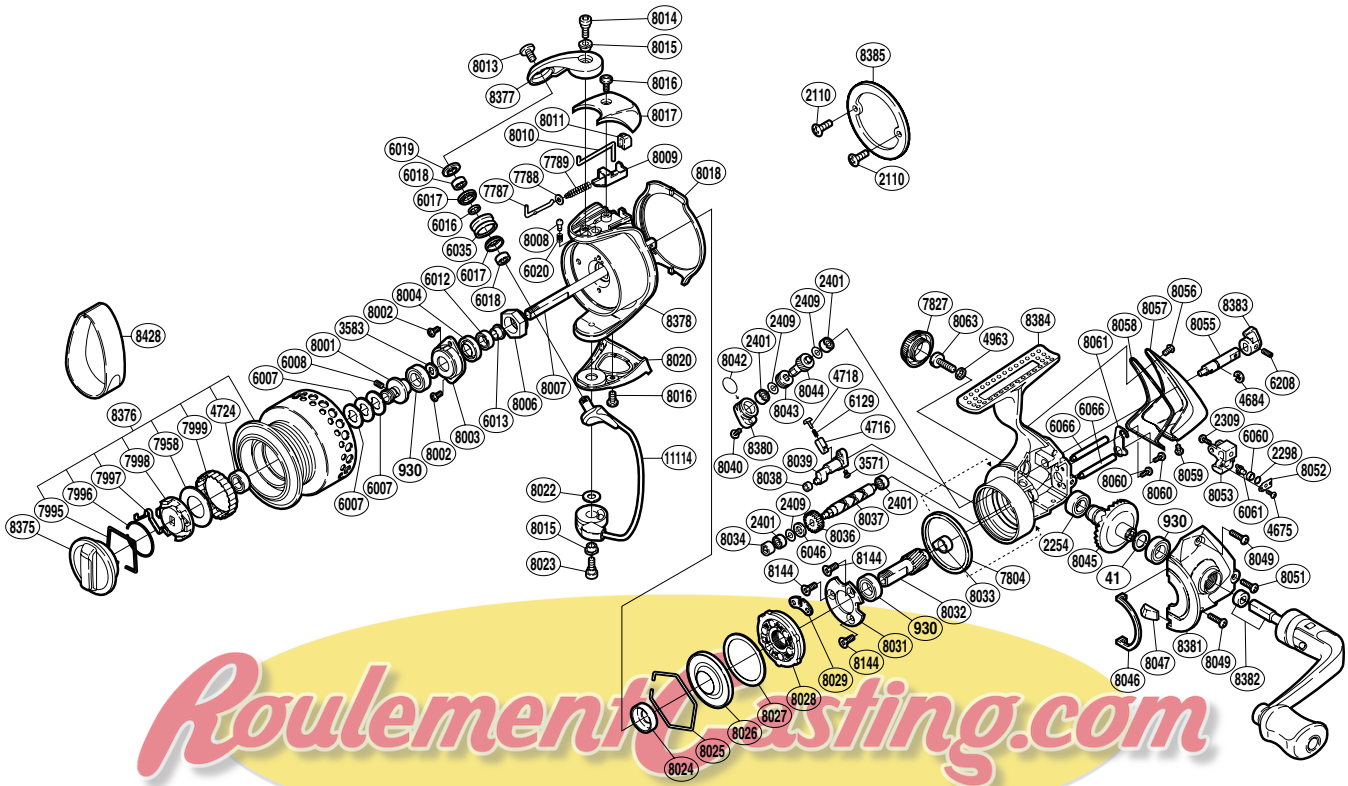


SHIMANO®

STELLA

STL-2500FW



Part No.	Description	Part No.	Description	Part No.	Description
RD 0041	Drive Gear Washer	RD 7995	Drag Washers Retainer	RD 8039	Anti-Reverse Cam
RD 0930	Ball Bearing	RD 7996	Click Spring Retainer	RD 8040	Gear Cover Screw
RD 2254	Ball Bearing	RD 7997	Click Spring	RD 8042	Gear Cover Seal
RD 2298	Spacer	RD 7998	Drag Click Holder	RD 8043	Idle Gear (B)
RD 2309	Slider Retainer Screw	RD 7999	Drag Click Collar	RD 8044	Pinion Worm Gear
RD 2401	Ball Bearing	RD 8001	Bearing Bushing	RD 8045	Drive Gear
RD 2409	Worm Shaft Spacer	RD 8002	Nut Lock Screw	RD 8046	Flange Water Proof
RD 3538	Spool Support	RD 8003	Rotor Nut Lock Plate	RD 8047	Bail Trip Strike
RD 3571	Anti-Reverse Cam Screw	RD 8004	Bearing Water Proof	RD 8049	Side Cover Screw (long)
RD 4675	Oscillating Pawl Cover Screw	RD 8006	Rotor Nut	RD 8051	Side Cover Screw (short)
RD 4684	"E" Lock	RD 8007	Main Shaft	RD 8052	Oscillating Pawl Cover
RD 4716	Spring Guide (B)	RD 8008	Click Pin	RD 8053	Oscillating Slider
RD 4718	Spring Guide (A)	RD 8009	Bail Spring Seat	RD 8055	Anti-Reverse Lever Shaft
RD 4724	Ball Bearing	RD 8010	Bail Trip Lever	RD 8056	Protector Screw (C)
RD 4963	Handle Lock Washer	RD 8011	Bail Trip Cover	RD 8057	Rear Protector
RD 6007	Spool Washer	RD 8013	Line Roller Screw	RD 8058	Rear Shield
RD 6008	Set Screw	RD 8014	Bail Arm Screw	RD 8059	Protector Screw (D)
RD 6012	Ball Bearing	RD 8015	Bail Arm Screw Collar	RD 8060	Worm Shaft Retainer Screw
RD 6013	Main Shaft Spacer	RD 8016	Protector Screw (A)	RD 8061	Worm Shaft Retainer
RD 6016	Bearing Spacer	RD 8017	Bail Spring Cover	RD 8063	Handle Lock Screw
RD 6017	Line Roller Bushing	RD 8018	Rotor Guard	RD 8144	Bearing Retainer Screw
RD 6018	Ball Bearing	RD 8020	Bail Hold Support Guard	RD 8375	Drag Knob
RD 6019	Line Roller Washer	RD 8022	Bail Hold Support Washer	RD 8376	Spool Assembly
RD 6020	Click Spring	RD 8023	Bail Hold Support Screw	RD 8377	Bail Arm
RD 6035	Line Roller	RD 8024	Rotor Ring	RD 8378	Rotor
RD 6046	Idle Gear Washer	RD 8025	Roller Clutch Water Proof Retainer	RD 8380	Gear Cover
RD 6060	Oscillating Slider Bushing	RD 8026	Roller Clutch Water Proof	RD 8381	Side Cover
RD 6061	Oscillating Pawl	RD 8027	Roller Clutch Outer Spacer	RD 8382	Handle Assembly
RD 6066	Oscillating Guide (B)	RD 8028	Roller Clutch Assembly	RD 8383	Anti-Reverse Lever
RD 6129	Lever Spring	RD 8029	Clutch Insole	RD 8384	Body
RD 6208	Set Screw	RD 8031	Bearing Retainer	RD11114	Bail Assembly
RD 7787	Bail Spring Guide (A)	RD 8032	Pinion Gear		
RD 7788	Spring Guide (A) Support	RD 8033	Bushing		
RD 7789	Bail Spring	RD 8034	Worm Bushing		
RD 7804	Friction Ring	RD 8036	Idle Gear	RD 2110	S-Weight Screw
RD 7827	Handle Screw Cap	RD 8037	Worm Shaft	RD 8385	S-Weight
RD 7958	Drag Washer	RD 8038	Anti-Reverse Cam Ring	RD 8428	Line Band (S)