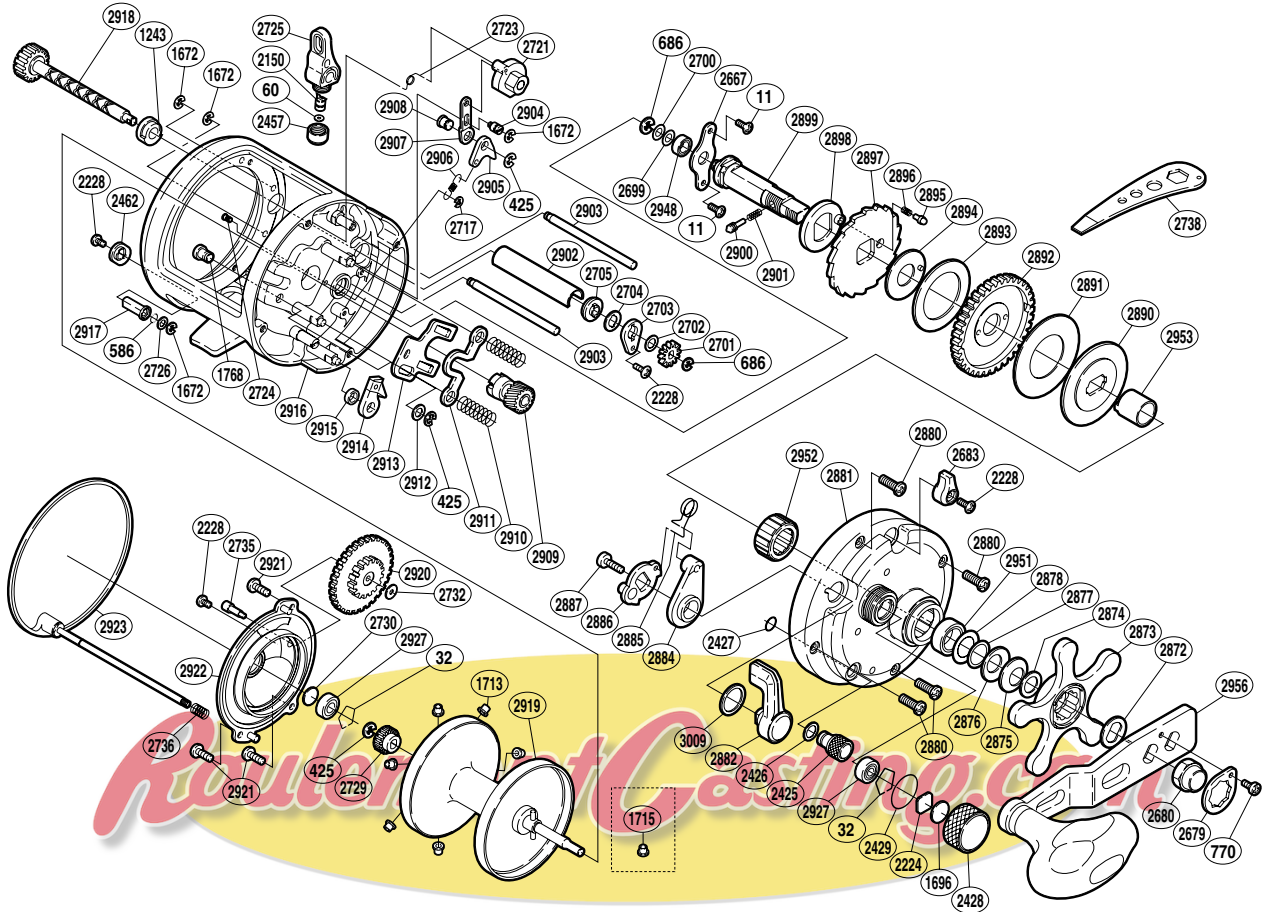


SHIMANO®

CALCUTTA TE

CTE-700



Part No.	Description	Part No.	Description	Part No.	Description
BNT0011	Drive Shaft Retainer Screw	BNT2723	Click Switch Spring	BNT2902	Level Wind Guard
BNT0032	Bearing Retainer	BNT2724	Click Spring Pin	BNT2903	Level Wind Guide
BNT0060	Spacer (optional)	BNT2725	Line Guide	BNT2904	Click Link Guide Pin
BNT0425	"E" Lock	BNT2726	Damper Washer	BNT2905	Click Pawl
BNT0586	Bolt Retainer	BNT2729	Idle Gear (A)	BNT2906	Click Pawl Spring
BNT0686	"E" Lock	BNT2730	Spacer (B)	BNT2907	Click Link
BNT0770	Handle Nut Plate Screw	BNT2732	Idle Gear "B" Washer	BNT2908	Click Link Pin
BNT1243	Worm Bushing (B)	BNT2735	Idle Gear Shaft	BNT2909	Pinion Gear (A)
BNT1672	"E" Lock	BNT2736	Left Side Plate Spring	BNT2910	Yoke Spring
BNT1696	Cast Control Spacer (B)	BNT2872	Friction Washer	BNT2911	Yoke
BNT1713	Brake Collar (green)	BNT2873	Star Drag	BNT2912	Washer
BNT1768	Clutch Button Guide Pin	BNT2874	Star Drag Washer	BNT2913	Yoke Plate
BNT2150	Line Guide Pawl	BNT2875	Drag Spring Washer (L)	BNT2914	Anti-Reverse Pawl
BNT2224	Spool Tension Spacer (A)	BNT2876	Drag Spring Washer (H)	BNT2915	Bushing
BNT2228	Multi-Purpose Screw	BNT2877	Bearing Thrust Washer	BNT2916	One-Piece Frame
BNT2425	Side Plate Open Nut	BNT2878	Bearing Seal	BNT2917	Damper (A)
BNT2426	Open Nut Washer	BNT2880	Right Side Plate Screw (A)	BNT2918	Worm Shaft
BNT2427	"O" Ring	BNT2881	Right Side Plate	BNT2919	Spool Assembly
BNT2428	Cast Control Cap	BNT2882	Clutch Lever	BNT2920	Idle Gear "B"
BNT2429	"O" Ring	BNT2884	Eccentric Cam Bushing	BNT2921	Brake Case Screw
BNT2457	Pawl Cap	BNT2885	Clutch Spring	BNT2922	Brake Case
BNT2462	Damper Guide	BNT2886	Clutch Cam	BNT2923	Left Side Plate
BNT2667	Drive Shaft Retainer	BNT2887	Clutch Lever Screw	BNT2927	Ball Bearing
BNT2679	Handle Nut Plate	BNT2890	Key Washer	BNT2948	Ball Bearing
BNT2680	Handle Nut	BNT2891	Drag Washer (B)	BNT2951	Ball Bearing
BNT2683	Click Switch	BNT2892	Drive Gear	BNT2952	Roller Clutch Bearing
BNT2699	Drive Shaft Washer (A)	BNT2893	Drag Washer (A)	BNT2953	Roller Clutch Inner Tube
BNT2700	Drive Shaft Washer (B)	BNT2894	Drag Click Plate	BNT2956	Handle Assembly
BNT2701	Click Gear	BNT2895	Drag Click Pin	BNT3009	Smoother
BNT2702	Worm Shaft Washer (B)	BNT2896	Drag Click Spring		
BNT2703	Worm Bushing (A) Retainer	BNT2897	Anti-Reverse Ratchet		
BNT2704	Worm Shaft Washer (A)	BNT2898	Drag Click Pin Holder		
BNT2705	Worm Bushing (A)	BNT2899	Drive Shaft	BNT1715	Brake Collar (red)
BNT2717	"E" Lock	BNT2900	Click Pin		
BNT2721	Click Switch Cam	BNT2901	Click Spring	BNT2738	Wrench (accessory)