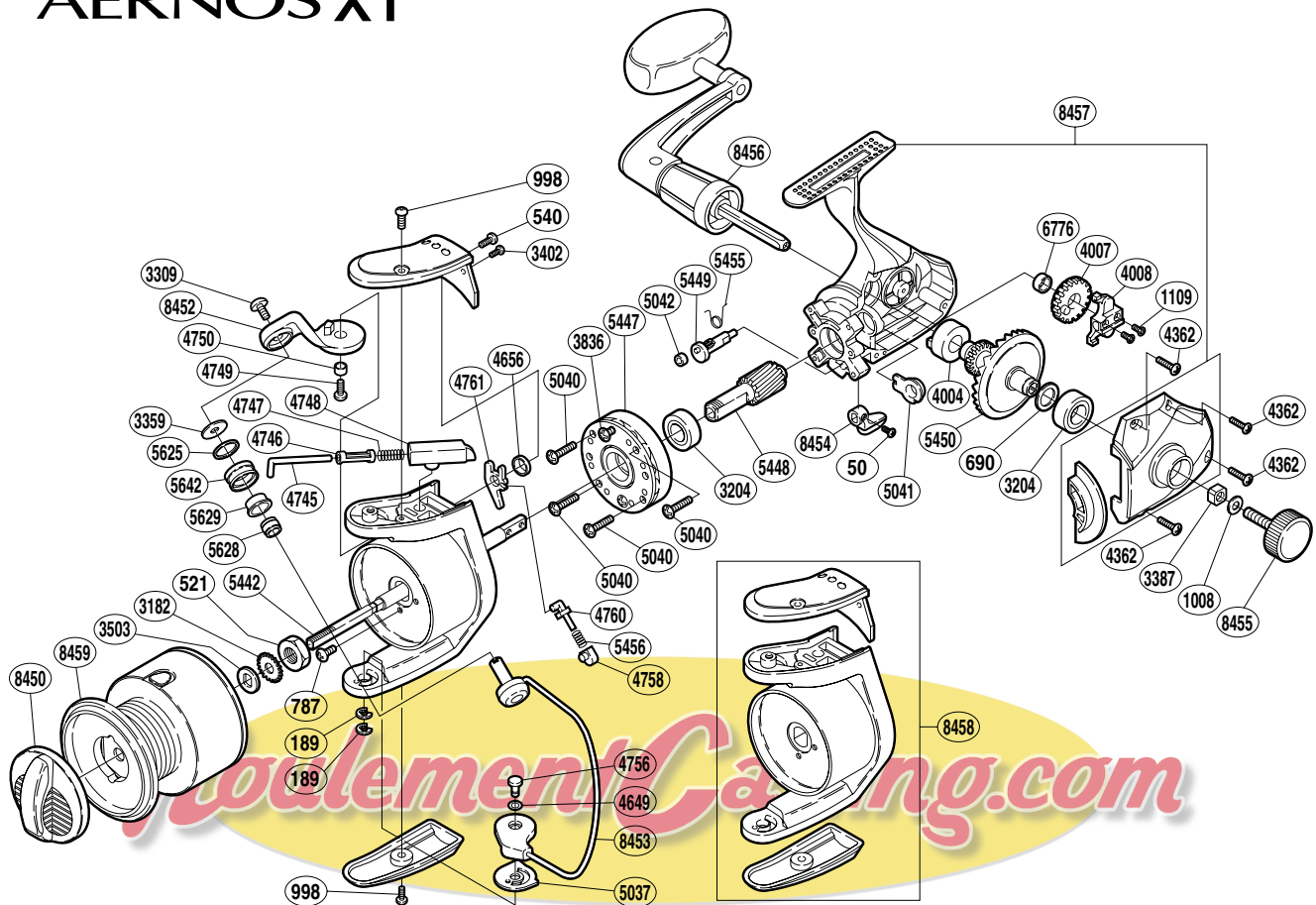


SHIMANO®

Oceania AERNOS XT

OC-ARNS-XT8000



| Part No. | Description | Part No. | Description | Part No. | Description |
|----------|-----------------------------|----------|--------------------------|----------|--------------------------|
| RD 0050 | Anti-Reverse Lever Screw | RD 4362 | Side Cover Screw | RD 5449 | Anti-Reverse Cam |
| RD 0189 | "E" Lock | RD 4649 | Spacer | RD 5450 | Drive Gear |
| RD 0521 | Rotor Nut | RD 4656 | Trip Lever Spacer | RD 5455 | Anti-Reverse Cam Spring |
| RD 0540 | Bail Spring Cover Screw (A) | RD 4745 | Bail Spring Guide (A) | RD 5456 | Lever Spring |
| RD 0690 | Drive Gear Washer | RD 4746 | Spring Guide (A) Support | RD 5625 | Line Roller Spacer |
| RD 0787 | Nut Lock Screw | RD 4747 | Bail Spring | RD 5628 | Line Roller Collar |
| RD 0998 | Bail Spring Cover Screw (C) | RD 4748 | Bail Spring Guide (B) | RD 5629 | Line Roller Bushing |
| RD 1008 | Handle Lock Washer | RD 4749 | Bail Arm Screw | RD 5642 | Line Roller |
| RD 1109 | Slider Retainer Screw | RD 4750 | Bail Arm Bushing | RD 6776 | Oscillating Gear Bushing |
| RD 3182 | Spool Support | RD 4756 | Bail Hold Support Shaft | RD 8450 | Drag Knob |
| RD 3204 | Ball Bearing | RD 4758 | Lever Spring Guide (B) | RD 8452 | Bail Arm |
| RD 3309 | Line Roller Screw | RD 4760 | Lever Spring Guide (A) | RD 8453 | Bail Assembly |
| RD 3359 | Line Roller Washer | RD 4761 | Bail Trip Lever | RD 8454 | Anti-Reverse Lever |
| RD 3387 | Handle Screw Lock | RD 5037 | Bail Hold Support Spacer | RD 8455 | Handle Screw Cap |
| RD 3402 | Bail Spring Cover Screw (B) | RD 5040 | Roller Clutch Screw | RD 8456 | Handle Assembly |
| RD 3503 | Spool Washer | RD 5041 | Bushing | RD 8457 | Body Assembly |
| RD 3836 | Clutch Cover Screw | RD 5042 | Anti-Reverse Cam Ring | RD 8458 | Rotor Assembly |
| RD 4004 | Drive Gear Bushing | RD 5442 | Main Shaft | RD 8459 | Spool Assembly |
| RD 4007 | Oscillating Gear | RD 5447 | Roller Clutch Assembly | | |
| RD 4008 | Oscillating Slider | RD 5448 | Pinion Gear | | |