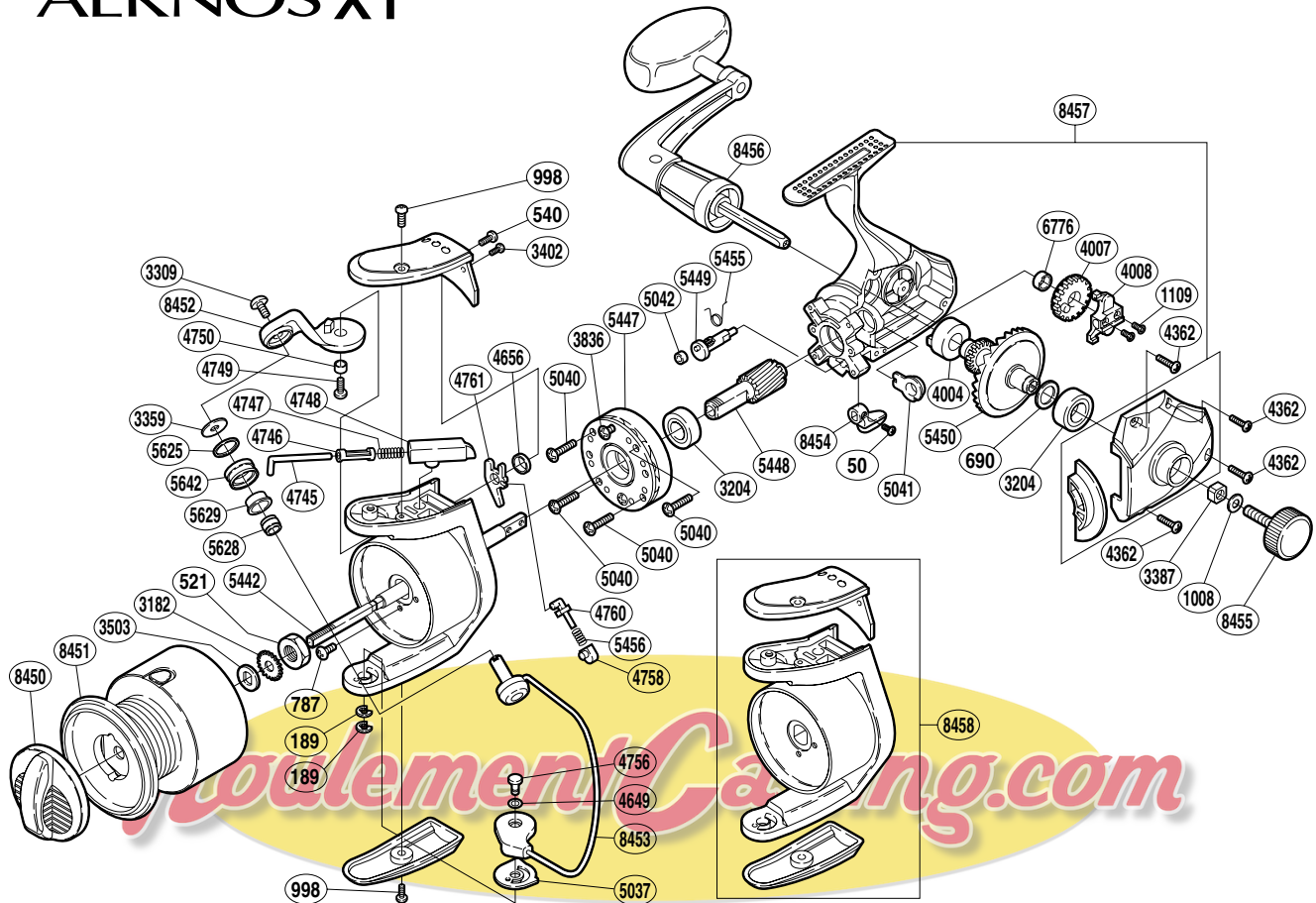


SHIMANO®

Oceania AERNOS XT

OC-ARNS-XT6000



Part No.	Description	Part No.	Description	Part No.	Description
RD 0050	Anti-Reverse Lever Screw	RD 4362	Side Cover Screw	RD 5449	Anti-Reverse Cam
RD 0189	"E" Lock	RD 4649	Spacer	RD 5450	Drive Gear
RD 0521	Rotor Nut	RD 4656	Trip Lever Spacer	RD 5455	Anti-Reverse Cam Spring
RD 0540	Bail Spring Cover Screw (A)	RD 4745	Bail Spring Guide (A)	RD 5456	Lever Spring
RD 0690	Drive Gear Washer	RD 4746	Spring Guide (A) Support	RD 5625	Line Roller Spacer
RD 0787	Nut Lock Screw	RD 4747	Bail Spring	RD 5628	Line Roller Collar
RD 0998	Bail Spring Cover Screw (C)	RD 4748	Bail Spring Guide (B)	RD 5629	Line Roller Bushing
RD 1008	Handle Lock Washer	RD 4749	Bail Arm Screw	RD 5642	Line Roller
RD 1109	Slider Retainer Screw	RD 4750	Bail Arm Bushing	RD 6776	Oscillating Gear Bushing
RD 3182	Spool Support	RD 4756	Bail Hold Support Shaft	RD 8450	Drag Knob
RD 3204	Ball Bearing	RD 4758	Lever Spring Guide (B)	RD 8451	Spool Assembly
RD 3309	Line Roller Screw	RD 4760	Lever Spring Guide (A)	RD 8452	Bail Arm
RD 3359	Line Roller Washer	RD 4761	Bail Trip Lever	RD 8453	Bail Assembly
RD 3387	Handle Screw Lock	RD 5037	Bail Hold Support Spacer	RD 8454	Anti-Reverse Lever
RD 3402	Bail Spring Cover Screw (B)	RD 5040	Roller Clutch Screw	RD 8455	Handle Screw Cap
RD 3503	Spool Washer	RD 5041	Bushing	RD 8456	Handle Assembly
RD 3836	Clutch Cover Screw	RD 5042	Anti-Reverse Cam Ring	RD 8457	Body Assembly
RD 4004	Drive Gear Bushing	RD 5442	Main Shaft	RD 8458	Rotor Assembly
RD 4007	Oscillating Gear	RD 5447	Roller Clutch Assembly		
RD 4008	Oscillating Slider	RD 5448	Pinion Gear		