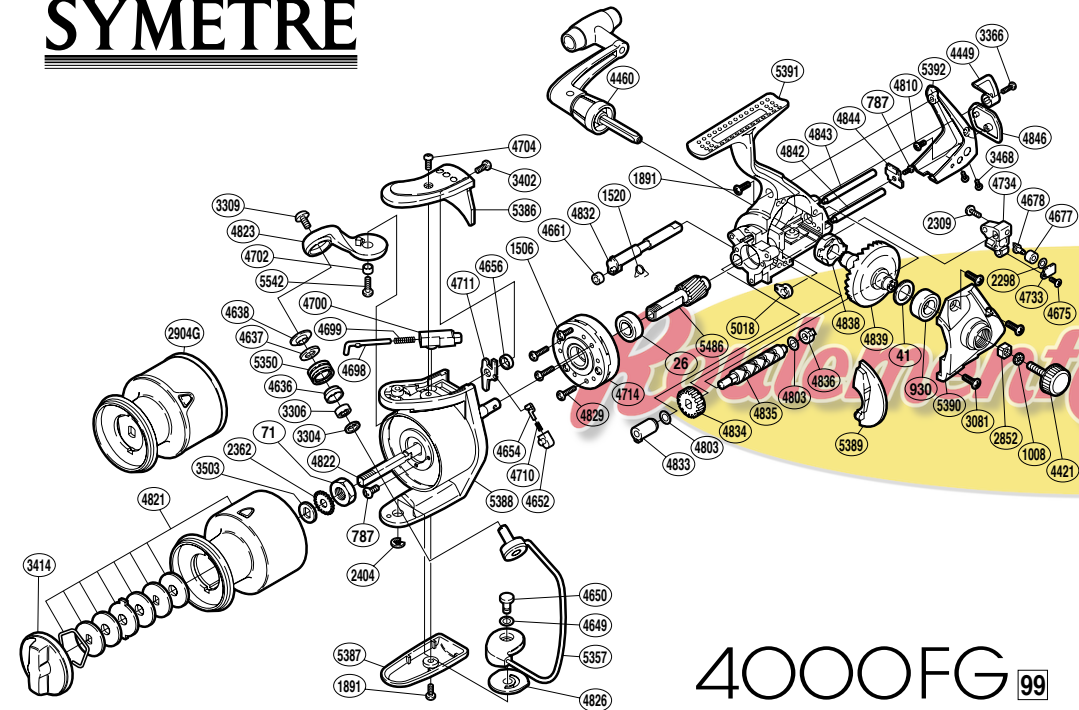


SYMETRE



4000FG 99

RD No.	PARTS NAMES	RD No.	PARTS NAMES	RD No.	PARTS NAMES
0026	Ball Bearing	4636	Line Roller Bushing	4826	Bail Hold Support Spacer
0041	Drive Gear Washer	4637	Line Roller Spacer	4829	Roller Clutch Screw
0071	Rotor Nut	4638	Line Roller Washer	4832	Anti-Reverse Cam
0787	Multi-Purpose Screw	4649	Spacer	4833	Worm Bushing (front)
0930	Ball Bearing	4650	Bail Hold Support Shaft	4834	Idle Gear
1008	Handle Lock Washer	4652	Lever Spring Guide (B)	4835	Worm Shaft
1506	Clutch Cover Screw	4654	Lever Spring Guide (A)	4836	Worm Bushing (rear)
1520	Anti-Reverse Cam Spring	4656	Trip Lever Spacer	4838	Drive Gear Bushing
1891	Multi-Purpose Screw	4661	Anti-Reverse Cam Ring	4839	Drive Gear
2298	Spacer	4675	Oscillating Pawl Cover Screw	4842	Oscillating Guide (A)
2309	Slider Retainer Screw	4677	Oscillating Slider Bushing	4843	Oscillating Guide (B)
2362	Spool Support	4678	Oscillating Pawl	4844	Worm Shaft Retainer
2404	"E" Lock	4698	Bail Spring Guide (A)	4846	Rear Protector
2852	Handle Screw Lock	4699	Bail Spring	5018	Bushing
2904G	Spool Assembly (graphite)	4700	Bail Spring Guide (B)	5350	Line Roller
3081	Side Cover Screw	4702	Bail Arm Bushing	5357	Bail Assembly
3304	Bearing Spacer	4704	Bail Spring Cover Screw (large)	5386	Bail Spring Cover
3306	Line Roller Bearing	4710	Lever Spring	5387	Bail Hold Support Guard
3309	Line Roller Screw	4711	Bail Trip Lever	5388	Rotor
3366	Anti-Reverse Lever Screw	4714	Roller Clutch Assembly	5389	Side Cover Flange
3402	Bail Spring Cover Screw (small)	4733	Oscillating Pawl Cover	5390	Side Cover
3414	Drag Knob	4734	Oscillating Slider	5391	Body
3468	Rear Cover Screw (short)	4803	Worm Shaft Spacer	5392	Rear Cover
3503	Spool Washer	4810	Rear Protector Screw	5486	Pinion Gear
4421	Handle Screw Cap	4821	Spool Assembly (aluminum)	5542	Bail Arm Screw
4449	Anti-Reverse Lever	4822	Main Shaft		
4460	Handle Assembly	4823	Bail Arm		