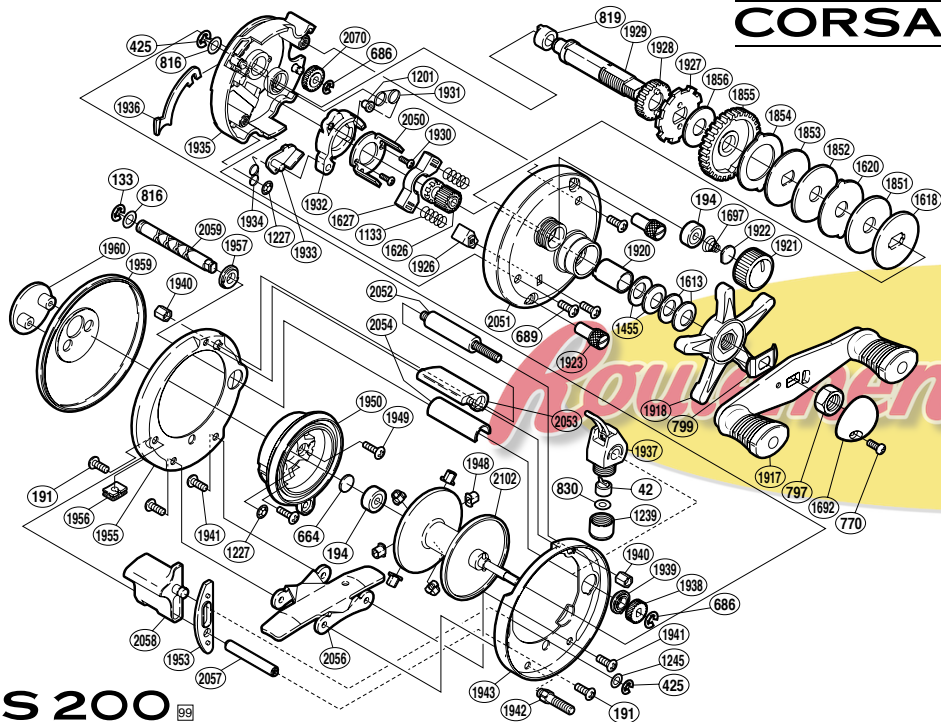


# CORSAIR



CS 200 99

BNT No.	PARTS NAMES	BNT No.	PARTS NAMES	BNT No.	PARTS NAMES
0042	Line Guide Pawl	1697	Spool Tension Spring	1939	Worm Bushing (A)
0133	"E" Lock	1851	Drag Washer (C)	1940	Frame Nut
0191	Clutch Bar Support Screw	1852	Drag Washer (B-2)	1941	Stand Screw
0194	Ball Bearing	1853	Key Washer (A)	1942	Stand Bolt
0425	"E" Lock	1854	Eared Washer (B-1)	1943	Right Side Frame
0664	Spacer B	1855	Drive Gear	1948	Brake Collar
0686	"E" Lock	1856	Drag Washer (A)	1949	Left Side Plate Screw
0689	Right Side Plate Screw	1917	Handle Assembly	1950	Brake Case
0770	Handle Nut Plate Screw	1918	Star Drag	1953	Clutch Bar Guide
0797	Handle Nut	1920	Roller Clutch Inner Tube	1955	Left Side Frame
0799	Friction Washer	1921	Cast Control Cap	1956	Drain
0816	Shaft Washer	1922	Cast Control Spacer	1957	Worm Bushing (B)
0819	Drive Shaft Bushing	1923	Right Side Plate Nut	1959	Left Side Plate
0830	Spacer (optional)	1926	Return Pin Guide	1960	Left Side I.D. Plate
1133	Yoke Spring	1927	Anti-Reverse Ratchet	2050	Clutch Cam Retainer
1201	Retractor Spring Collar	1928	Idle Gear (A)	2051	Right Side Plate Assembly
1227	Push Nut (SPN-2)	1929	Drive Shaft	2052	Frame Bar
1239	Pawl Cap	1930	Clutch Cam Screw	2053	Thumb Rest
1245	Clutch Bar Support Spacer	1931	Retractor Spring	2054	Level Wind Guard
1455	Drag Spring Washer (H)	1932	Clutch Cam	2056	Stand
1613	Drag Spring Washer (L)	1933	Clutch Pawl	2057	Clutch Bar Support
1618	Key Washer (C)	1934	Clutch Pawl Spring	2058	Quick-Fire II Clutch Bar
1620	Eared Washer	1935	Set Plate	2059	Worm Shaft
1626	Pinion Gear	1936	Clutch Plate	2070	Idle Gear (B)
1627	Yoke	1937	Line Guide Assembly	2102	Spool Assembly
1692	Handle Nut Plate	1938	Idle Gear (C)		

(100819)