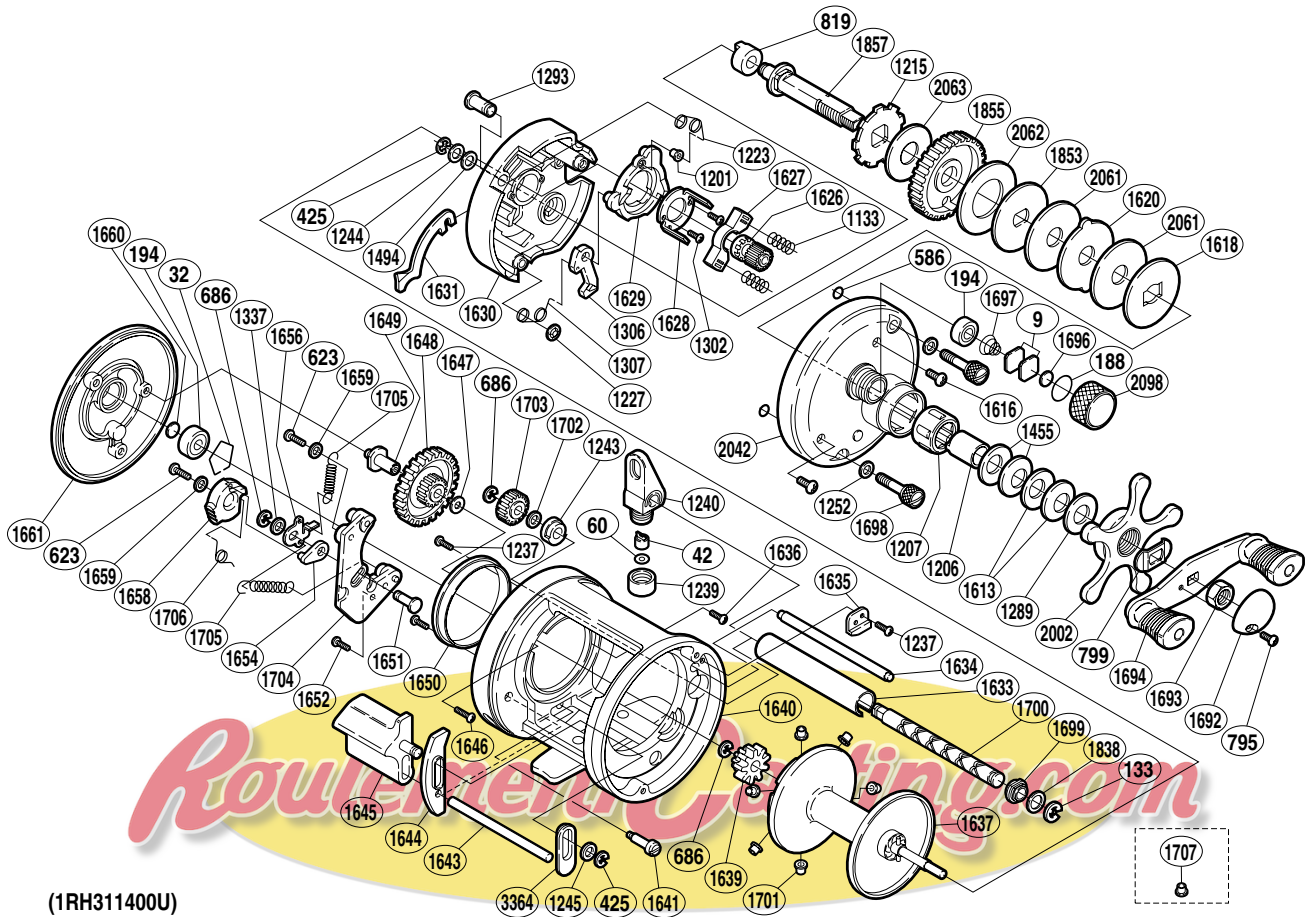


# SHIMANO

## CALCUTTA

## CT-400



(1RH311400U)

Part No.	Description	Part No.	Description	Part No.	Description
BNT0009	Cast Control Spacer (A)	BNT1337	Spacer	BNT1658	Click Switch
BNT0032	Bearing Retainer	BNT1455	Drag Spring Washer (H)	BNT1659	Lock Washer
BNT0042	Line Guide Pawl	BNT1494	Drive Shaft Washer (B)	BNT1660	Spacer (B)
BNT0060	Spacer (optional)	BNT1613	Drag Spring Washer (L)	BNT1661	Left Side Plate
BNT0133	"E" Lock	BNT1616	Right Side Plate Screw	BNT1692	Handle Nut Plate
BNT0188	"O" Ring	BNT1618	Key Washer (C)	BNT1693	Handle Nut
BNT0194	Ball Bearing	BNT1620	Eared Washer	BNT1694	Handle Assembly
BNT0425	"E" Lock	BNT1626	Pinion Gear	BNT1696	Cast Control Spacer (B)
BNT0586	Bolt Retainer	BNT1627	Yoke	BNT1697	Spool Tension Spring
BNT0623	Multi-Purpose Screw	BNT1628	Clutch Cam Retainer	BNT1698	Right Side Plate Bolt
BNT0686	"E" Lock	BNT1629	Clutch Cam	BNT1699	Worm Bushing (A)
BNT0795	Handle Nut Plate Screw	BNT1630	Set Plate	BNT1700	Worm Shaft
BNT0799	Friction Washer	BNT1631	Clutch Plate	BNT1701	Brake Collar (gray)
BNT0819	Drive Shaft Bushing	BNT1633	Level Wind Guard	BNT1702	Washer (B)
BNT1133	Yoke Spring	BNT1634	Level Wind Guide	BNT1703	Idle Gear (C)
BNT1201	Retractor Spring Collar	BNT1635	Worm Bushing (A) Retainer	BNT1704	Click Plate
BNT1206	Roller Clutch Inner Tube	BNT1636	Left Side Plate Screw (short)	BNT1705	Click Spring
BNT1207	Roller Clutch Bearing	BNT1637	Spool Assembly	BNT1706	Click Switch Spring
BNT1215	Anti-Reverse Ratchet	BNT1639	Idle Gear (A) / Click Gear	BNT1838	Washer
BNT1223	Retractor Spring	BNT1640	Forged One-Piece Frame Assembly	BNT1853	Key Washer (A)
BNT1227	Clutch Pawl Spring Retainer	BNT1641	Left Side Plate Bolt	BNT1855	Drive Gear
BNT1237	Multi-Purpose Screw	BNT1643	Clutch Bar Support	BNT1857	Drive Shaft
BNT1239	Pawl Cap	BNT1644	Clutch Bar Guide (B)	BNT2002	Star Drag
BNT1240	Line Guide	BNT1645	Quick-Fire II Clutch Bar	BNT2042	Right Side Plate
BNT1243	Worm Bushing (B)	BNT1646	Left Side Plate Screw (long)	BNT2061	Drag Washer (C-G)
BNT1244	Drive Shaft Spacer	BNT1647	Idle Gear Washer	BNT2062	Drag Washer (B-G)
BNT1245	Clutch Bar Support Spacer	BNT1648	Idle Gear (B)	BNT2063	Drag Washer (A-G)
BNT1252	Right Side Plate Bolt Washer	BNT1649	Idle Gear Shaft	BNT2098	Cast Control Cap
BNT1289	Star Drag Spacer	BNT1650	Brake Ring	BNT3364	Clutch Bar Guide (A)
BNT1293	Retractor Spring Pin	BNT1651	Click Shaft		
BNT1302	Clutch Cam Screw	BNT1652	Click Plate Screw		
BNT1306	Clutch Pawl	BNT1654	Click Link		
BNT1307	Clutch Pawl Spring	BNT1656	Click Pawl	BNT1707	Brake Collar (clear)

(190124)