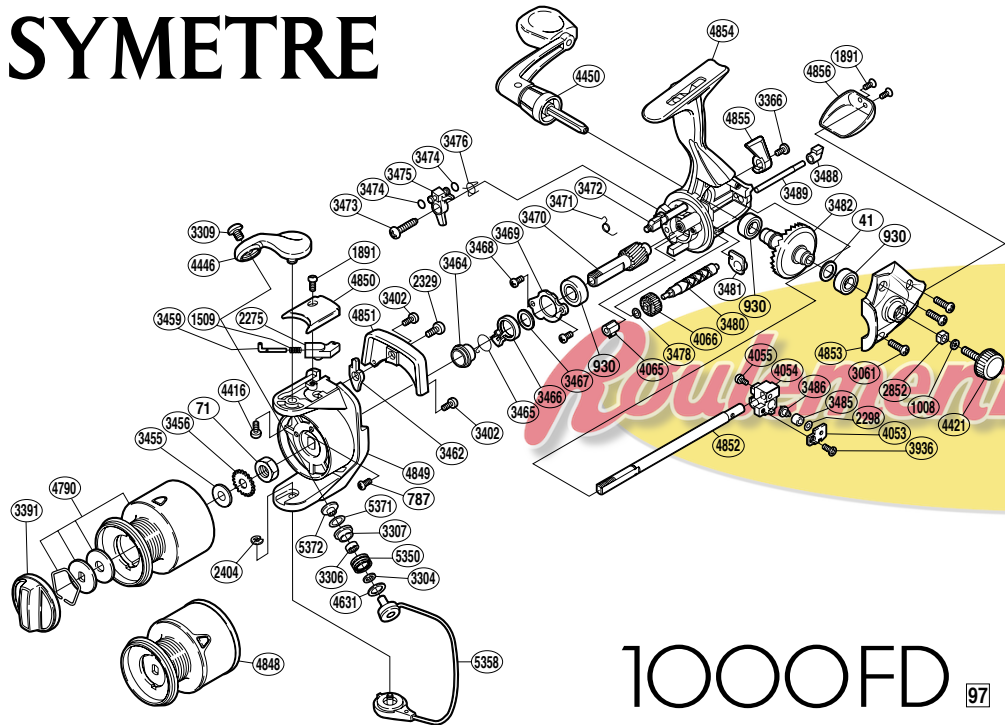


SYMETRE



1000FD

97

RD No.	PARTS NAMES	RD No.	PARTS NAMES	RD No.	PARTS NAMES
0041	Drive Gear Washer	3464	Lock Out Spring Holder	4055	Slider Retainer Screw
0071	Rotor Nut	3465	Anti-Reverse Lock Out Spring	4065	Worm Bearing
0787	Nut Lock Screw	3466	Anti-Reverse Lock Out	4066	Idle Gear
0930	Ball Bearing	3467	Bushing Washer	4416	Bail Arm Screw
1008	Handle Lock Washer	3468	Bearing Retainer Screw	4421	Handle Screw Cap
1509	Bail Spring	3469	Bearing Retainer	4446	Bail Arm
1891	Multi Purpose Screw	3470	Pinion Gear	4450	Handle Assembly
2275	Bail Spring Guide (B)	3471	Anti-Reverse Cam Spring	4631	Spacer
2298	Spacer	3472	Anti-Reverse Cam	4790	Spool Assembly (aluminum)
2329	Bail Trip Lever Screw	3473	Anti-Reverse Pawl Screw	4848	Spool Assembly (graphite)
2404	"E" Lock	3474	"O" Ring	4849	Rotor
2852	Handle Screw Lock	3475	Anti-Reverse Pawl	4850	Bail Spring Cover
3061	Side Cover Screw	3476	Anti-Reverse Pawl Spring	4851	Counterbalance Cover
3304	Bearing Spacer	3478	Worm Shaft Spacer	4852	Main Shaft
3306	Line Roller Bearing	3480	Worm Shaft	4853	Side Cover
3307	Line Roller Bushing	3481	Bushing	4854	Body
3309	Line Roller Screw	3482	Drive Gear	4855	Anti-Reverse Lever
3366	Anti-Reverse Lever Screw	3485	Oscillating Slider Bushing	4856	Rear Protector
3391	Drag Knob	3486	Oscillating Pawl	5350	Line Roller
3402	Cover Screw	3488	Oscillating Guide Holder	5358	Bail Assembly
3455	Spool Washer	3489	Oscillating Guide	5371	Spacer
3456	Spool Support	3936	Oscillating Pawl Cover Screw	5372	Line Roller Washer
3459	Bail Spring Guide (A)	4053	Oscillating Pawl Cover		
3462	Bail Trip Lever	4054	Oscillating Slider		

(080912)