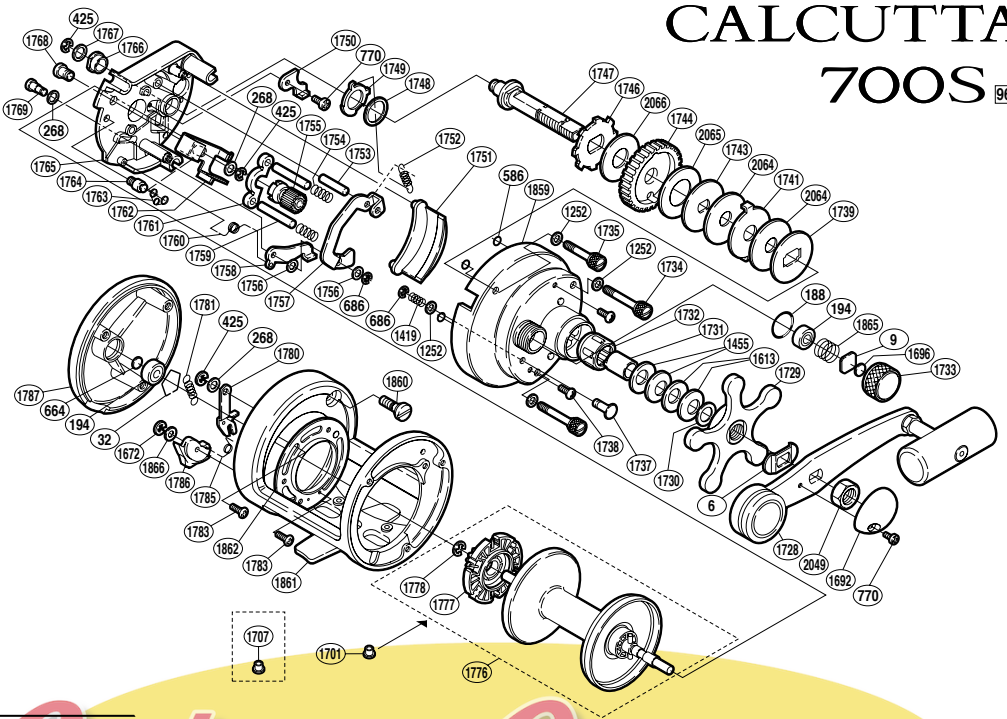


# CALCUTTA 700S 96



*RoulementCasting.com*

BNT No.	PARTS NAMES	BNT No.	PARTS NAMES	BNT No.	PARTS NAMES
0006	Friction Washer	1737	Pressure Rivet	1767	Drive Shaft Washer
0009	Cast Control Spacer (A)	1738	Set Plate (A) Screw	1768	Clutch Button Guide Pin
0032	Bearing Retainer	1739	Key Washer	1769	Clutch Pawl Pin
0188	"O" Ring	1741	Eared Washer (C)	1776	Spool Assembly
0194	Ball Bearing	1743	Key Washer (E)	1777	Click Gear Assembly
0268	Washer	1744	Drive Gear	1778	"E" Lock
0425	"E" Lock	1746	Anti-Reverse Ratchet	1780	Click Pawl
0586	Bolt Retainer	1747	Drive Shaft	1781	Click Spring
0664	Spacer (B)	1748	Retraction Cam Washer	1783	Left Side Plate Screw
0686	"E" Lock	1749	Retraction Cam	1785	Click Switch Spring
0770	Multi-Purpose Screw	1750	Cam Backing Plate	1786	Click Switch
1252	Right Side Plate Bolt Washer	1751	Plastic Gear Plate	1787	Left Side Plate
1419	Spring	1752	Clutch Retraction Spring	1859	Right Side Plate
1455	Drag Spring Washer (H)	1753	Pivot Pin	1860	Left Side Plate Bolt
1613	Drag Spring Washer (L)	1754	Yoke Spring	1861	One-Piece Frame
1672	"E" Lock	1755	Pinion Gear	1862	Set Plate (B)
1692	Handle Nut Plate	1756	Clutch Spacer	1865	Spool Tension Spring
1696	Cast Control Spacer (B)	1757	Clutch Plate	1866	Spacer
1701	Brake Collar (gray)	1758	Clutch Pawl	2049	Handle Nut
1728	Handle Assembly	1759	Yoke Pin	2064	Drag Washer (B)
1729	Star Drag	1760	Clutch Pawl Spring	2065	Drag Washer (F)
1730	Star Drag Washer	1761	Yoke	2066	Drag Washer (G)
1731	Roller Clutch Inner Tube	1762	Clutch Button		
1732	Roller Clutch Bearing	1763	Retractor Spring		
1733	Cast Control Cap	1764	Retractor Spring Pin		
1734	Right Side Plate Bolt (A)	1765	Set Plate (A)		
1735	Right Side Plate Bolt (B)	1766	Drive Shaft Bushing	1707	Brake Collar (clear)