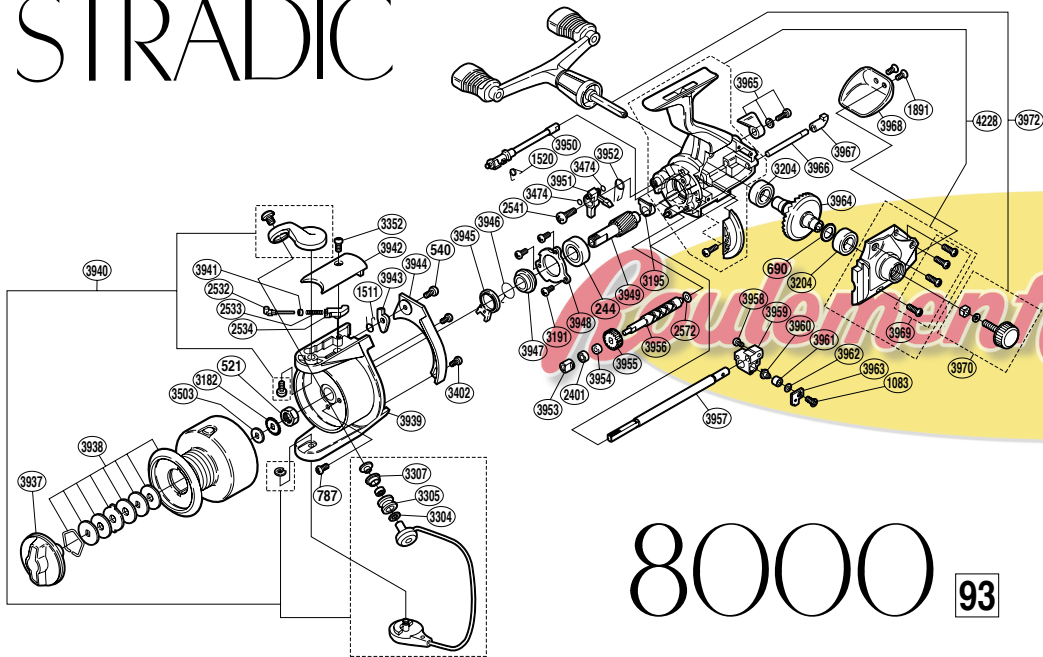


STRADIC



RD No.	PARTS NAMES	RD No.	PARTS NAMES	RD No.	PARTS NAMES
0244	Ball Bearing	3307	Line Roller Bushing	3953	Worm Bearing
0521	Rotor Nut	3352	Bail Spring Cover Screw	3954	Idle Gear Spacer
0540	Bail Trip Lever Screw	3402	Cover Screw	3955	Idle Gear
0690	Drive Gear Washer	3474	"O" Ring	3956	Worm Shaft
0787	Nut Lock Screw	3503	Spool Washer	3957	Main Shaft
1083	Oscillating Pawl Cover Screw	3937	Drag Knob	3958	Slider Retainer Screw
1511	Lever Spring	3938	Spool Assembly	3959	Oscillating Slider
1520	Anti-Reverse Cam Spring	3939	Rotor	3960	Oscillating Pawl
1891	Rear Protector Screw	3940	Bail Assembly	3961	Oscillating Slider Bushing
2401	Ball Bearing	3941	Bail Spring Spacer	3962	Spacer
2532	Bail Spring Guide (A)	3942	Bail Spring Cover	3963	Oscillating Pawl Cover
2533	Bail Spring	3943	Bail Trip Lever	3964	Drive Gear
2534	Bail Spring Guide (B)	3944	Counterbalance Cover	3965	Anti-Reverse Lever Assembly
2541	Anti-Reverse Pawl Screw	3945	Anti-Reverse Lock Out	3966	Oscillating Guide
2572	Worm Shaft Spacer	3946	Anti-Reverse Lock Out Spring	3967	Oscillating Guide Holder
3182	Spool Support	3947	Lock Out Spring Holder	3968	Rear Protector
3191	Bearing Retainer Screw	3948	Bearing Retainer	3969	Side Cover Screws
3195	Bushing	3949	Pinion Gear	3970	Handle Screw Cap Assembly
3204	Ball Bearing	3950	Anti-Reverse Cam	3972	Double Paddle Handle Assembly
3304	Bearing Spacer	3951	Anti-Reverse Pawl	4228	Body Assembly
3305	SiC Ceramic Roller	3952	Anti-Reverse Pawl Spring		