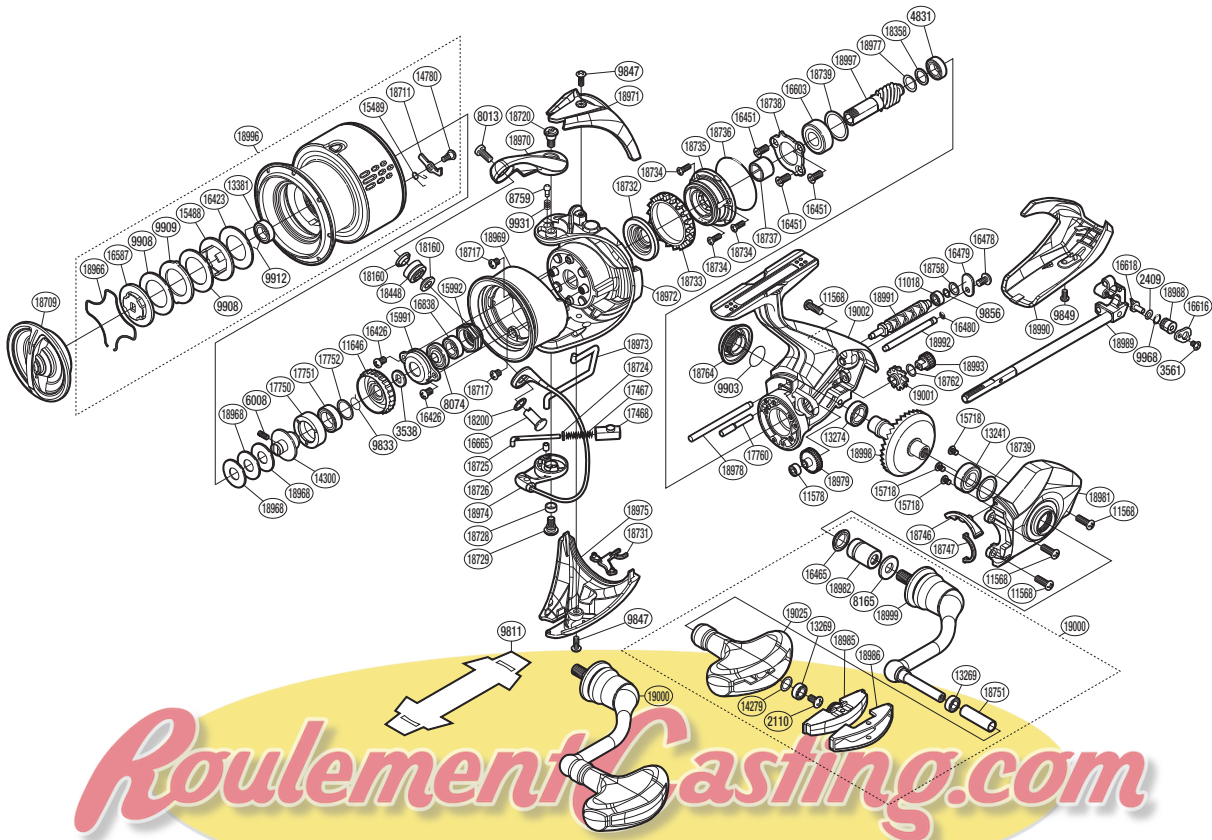


# SHIMANO

## STELLA S A-RB

## STL-4000XG



\* (18735) Please send the equipment out to after-sales service for replacement of the roller clutch assembly.

Please note that the number of adjusting washers may not be the same as shown in the exploded views.

(51SF14H043X) (Adjustment will vary with each individual product.)

Part No.	Description	Part No.	Description	Part No.	Description
RD 2110	Screw	RD16478	Screw	RD18758	Washer ***
RD 2409	Spacer ***	RD16479	Worm Shaft Retainer	RD18762	Washer *
RD 3538	Spool Support	RD16480	O Ring	RD18764	Handle Screw Cap
RD 3561	Screw	RD16587	Key Washer	RD18966	Drag Washers Retainer
RD 4831	Ball Bearing **	RD16603	Ball Bearing **	RD18968	Spool Washer
RD 6008	Set Screw	RD16616	Oscillating Pawl Cover	RD18969	Rotor Brim
RD 8013	Screw ****	RD16618	Oscillating Pawl ***	RD18970	Bail Arm
RD 8074	Bearing Water Proof	RD16665	Line Roller Support ****	RD18971	Bail Spring Cover
RD 8165	Washer	RD16838	Main Shaft Spacer	RD18972	Rotor Assembly
RD 8759	Click Pin	RD17467	Bail Spring	RD18973	Bail Trip Lever
RD 9833	Ratchet Spring	RD17468	Bail Spring Guide B	RD18974	Bail Assembly
RD 9847	Screw	RD17750	Bearing Housing	RD18975	Bail Hold Support Guard
RD 9849	Screw	RD17751	Ball Bearing	RD18977	Washer **
RD 9856	Washer ***	RD17752	Washer	RD18978	Oscillating Guide A
RD 9903	O Ring	RD17760	Idle Gear B Shaft	RD18979	Idle Gear *
RD 9908	Drag Washer	RD18160	Bearing Spacer ****	RD18981	Side Cover Assembly
RD 9909	Eared Washer	RD18200	Washer ****	RD18982	Handle Shaft Cover B
RD 9912	Bearing Retainer	RD18358	Washer **	RD18985	Handle Knob Seal
RD 9931	Click Spring	RD18448	Line Roller Set (With Bearing) ****	RD18986	Handle Knob I.D. Plate
RD 9968	O Ring ***	RD18709	Drag Knob Assembly	RD18988	Oscillating Slider Bushing
RD11018	Ball Bearing ***	RD18711	Drag Click	RD18989	Main Shaft Assembly
RD11568	Screw	RD18717	Screw	RD18990	Rear Protector
RD11578	Ball Bearing ***	RD18720	Screw	RD18991	Worm Shaft ***
RD11646	Drag Click Ratchet	RD18724	Spring Guide A Support	RD18992	Oscillating Guide B
RD13241	Ball Bearing **	RD18725	Bail Spring Guide A	RD18993	Idle Gear (Small) *
RD13269	Ball Bearing	RD18726	Bail Spring Guide A Bush	RD18996	Spool Assembly
RD13274	Ball Bearing **	RD18728	Bail Trip Cam Bushing	RD18997	Pinion Gear *
RD13381	Ball Bearing	RD18729	Screw	RD18998	Drive Gear *
RD14279	Washer	RD18731	Rotor Side Cover	RD18999	Handle Shank Assembly
RD14300	Bearing Bushing	RD18732	Rotor Ring	RD19000	Handle Assembly
RD14780	Screw	RD18733	Friction Ring	RD19001	Idle Gear (Large) *
RD15488	Key Washer	RD18734	Screw	RD19002	Body Assembly
RD15489	Drag Click Spring	RD18735	Roller Clutch Assembly	RD19025	Handle Knob
RD15718	Screw **	RD18736	O Ring		
RD15991	Rotor Nut Lock Plate	RD18737	Roller Clutch Inner	RD 9811	Reel Seat Spacer (accessory)
RD15992	Rotor Nut	RD18738	Bearing Retainer		
RD16423	Drag Washer	RD18739	Washer **/**	PK 0456	Gear Set *
RD16426	Screw	RD18746	Bail Trip Strike	PK 0454	Bearing Set ***
RD16451	Screw	RD18747	Flange Water Proof	PK 0455	Oscillation Set ***
RD16465	Handle Shaft Seal	RD18751	Handle Knob Pipe	PK 0450	Line Roller Set ****