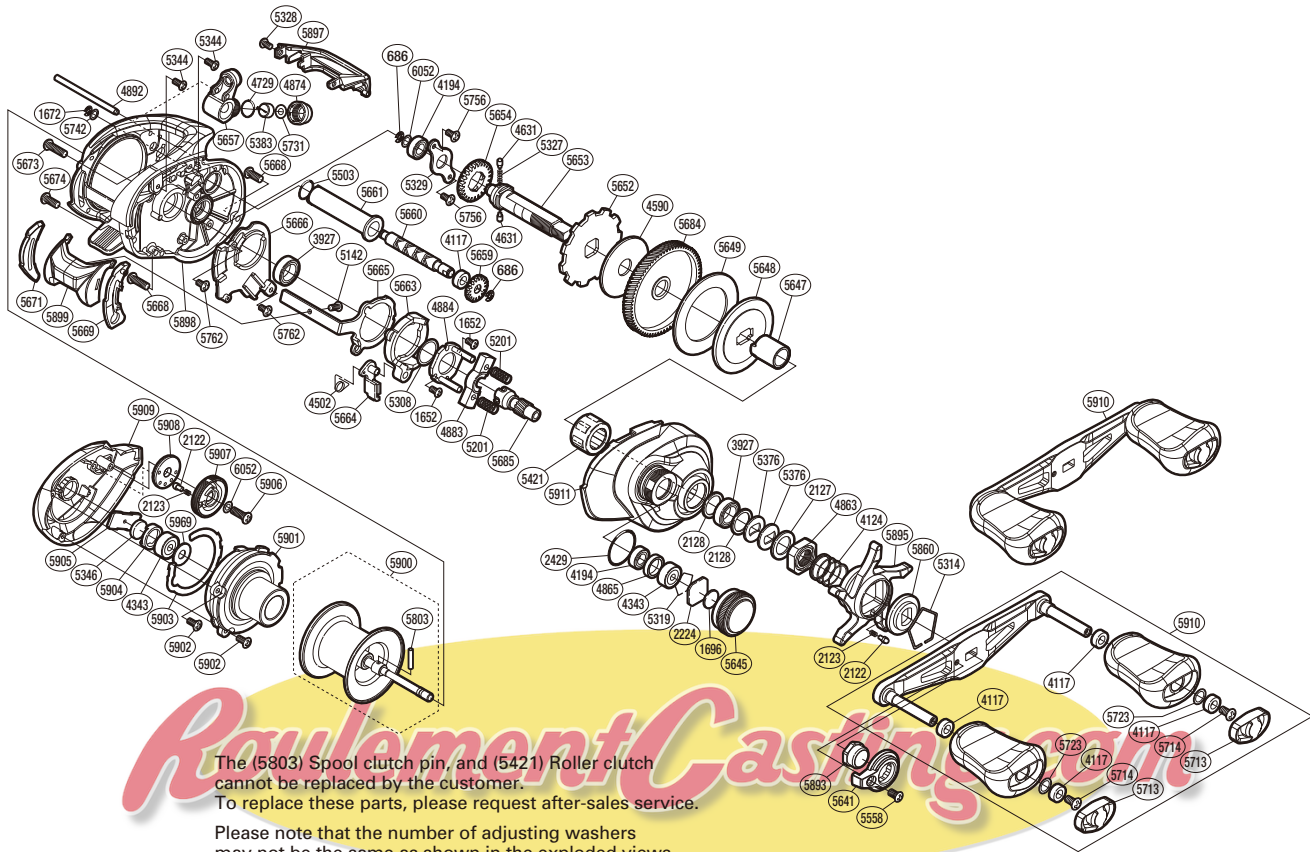


# SHIMANO

**CURADO DC** S A-RB

**CUDC150HG**



The (5803) Spool clutch pin, and (5421) Roller clutch cannot be replaced by the customer.  
To replace these parts, please request after-sales service.

Please note that the number of adjusting washers may not be the same as shown in the exploded views.  
(Adjustment will vary with each individual product.)

(51RH39N150X)

Part No.	Description	Part No.	Description	Part No.	Description
BNT0686	E Lock	BNT5328	Screw	BNT5685	Pinion Gear
BNT1652	Screw	BNT5329	Drive Shaft Retainer	BNT5713	Handle Knob Seal
BNT1672	E Lock	BNT5344	Screw	BNT5714	Screw
BNT1696	Cast Control Spacer	BNT5346	Spacer B	BNT5723	Washer
BNT2122	Click Pin	BNT5376	Drag Spring Washer	BNT5731	Spacer
BNT2123	Click Spring	BNT5383	Line Guide Pawl	BNT5742	Washer
BNT2127	Star Drag Spacer	BNT5421	Roller Clutch Bearing	BNT5756	Screw
BNT2128	Washer	BNT5503	O Ring	BNT5762	Screw
BNT2224	Spool Tension Spacer	BNT5558	Screw	BNT5803	Spool Clutch Pin
BNT2429	O Ring	BNT5641	Handle Nut Plate	BNT5860	Star Drag Click Plate
BNT3927	Ball Bearing	BNT5645	Cast Control Cap	BNT5893	Handle Nut
BNT4117	Bushing	BNT5647	Roller Clutch Inner Tube	BNT5895	Star Drag
BNT4124	Star Drag Spring	BNT5648	Key Washer	BNT5897	Level Wind Protector
BNT4194	Ball Bearing	BNT5649	Drag Washer	BNT5898	Frame Assembly
BNT4343	Ball Bearing	BNT5652	Anti-Reverse Ratchet	BNT5899	Clutch Button
BNT4502	Clutch Pawl Spring	BNT5653	Drive Shaft	BNT5900	Spool Assembly
BNT4590	Drag Washer	BNT5654	Idle Gear	BNT5901	B Side Plate Substrate
BNT4631	Idle Gear Pin	BNT5657	Line Guide Assembly	BNT5902	Screw
BNT4729	O Ring	BNT5659	Idle Gear	BNT5903	Washer
BNT4863	Star Drag Nut	BNT5660	Worm Shaft	BNT5904	Bearing Retainer
BNT4865	Bearing Spacer	BNT5661	Level Wind Guard	BNT5905	Spool Shaft Spacer
BNT4874	Pawl Cap	BNT5663	Clutch Cam	BNT5906	Screw
BNT4883	Yoke	BNT5664	Clutch Pawl Assembly	BNT5907	Brake Dial
BNT4884	Clutch Cam Retainer	BNT5665	Clutch Plate	BNT5908	Click Ring
BNT4892	Stabilizer Bar	BNT5666	Clutch Guard	BNT5909	Left Side Plate
BNT5142	Screw	BNT5668	Screw	BNT5910	Handle Assembly
BNT5201	Yoke Spring	BNT5669	Clutch Bar Guide B	BNT5911	Right Side Plate
BNT5308	Washer	BNT5671	Clutch Bar Guide A	BNT5969	Bearing Seal
BNT5314	Click Plate Retainer	BNT5673	Screw	BNT6052	Washer
BNT5319	Bearing Retainer	BNT5674	Screw		
BNT5327	Idle Gear Spring	BNT5684	Drive Gear	BNT4692	B-100 Oil (Accessory)