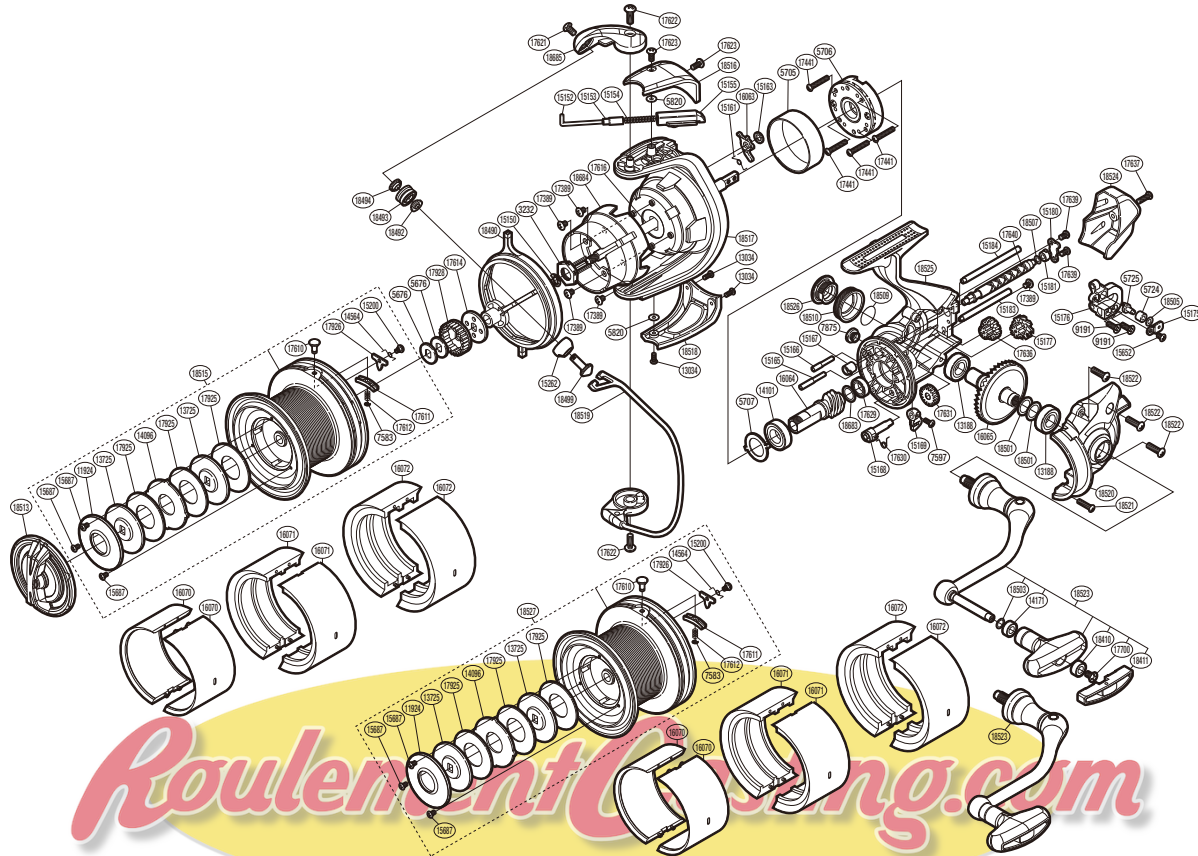


SHIMANO

ULTEGRA CI4+ S A-RB

ULTCI414000XTC



Please note that the number of adjusting washers may not be the same as shown in the exploded views. (Adjustment will vary with each individual product.)

(51SH489002X)

Part No.	Description	Part No.	Description	Part No.	Description
RD 3232	Rotor Nut	RD15181	Worm Bushing (Rear)	RD18494	Line Roller Spacer
RD 5676	Spool Washer	RD15183	Oscillating Guide A	RD18499	Line Roller Support
RD 5705	Roller Clutch Ring	RD15184	Oscillating Guide B	RD18501	Washer
RD 5706	Roller Clutch Assembly	RD15200	Screw	RD18503	Washer
RD 5707	Bearing Washer	RD15262	Line Roller Support Cover	RD18505	Washer
RD 5724	Oscillating Slider Bushing	RD15652	Screw	RD18507	Washer
RD 5725	Oscillating Pawl	RD15687	Screw	RD18509	O Ring
RD 5820	Washer	RD16063	Bail Trip Lever	RD18510	Handle Screw Cap Holder
RD 7583	E Lock	RD16064	Pinion Gear	RD18513	Drag Knob Assembly
RD 7597	Screw	RD16065	Drive Gear	RD18515	Spool Assembly
RD 7875	Oil Cap	RD17389	Screw	RD18516	Bail Spring Cover
RD 9191	Screw	RD17441	Screw	RD18517	Rotor
RD11924	Seal Plate	RD17610	Line Clip	RD18518	Bail Hold Support Guard
RD13034	Screw	RD17611	Line Clip Holder	RD18519	Bail Assembly
RD13188	Ball Bearing	RD17612	Line Clip Spring	RD18520	Side Cover
RD13725	Key Washer	RD17614	Spool Support B	RD18521	Screw
RD14096	Eared Washer	RD17616	Main Shaft	RD18522	Screw
RD14101	Ball Bearing	RD17621	Screw	RD18523	Handle Assembly
RD14171	Handle Knob Bushing B	RD17622	Screw	RD18524	Rear Protector
RD14564	Click Spring	RD17623	Screw	RD18525	Body Assembly
RD15150	E Lock	RD17629	Ball Bearing	RD18526	Handle Screw Cap
RD15152	Bail Spring Guide A	RD17630	Anti-Reverse Cam Spring	RD18683	Washer
RD15153	Bail Spring Guide A Support	RD17631	Idle Gear	RD18684	Rotor Brim
RD15154	Bail Spring	RD17636	Idle Gear C	RD18685	Bail Arm
RD15155	Bail Spring Guide B	RD17637	Screw		
RD15161	Lever Spring	RD17639	Screw	RD18527	Spare Spool Assembly (Accessory)
RD15163	Washer	RD17640	Worm Shaft		
RD15165	Idle Gear B Shaft	RD17700	Screw	RD16070	Spool Economizer A (10000) (Accessory)
RD15166	Idle Gear C Shaft	RD17925	Drag Washer	RD16071	Spool Economizer B (6000) (Accessory)
RD15167	Worm Bushing (Front)	RD17926	Drag Click	RD16072	Spool Economizer C (3500) (Accessory)
RD15168	Anti-Reverse Cam	RD17928	Spool Support A		
RD15169	Anti-Reverse Lever	RD18410	Handle Knob Bushing A		
RD15175	Oscillating Pawl Cover	RD18411	Handle Knob Seal	PK 0444	Line Roller Set
RD15176	Oscillating Slider	RD18490	Line Safety Guard Assembly	PK 0443	Gear Set
RD15177	Idle Gear B	RD18492	Line Roller Collar	PK 0445	Oscillation Set
RD15180	Worm Shaft Retainer	RD18493	Line Roller Assembly	PK 0446	Bearing Set