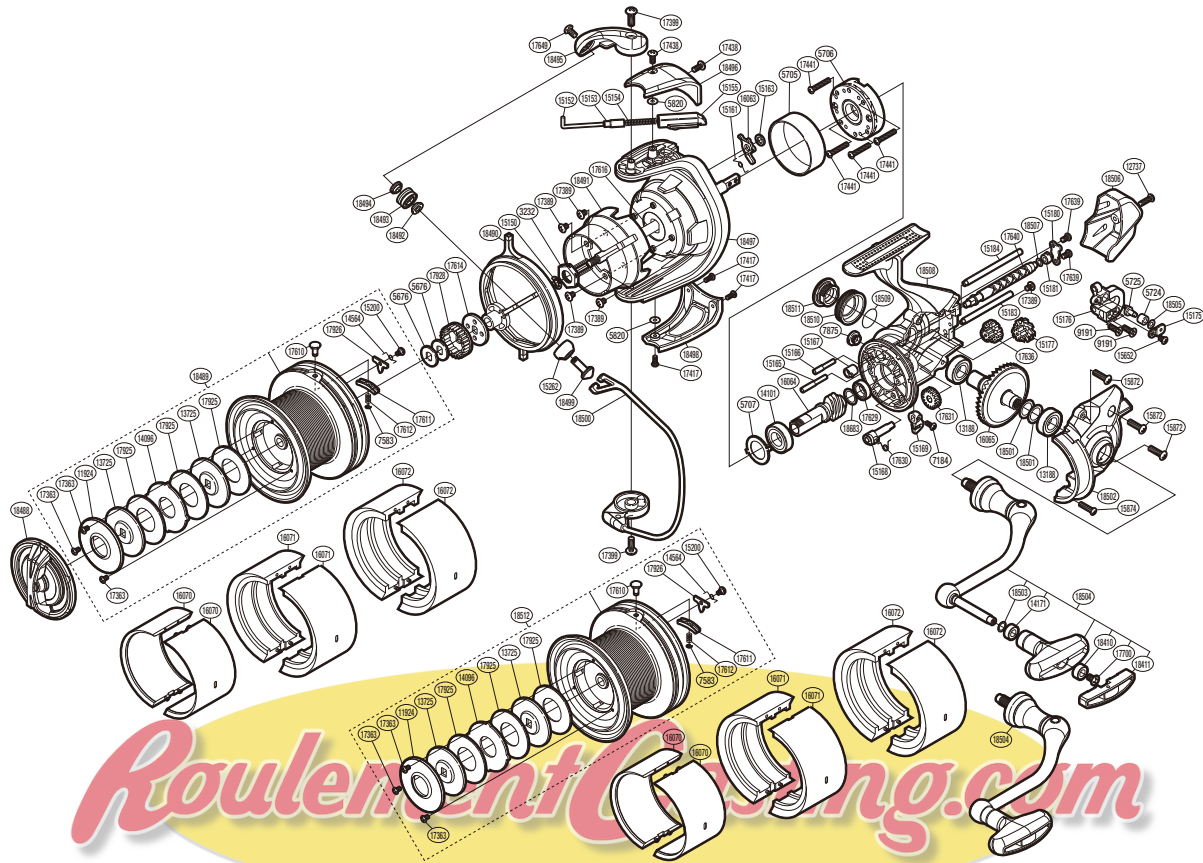


# SHIMANO

## ULTEGRA CI4+ SA-RB ULTCI414000XSC



Please note that the number of adjusting washers may not be the same as shown in the exploded views. (Adjustment will vary with each individual product.)

(51SH479002X)

Part No.	Description	Part No.	Description	Part No.	Description
RD 3232	Rotor Nut	RD15181	Worm Bushing (Rear)	RD18489	Spool Assembly
RD 5676	Spool Washer	RD15183	Oscillating Guide A	RD18490	Line Safety Guard Assembly
RD 5705	Roller Clutch Ring	RD15184	Oscillating Guide B	RD18491	Rotor Brim
RD 5706	Roller Clutch Assembly	RD15200	Screw	RD18492	Line Roller Collar
RD 5707	Bearing Washer	RD15262	Line Roller Support Cover	RD18493	Line Roller Assembly
RD 5724	Oscillating Slider Bushing	RD15652	Screw	RD18494	Line Roller Spacer
RD 5725	Oscillating Pawl	RD15872	Screw	RD18495	Bail Arm
RD 5820	Washer	RD15874	Screw	RD18496	Bail Spring Cover
RD 7184	Screw	RD16063	Bail Trip Lever	RD18497	Rotor
RD 7583	E Lock	RD16064	Pinion Gear	RD18498	Bail Hold Support Guard
RD 7875	Oil Cap	RD16065	Drive Gear	RD18499	Line Roller Support
RD 9191	Screw	RD17363	Screw	RD18500	Bail Assembly
RD11924	Seal Plate	RD17389	Screw	RD18501	Washer
RD12737	Screw	RD17399	Screw	RD18502	Side Cover
RD13188	Ball Bearing	RD17417	Screw	RD18503	Washer
RD13725	Key Washer	RD17438	Screw	RD18504	Handle Assembly
RD14096	Eared Washer	RD17441	Screw	RD18505	Washer
RD14101	Ball Bearing	RD17610	Line Clip	RD18506	Rear Protector
RD14171	Handle Knob Bushing B	RD17611	Line Clip Holder	RD18507	Washer
RD14564	Click Spring	RD17612	Line Clip Spring	RD18508	Body Assembly
RD15150	E Lock	RD17614	Spool Support B	RD18509	O Ring
RD15152	Bail Spring Guide A	RD17616	Main Shaft	RD18510	Handle Screw Cap Holder
RD15153	Bail Spring Guide A Support	RD17629	Ball Bearing	RD18511	Handle Screw Cap
RD15154	Bail Spring	RD17630	Anti-Reverse Cam Spring	RD18683	Washer
RD15155	Bail Spring Guide B	RD17631	Idle Gear		
RD15161	Lever Spring	RD17636	Idle Gear C	RD18512	Spare Spool Assembly (Accessory)
RD15163	Washer	RD17639	Screw		
RD15165	Idle Gear B Shaft	RD17640	Worm Shaft	RD16070	Spool Economizer A (10000) (Accessory)
RD15166	Idle Gear C Shaft	RD17649	Screw	RD16071	Spool Economizer B (6000) (Accessory)
RD15167	Worm Bushing (Front)	RD17700	Screw	RD16072	Spool Economizer C (3500) (Accessory)
RD15168	Anti-Reverse Cam	RD17925	Drag Washer		
RD15169	Anti-Reverse Lever	RD17926	Drag Click		
RD15175	Oscillating Pawl Cover	RD17928	Spool Support A	PK 0442	Line Roller Set
RD15176	Oscillating Slider	RD18410	Handle Knob Bushing A	PK 0443	Gear Set
RD15177	Idle Gear B	RD18411	Handle Knob Seal	PK 0445	Oscillation Set
RD15180	Worm Shaft Retainer	RD18488	Drag Knob Assembly	PK 0446	Bearing Set