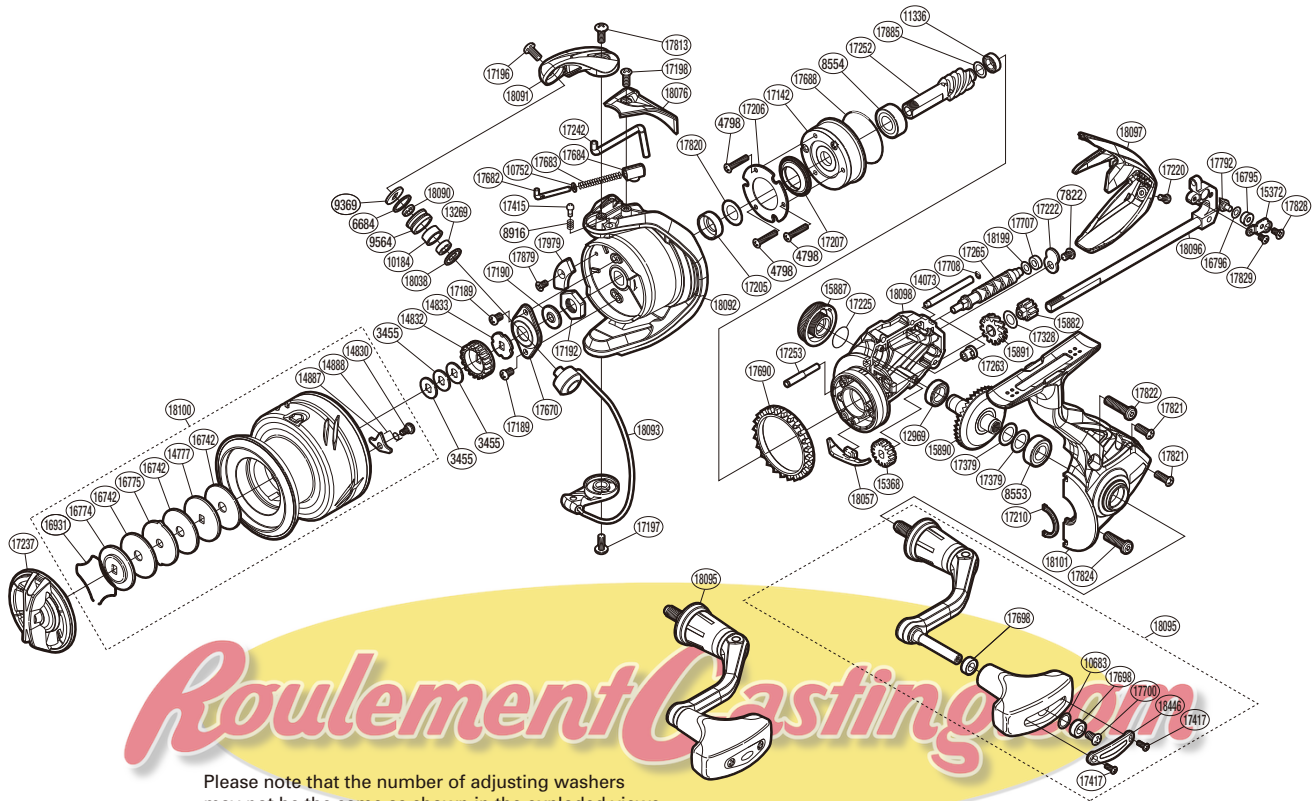


SHIMANO

ULTEGRA S A-RB

ULT-C5000XGFB



Please note that the number of adjusting washers may not be the same as shown in the exploded views.
(51SF03H049X) (Adjustment will vary with each individual product.)

| Part No. | Description | Part No. | Description | Part No. | Description |
|----------|--------------------------------|----------|---------------------------|----------|---------------------------|
| RD 3455 | Spool Washer | RD17142 | Roller Clutch Assembly | RD17792 | Oscillating Pawl *** |
| RD 4798 | Screw | RD17189 | Screw | RD17813 | Screw |
| RD 6684 | Line Roller Spacer * | RD17190 | Bearing Water Proof | RD17820 | Washer |
| RD 7822 | Screw | RD17192 | Rotor Nut | RD17821 | Screw |
| RD 8553 | Ball Bearing **** | RD17196 | Screw * | RD17822 | Screw |
| RD 8554 | Ball Bearing **** | RD17197 | Screw | RD17824 | Screw |
| RD 8916 | Click Spring | RD17198 | Screw | RD17828 | Screw |
| RD 9369 | Washer * | RD17205 | Rotor Ring | RD17829 | Screw |
| RD 9564 | Line Roller * | RD17206 | Roller Clutch Reinforce | RD17879 | Screw |
| RD10184 | Line Roller Bushing * | RD17207 | Roller Clutch Water Proof | RD17885 | Washer **** |
| RD10683 | Washer | RD17210 | Flange Water Proof | RD17979 | Counter Weight A |
| RD10752 | Bail Spring Guide A Support | RD17220 | Screw | RD18038 | Line Roller Support (B) * |
| RD11336 | Ball Bearing **** | RD17222 | Worm Shaft Retainer | RD18057 | Bail Trip Strike |
| RD12969 | Ball Bearing **** | RD17225 | O Ring | RD18076 | Bail Spring Cover |
| RD13269 | Ball Bearing * | RD17237 | Drag Knob | RD18090 | Bearing Spacer * |
| RD14073 | Oscillating Guide | RD17242 | Bail Trip Lever | RD18091 | Bail Arm |
| RD14777 | Key Washer | RD17252 | Pinion Gear ** | RD18092 | Rotor |
| RD14830 | Screw | RD17253 | Idle Gear B Shaft | RD18093 | Bail Assembly |
| RD14832 | Spool Support A | RD17263 | Worm Bushing (Front) *** | RD18095 | Handle Assembly |
| RD14833 | Spool Support B | RD17265 | Worm Shaft *** | RD18096 | Main Shaft Assembly |
| RD14887 | Drag Click | RD17328 | Washer ** | RD18097 | Rear Protector |
| RD14888 | Click Spring | RD17379 | Washer **/**** | RD18098 | Body |
| RD15368 | Idle Gear ** | RD17415 | Click Pin | RD18100 | Spool Assembly |
| RD15372 | Oscillating Pawl Cover | RD17417 | Screw | RD18101 | Side Cover |
| RD15882 | Idle Gear B (Small) ** | RD17670 | Rotor Nut Lock Plate | RD18199 | Washer *** |
| RD15887 | Handle Screw Cap | RD17682 | Bail Spring Guide A | RD18446 | Handle Knob I.D. Plate |
| RD15890 | Drive Gear ** | RD17683 | Bail Spring | | |
| RD15891 | Idle Gear B (Large) ** | RD17684 | Bail Spring Seat | RD18054 | Anti Line Slip Sticker |
| RD16742 | Drag Washer | RD17688 | O Ring | | |
| RD16774 | Key Washer | RD17690 | Friction Ring | | |
| RD16775 | Eared Washer | RD17698 | Handle Knob Bushing | PK 0429 | Line Roller Set * |
| RD16795 | Oscillating Slider Bushing *** | RD17700 | Screw | PK 0335 | Gear Set ** |
| RD16796 | Spacer *** | RD17707 | Worm Bushing *** | PK 0418 | Oscillation Set *** |
| RD16931 | Drag Washers Retainer | RD17708 | O Ring | PK 0433 | Bearing Set **** |