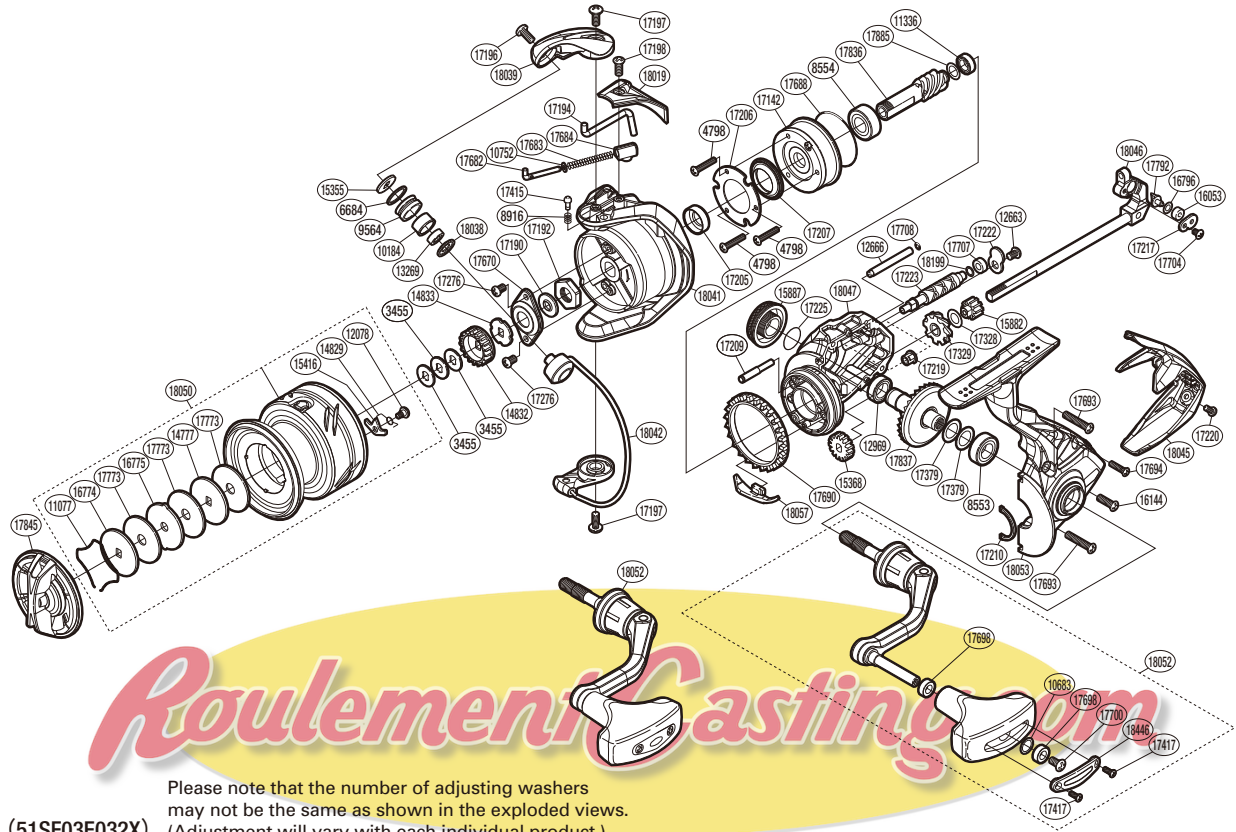


SHIMANO

ULTEGRA S A-RB

ULT-C3000HGFB



Please note that the number of adjusting washers may not be the same as shown in the exploded views.

(51SF03E032X) (Adjustment will vary with each individual product.)

Part No.	Description	Part No.	Description	Part No.	Description
RD 3455	Spool Washer	RD17190	Bearing Water Proof	RD17700	Screw
RD 4798	Screw	RD17192	Rotor Nut	RD17704	Screw
RD 6684	Line Roller Spacer *	RD17194	Bail Trip Lever	RD17707	Worm Bushing ***
RD 8553	Ball Bearing ****	RD17196	Screw *	RD17708	O Ring
RD 8554	Ball Bearing ****	RD17197	Screw	RD17773	Drag Washer
RD 8916	Click Spring	RD17198	Screw	RD17792	Oscillating Pawl ***
RD 9564	Line Roller *	RD17205	Rotor Ring	RD17836	Pinion Gear **
RD10184	Line Roller Bushing *	RD17206	Roller Clutch Reinforce	RD17837	Drive Gear **
RD10683	Washer	RD17207	Roller Clutch Water Proof	RD17845	Drag Knob
RD10752	Bail Spring Guide A Support	RD17209	Idle Gear B Shaft	RD17885	Washer ****
RD11077	Drag Washers Retainer	RD17210	Flange Water Proof	RD18019	Bail Spring Cover
RD11336	Ball Bearing ****	RD17217	Oscillating Pawl Cover	RD18038	Line Roller Support (B) *
RD12078	Screw	RD17219	Worm Bushing (Front) ***	RD18039	Bail Arm
RD12663	Screw	RD17220	Screw	RD18041	Rotor
RD12666	Oscillating Guide A	RD17222	Worm Shaft Retainer	RD18042	Bail Assembly
RD12969	Ball Bearing ****	RD17223	Worm Shaft ***	RD18045	Rear Protector
RD13269	Ball Bearing *	RD17225	O Ring	RD18046	Main Shaft Assembly
RD14777	Key Washer	RD17276	Screw	RD18047	Body
RD14829	Drag Click Spring	RD17328	Washer **	RD18050	Spool Assembly
RD14832	Spool Support A	RD17329	Idle Gear B (Large) **	RD18052	Handle Assembly
RD14833	Spool Support B	RD17379	Washer **/****	RD18053	Side Cover
RD15355	Line Roller Washer *	RD17415	Click Pin	RD18057	Bail Trip Strike
RD15368	Idle Gear **	RD17417	Screw	RD18199	Washer ***
RD15416	Drag Click	RD17670	Rotor Nut Lock Plate	RD18446	Handle Knob I.D. Plate
RD15882	Idle Gear B (Small) **	RD17682	Bail Spring Guide A		
RD15887	Handle Screw Cap	RD17683	Bail Spring	RD18054	Anti Line Slip Sticker
RD16053	Oscillating Slider Bushing ***	RD17684	Bail Spring Seat		
RD16144	Screw	RD17688	O Ring		
RD16774	Key Washer	RD17690	Friction Ring	PK 0432	Line Roller Set *
RD16775	Eared Washer	RD17693	Screw	PK 0398	Gear Set **
RD16796	Spacer ***	RD17694	Screw	PK 0416	Oscillation Set ***
RD17142	Roller Clutch Assembly	RD17698	Handle Knob Bushing	PK 0433	Bearing Set ****