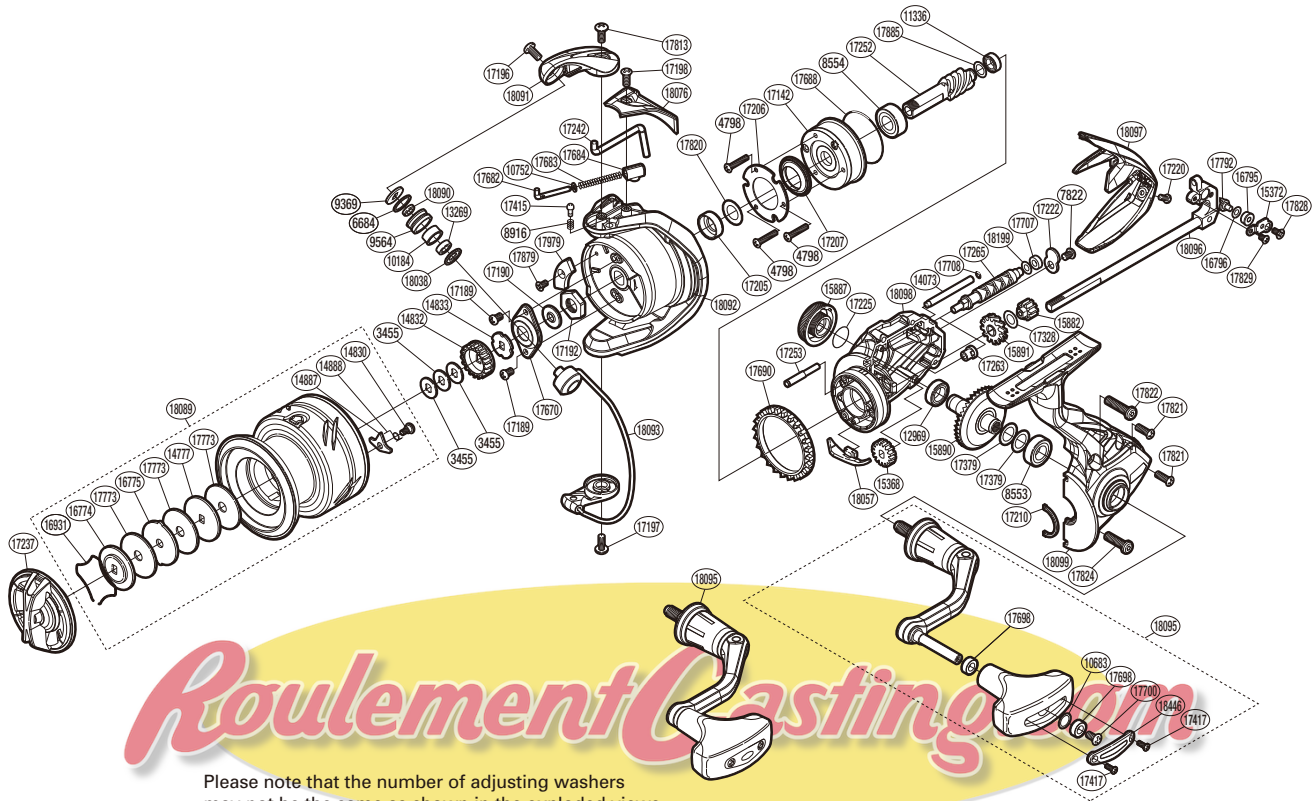


# SHIMANO

ULTEGRA S A-RB

ULT-4000XGFB



Please note that the number of adjusting washers may not be the same as shown in the exploded views.

(51SF03H043X) (Adjustment will vary with each individual product.)

Part No.	Description	Part No.	Description	Part No.	Description
RD 3455	Spool Washer	RD17189	Screw	RD17792	Oscillating Pawl ***
RD 4798	Screw	RD17190	Bearing Water Proof	RD17813	Screw
RD 6684	Line Roller Spacer *	RD17192	Rotor Nut	RD17820	Washer
RD 7822	Screw	RD17196	Screw *	RD17821	Screw
RD 8553	Ball Bearing ****	RD17197	Screw	RD17822	Screw
RD 8554	Ball Bearing ****	RD17198	Screw	RD17824	Screw
RD 8916	Click Spring	RD17205	Rotor Ring	RD17828	Screw
RD 9369	Washer *	RD17206	Roller Clutch Reinforce	RD17829	Screw
RD 9564	Line Roller *	RD17207	Roller Clutch Water Proof	RD17879	Screw
RD10184	Line Roller Bushing *	RD17210	Flange Water Proof	RD17885	Washer ****
RD10683	Washer	RD17220	Screw	RD17979	Counter Weight A
RD10752	Bail Spring Guide A Support	RD17222	Worm Shaft Retainer	RD18038	Line Roller Support (B) *
RD11336	Ball Bearing ****	RD17225	O Ring	RD18057	Bail Trip Strike
RD12969	Ball Bearing ****	RD17237	Drag Knob	RD18076	Bail Spring Cover
RD13269	Ball Bearing *	RD17242	Bail Trip Lever	RD18089	Spool Assembly
RD14073	Oscillating Guide	RD17252	Pinion Gear **	RD18090	Bearing Spacer *
RD14777	Key Washer	RD17253	Idle Gear B Shaft	RD18091	Bail Arm
RD14830	Screw	RD17263	Worm Bushing (Front) ***	RD18092	Rotor
RD14832	Spool Support A	RD17265	Worm Shaft ***	RD18093	Bail Assembly
RD14833	Spool Support B	RD17328	Washer **	RD18095	Handle Assembly
RD14887	Drag Click	RD17379	Washer **/****	RD18096	Main Shaft Assembly
RD14888	Click Spring	RD17415	Click Pin	RD18097	Rear Protector
RD15368	Idle Gear **	RD17417	Screw	RD18098	Body
RD15372	Oscillating Pawl Cover	RD17670	Rotor Nut Lock Plate	RD18099	Side Cover
RD15882	Idle Gear B (Small) **	RD17682	Bail Spring Guide A	RD18199	Washer ***
RD15887	Handle Screw Cap	RD17683	Bail Spring	RD18446	Handle Knob I.D. Plate
RD15890	Drive Gear **	RD17684	Bail Spring Seat		
RD15891	Idle Gear B (Large) **	RD17688	O Ring	RD18054	Anti Line Slip Sticker
RD16774	Key Washer	RD17690	Friction Ring		
RD16775	Eared Washer	RD17698	Handle Knob Bushing		
RD16795	Oscillating Slider Bushing ***	RD17700	Screw	PK 0429	Line Roller Set *
RD16796	Spacer ***	RD17707	Worm Bushing ***	PK 0335	Gear Set **
RD16931	Drag Washers Retainer	RD17708	O Ring	PK 0418	Oscillation Set ***
RD17142	Roller Clutch Assembly	RD17773	Drag Washer	PK 0433	Bearing Set ****