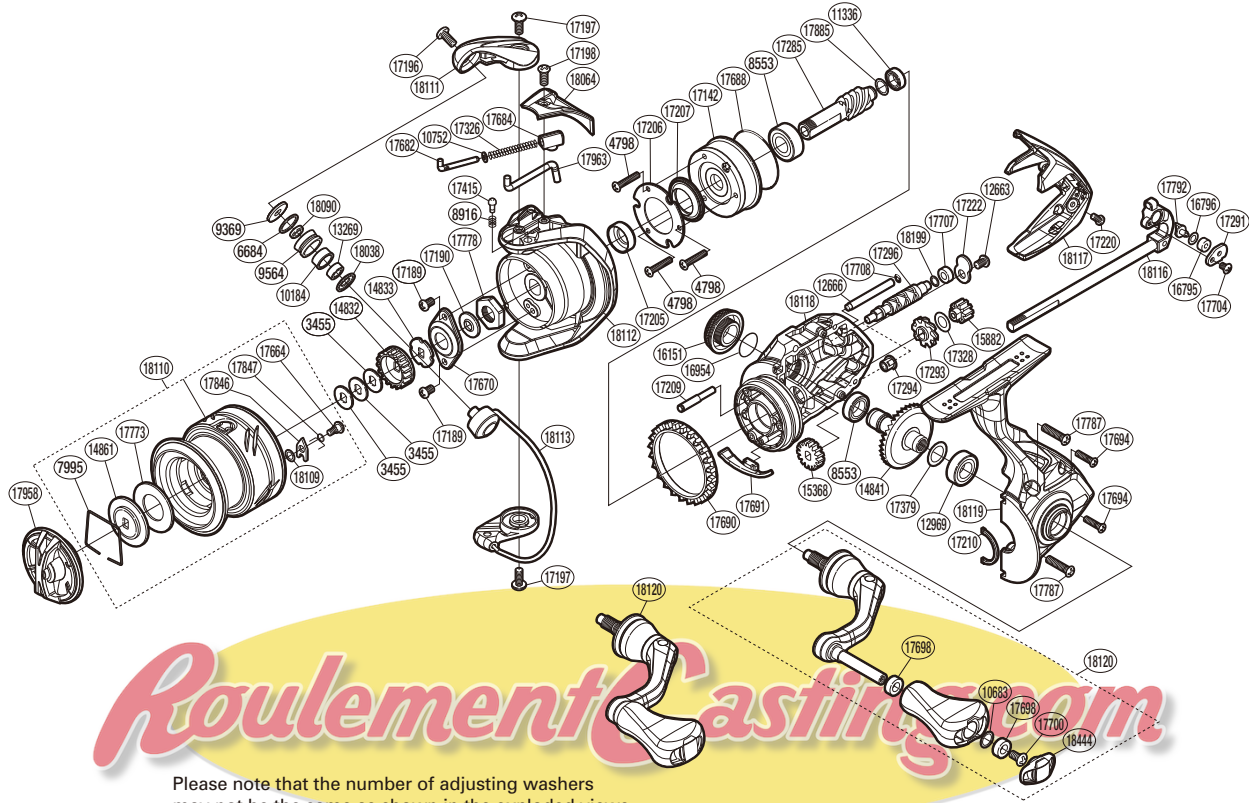


SHIMANO

ULTEGRA S A-RB

ULT-1000HGFB



Please note that the number of adjusting washers may not be the same as shown in the exploded views.

(51SF03B010X) (Adjustment will vary with each individual product.)

Part No.	Description	Part No.	Description	Part No.	Description
RD 3455	Spool Washer	RD17198	Screw	RD17778	Rotor Nut
RD 4798	Screw	RD17205	Rotor Ring	RD17787	Screw
RD 6684	Line Roller Spacer *	RD17206	Roller Clutch Reinforce	RD17792	Oscillating Pawl ***
RD 7995	Drag Washers Retainer	RD17207	Roller Clutch Water Proof	RD17846	Drag Click
RD 8553	Ball Bearing ****	RD17209	Idle Gear B Shaft	RD17847	Drag Click Spring
RD 8916	Click Spring	RD17210	Flange Water Proof	RD17885	Washer ****
RD 9369	Washer *	RD17220	Screw	RD17958	Drag Knob
RD 9564	Line Roller *	RD17222	Worm Shaft Retainer	RD17963	Bail Trip Lever
RD10184	Line Roller Bushing *	RD17285	Pinion Gear **	RD18038	Line Roller Support (B) *
RD10683	Washer	RD17291	Oscillating Pawl Cover	RD18064	Bail Spring Cover
RD10752	Bail Spring Guide A Support	RD17293	Idle Gear B (Large) **	RD18090	Bearing Spacer *
RD11336	Ball Bearing ****	RD17294	Worm Bushing (Front) ***	RD18109	Washer
RD12663	Screw	RD17296	Worm Shaft ***	RD18110	Spool Assembly
RD12666	Oscillating Guide A	RD17326	Bail Spring	RD18111	Bail Arm
RD12969	Ball Bearing ****	RD17328	Washer **	RD18112	Rotor
RD13269	Ball Bearing *	RD17379	Washer **/****	RD18113	Bail Assembly
RD14832	Spool Support A	RD17415	Click Pin	RD18116	Main Shaft Assembly
RD14833	Spool Support B	RD17664	Screw	RD18117	Rear Protector
RD14841	Drive Gear **	RD17670	Rotor Nut Lock Plate	RD18118	Body
RD14841	Key Washer	RD17682	Bail Spring Guide A	RD18119	Side Cover
RD15368	Idle Gear **	RD17684	Bail Spring Seat	RD18120	Handle Assembly
RD15882	Idle Gear B (Small) **	RD17688	O Ring	RD18199	Washer ***
RD16151	Handle Screw Cap	RD17690	Friction Ring	RD18444	Handle Knob Seal
RD16795	Oscillating Slider Bushing ***	RD17691	Bail Trip Strike		
RD16796	Spacer ***	RD17694	Screw	RD18054	Anti Line Slip Sticker
RD16954	O Ring	RD17698	Handle Knob Bushing		
RD17142	Roller Clutch Assembly	RD17700	Screw		
RD17189	Screw	RD17704	Screw	PK 0429	Line Roller Set *
RD17190	Bearing Water Proof	RD17707	Worm Bushing ***	PK 0334	Gear Set **
RD17196	Screw *	RD17708	O Ring	PK 0415	Oscillation Set ***
RD17197	Screw	RD17773	Drag Washer	PK 0430	Bearing Set ****