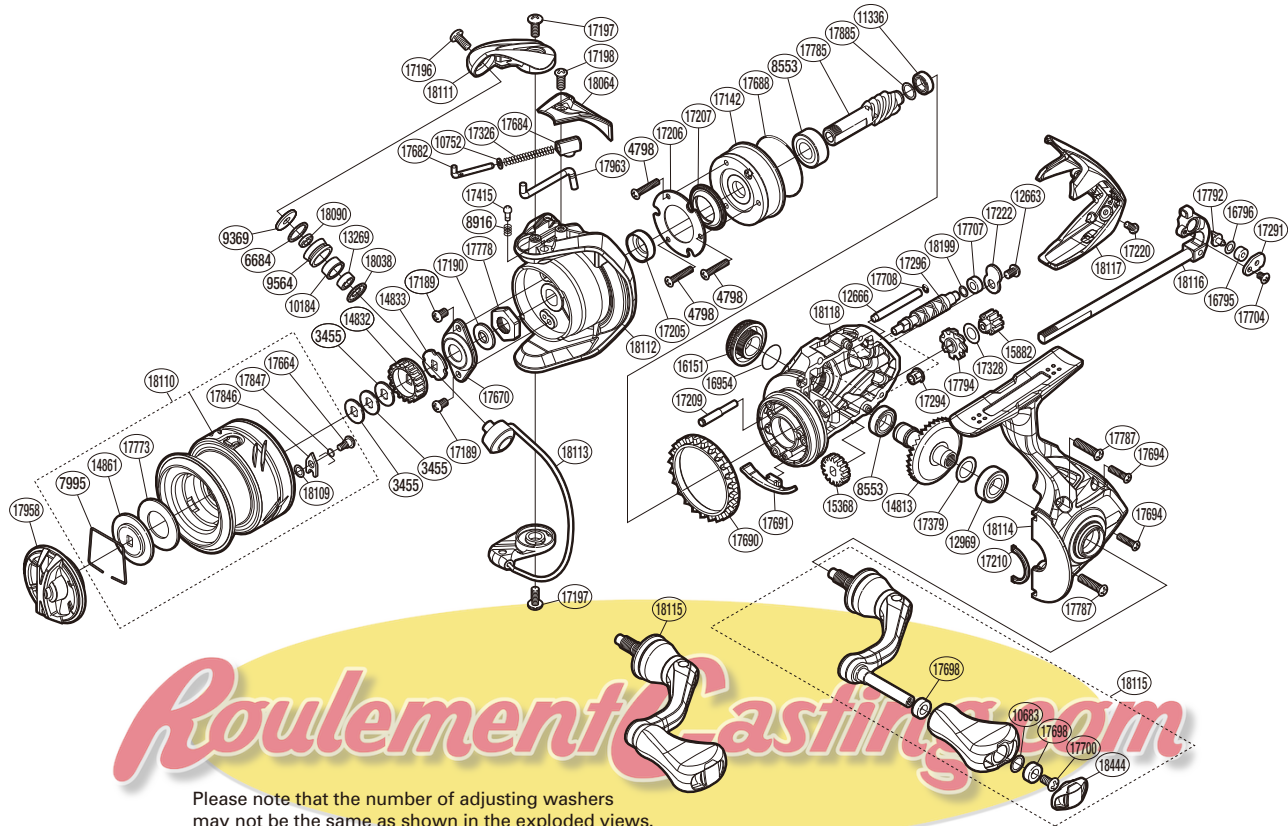


SHIMANO

ULTEGRA S A-RB

ULT-1000FB



Please note that the number of adjusting washers may not be the same as shown in the exploded views.

(51SF03B011X) (Adjustment will vary with each individual product.)

Part No.	Description	Part No.	Description	Part No.	Description
RD 3455	Spool Washer	RD17198	Screw	RD17787	Screw
RD 4798	Screw	RD17205	Rotor Ring	RD17792	Oscillating Pawl ***
RD 6684	Line Roller Spacer *	RD17206	Roller Clutch Reinforce	RD17794	Idle Gear B Large **
RD 7995	Drag Washers Retainer	RD17207	Roller Clutch Water Proof	RD17846	Drag Click
RD 8553	Ball Bearing ****	RD17209	Idle Gear B Shaft	RD17847	Drag Click Spring
RD 8916	Click Spring	RD17210	Flange Water Proof	RD17885	Washer ****
RD 9369	Washer *	RD17220	Screw	RD17958	Drag Knob
RD 9564	Line Roller *	RD17222	Worm Shaft Retainer	RD17963	Bail Trip Lever
RD10184	Line Roller Bushing *	RD17291	Oscillating Pawl Cover	RD18038	Line Roller Support (B) *
RD10683	Washer	RD17294	Worm Bushing (Front) ***	RD18064	Bail Spring Cover
RD10752	Bail Spring Guide A Support	RD17296	Worm Shaft ***	RD18090	Bearing Spacer *
RD11336	Ball Bearing ****	RD17326	Bail Spring	RD18109	Washer
RD12663	Screw	RD17328	Washer **	RD18110	Spool Assembly
RD12666	Oscillating Guide A	RD17379	Washer **/****	RD18111	Bail Arm
RD12969	Ball Bearing ****	RD17415	Click Pin	RD18112	Rotor
RD13269	Ball Bearing *	RD17664	Screw	RD18113	Bail Assembly
RD14813	Drive Gear **	RD17670	Rotor Nut Lock Plate	RD18114	Side Cover
RD14832	Spool Support A	RD17682	Bail Spring Guide A	RD18115	Handle Assembly
RD14833	Spool Support B	RD17684	Bail Spring Seat	RD18116	Main Shaft Assembly
RD14861	Key Washer	RD17688	O Ring	RD18117	Rear Protector
RD15368	Idle Gear **	RD17690	Friction Ring	RD18118	Body
RD15882	Idle Gear B (Small) **	RD17691	Bail Trip Strike	RD18199	Washer ***
RD16151	Handle Screw Cap	RD17694	Screw	RD18444	Handle Knob Seal
RD16795	Oscillating Slider Bushing ***	RD17698	Handle Knob Bushing		
RD16796	Spacer ***	RD17700	Screw	RD18054	Anti Line Slip Sticker
RD16954	O Ring	RD17704	Screw		
RD17142	Roller Clutch Assembly	RD17707	Worm Bushing ***		
RD17189	Screw	RD17708	O Ring	PK 0429	Line Roller Set *
RD17190	Bearing Water Proof	RD17773	Drag Washer	PK 0391	Gear Set **
RD17196	Screw *	RD17778	Rotor Nut	PK 0415	Oscillation Set ***
RD17197	Screw	RD17785	Pinion Gear **	PK 0430	Bearing Set ****