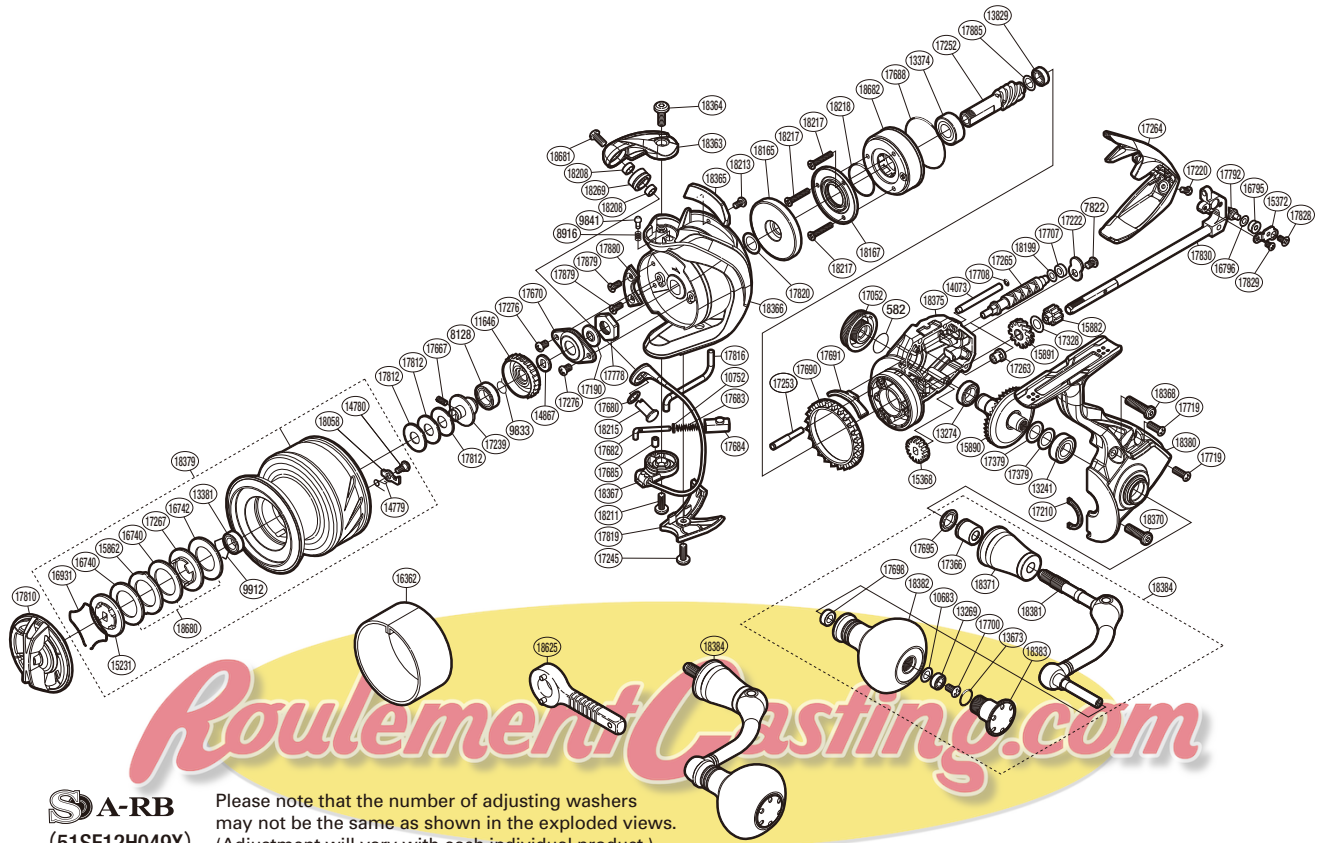


SHIMANO

SUSTAIN

SA-C5000XGFI



S A-RB
(51SF12H049X)

Please note that the number of adjusting washers may not be the same as shown in the exploded views. (Adjustment will vary with each individual product.)

Part No.	Description	Part No.	Description	Part No.	Description
RD 0582	O Ring	RD17239	Spool Bushing	RD17879	Screw
RD 7822	Screw	RD17245	Screw	RD17880	Counterweight
RD 8128	Ball Bearing	RD17252	Pinion Gear	RD17885	Washer
RD 8916	Click Spring	RD17253	Idle Gear B Shaft	RD18058	Drag Click
RD 9833	Ratchet Spring	RD17263	Worm Bushing (Front)	RD18165	Rotor Ring
RD 9841	Click Pin	RD17264	Rear Protector	RD18167	Roller Clutch Reinforce
RD 9912	Bearing Retainer	RD17265	Worm Shaft	RD18199	Washer
RD10683	Washer	RD17267	Key Washer	RD18208	Spacer
RD10752	Bail Spring Guide A Support	RD17276	Screw	RD18211	Screw
RD11646	Drag Click Ratchet	RD17328	Washer	RD18213	Screw
RD13241	Ball Bearing	RD17366	Handle Shaft Cover B	RD18215	Line Roller Support
RD13269	Ball Bearing	RD17379	Washer	RD18217	Screw
RD13274	Ball Bearing	RD17667	Set Screw	RD18218	Roller Clutch O Ring
RD13374	Ball Bearing	RD17670	Rotor Nut Lock Plate	RD18269	Line Roller (With Bearing)
RD13381	Ball Bearing	RD17680	Washer	RD18363	Bail Arm
RD13673	O Ring	RD17682	Bail Spring Guide A	RD18364	Screw
RD13829	Ball Bearing	RD17683	Bail Spring	RD18365	Counterweight Assembly
RD14073	Oscillating Guide	RD17684	Bail Spring Seat	RD18366	Rotor
RD14779	Drag Click Spring	RD17685	Bail Spring Guide A Bush	RD18367	Bail Assembly
RD14780	Screw	RD17688	O Ring	RD18368	Screw
RD14867	Spool Support	RD17690	Friction Ring	RD18370	Screw
RD15231	Key Washer	RD17691	Bail Trip Strike	RD18371	Handle Shaft Cover
RD15368	Idle Gear	RD17695	Handle Shaft Seal	RD18375	Body
RD15372	Oscillating Pawl Cover	RD17698	Handle Knob Bushing	RD18379	Spool Assembly
RD15862	Eared Washer	RD17700	Screw	RD18380	Side Cover
RD15882	Idle Gear B (Small)	RD17707	Worm Bushing (Rear)	RD18381	Handle Shank Assembly
RD15890	Drive Gear	RD17708	O Ring	RD18382	Handle Knob
RD15891	Idle Gear B (Large)	RD17719	Screw	RD18383	Handle Knob Seal
RD16740	Drag Washer	RD17778	Rotor Nut	RD18384	Handle Assembly
RD16742	Drag Washer	RD17792	Oscillating Pawl	RD18680	Washer
RD16795	Oscillating Slider Bushing	RD17810	Drag Knob	RD18681	Screw
RD16796	Spacer	RD17812	Spool Washer	RD18682	Roller Clutch Assembly
RD16931	Drag Washers Retainer	RD17816	Bail Trip Lever		
RD17052	Handle Screw Cap	RD17819	Bail Hold Support Guard	RD18054	Anti Line Slip Sticker (Accessory)
RD17190	Bearing Water Proof	RD17820	Washer		
RD17210	Flange Water Proof	RD17828	Screw		
RD17220	Screw	RD17829	Screw	RD16362	Line Band (Accessory)
RD17222	Worm Shaft Retainer	RD17830	Main Shaft Assembly	RD18625	Handle Knob Wrench (Accessory)