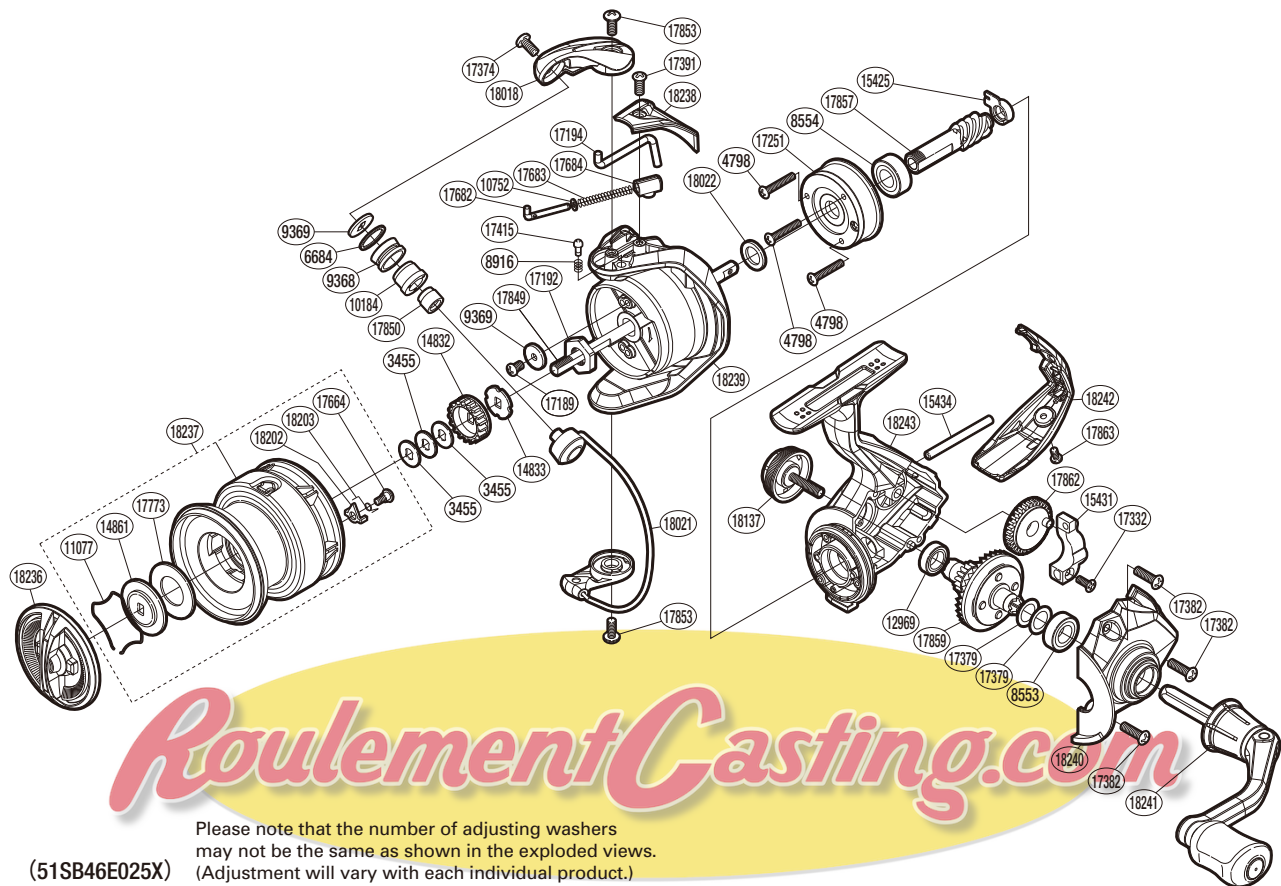


SHIMANO

SEDONA HD

SEHD-2500



Please note that the number of adjusting washers may not be the same as shown in the exploded views. (Adjustment will vary with each individual product.)

(51SB46E025X)

| Part No. | Description | Part No. | Description | Part No. | Description |
|----------|-----------------------------|----------|------------------------|----------|-------------------|
| RD 3455 | Spool Washer | RD17189 | Screw | RD17857 | Pinion Gear |
| RD 4798 | Screw | RD17192 | Rotor Nut | RD17859 | Drive Gear |
| RD 6684 | Line Roller Spacer | RD17194 | Bail Trip Lever | RD17862 | Oscillating Gear |
| RD 8553 | Ball Bearing | RD17251 | Roller Clutch Assembly | RD17863 | Screw |
| RD 8554 | Ball Bearing | RD17332 | Screw | RD18018 | Bail Arm |
| RD 8916 | Click Spring | RD17374 | Screw | RD18021 | Bail Assembly |
| RD 9368 | Line Roller | RD17379 | Washer | RD18022 | Washer |
| RD 9369 | Line Roller Washer | RD17382 | Screw | RD18137 | Handle Screw Cap |
| RD10184 | Line Roller Bushing | RD17391 | Screw | RD18202 | Drag Click |
| RD10752 | Bail Spring Guide A Support | RD17415 | Click Pin | RD18203 | Drag Click Spring |
| RD11077 | Drag Washers Retainer | RD17664 | Screw | RD18236 | Drag Knob |
| RD12969 | Ball Bearing | RD17682 | Bail Spring Guide A | RD18237 | Spool Assembly |
| RD14832 | Spool Support A | RD17683 | Bail Spring | RD18238 | Bail Spring Cover |
| RD14833 | Spool Support B | RD17684 | Bail Spring Seat | RD18239 | Rotor |
| RD14861 | Key Washer | RD17773 | Drag Washer | RD18240 | Side Cover |
| RD15425 | Pinion Gear Bushing | RD17849 | Main Shaft | RD18241 | Handle Assembly |
| RD15431 | Oscillating Slider | RD17850 | Line Roller Collar | RD18242 | Rear Protector |
| RD15434 | Oscillating Guide | RD17853 | Screw | RD18243 | Body |