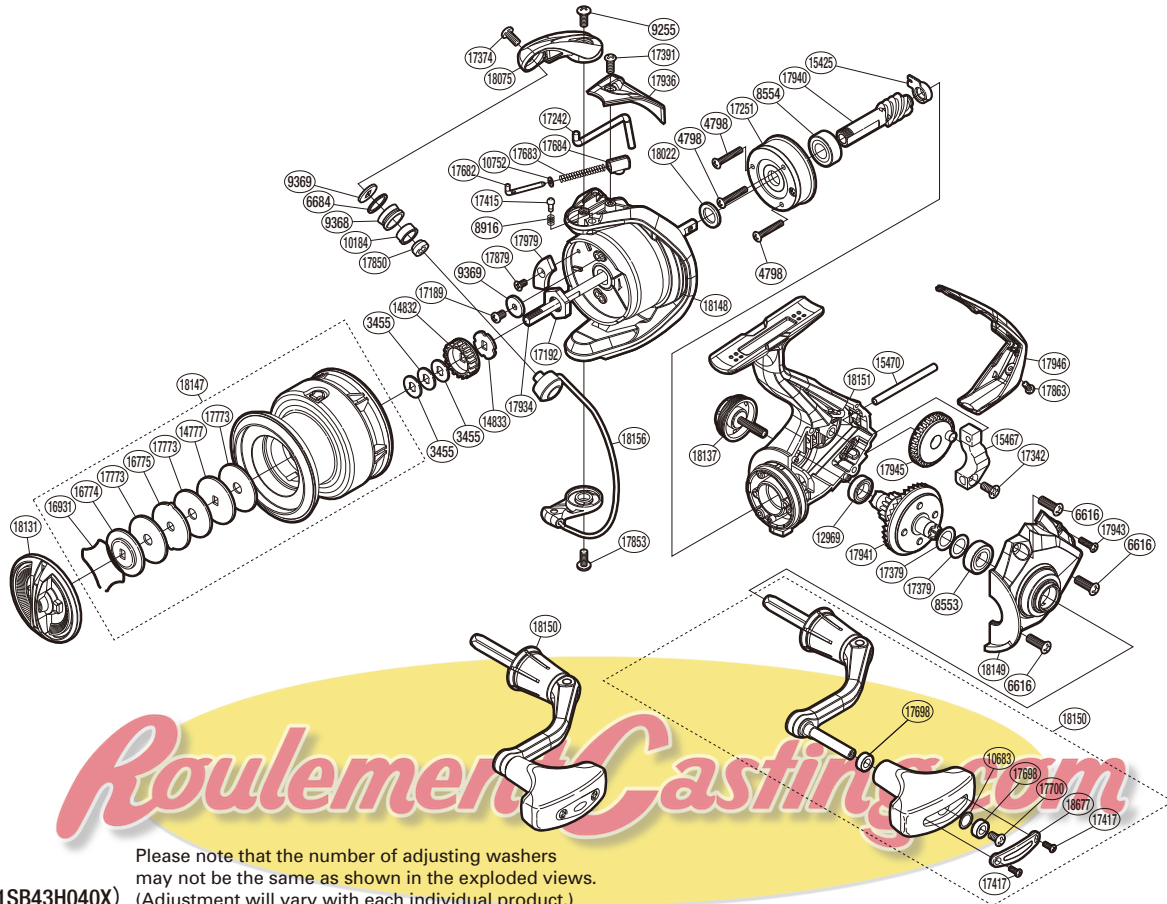


SHIMANO

SEDONA

SE-4000FI



Please note that the number of adjusting washers may not be the same as shown in the exploded views.

(51SB43H040X) (Adjustment will vary with each individual product.)

Part No.	Description	Part No.	Description	Part No.	Description
RD 3455	Spool Washer	RD16775	Eared Washer	RD17879	Screw
RD 4798	Screw	RD16931	Drag Washers Retainer	RD17934	Main Shaft
RD 6616	Screw	RD17189	Screw	RD17936	Bail Spring Cover
RD 6684	Line Roller Spacer	RD17192	Rotor Nut	RD17940	Pinion Gear
RD 8553	Ball Bearing	RD17242	Bail Trip Lever	RD17941	Drive Gear
RD 8554	Ball Bearing	RD17251	Roller Clutch Assembly	RD17943	Screw
RD 8916	Click Spring	RD17342	Screw	RD17945	Oscillating Gear
RD 9255	Screw	RD17374	Screw	RD17946	Rear Protector
RD 9368	Line Roller	RD17379	Washer	RD17979	Counter Weight A
RD 9369	Washer	RD17391	Screw	RD18022	Washer
RD10184	Line Roller Bushing	RD17415	Click Pin	RD18075	Bail Arm
RD10683	Washer	RD17417	Screw	RD18131	Drag Knob
RD10752	Bail Spring Guide A Support	RD17683	Bail Spring	RD18137	Handle Screw Cap
RD12969	Ball Bearing	RD17682	Bail Spring Guide A	RD18147	Spool Assembly
RD14777	Key Washer	RD17684	Bail Spring Seat	RD18148	Rotor
RD14832	Spool Support A	RD17698	Handle Knob Bushing	RD18149	Side Cover
RD14833	Spool Support B	RD17700	Screw	RD18150	Handle Assembly
RD15425	Pinion Gear Bushing	RD17773	Drag Washer	RD18151	Body
RD15467	Oscillating Slider	RD17850	Line Roller Collar	RD18156	Bail Assembly
RD15470	Oscillating Guide	RD17853	Screw	RD18677	Handle Knob I.D. Plate
RD16774	Key Washer	RD17863	Screw		