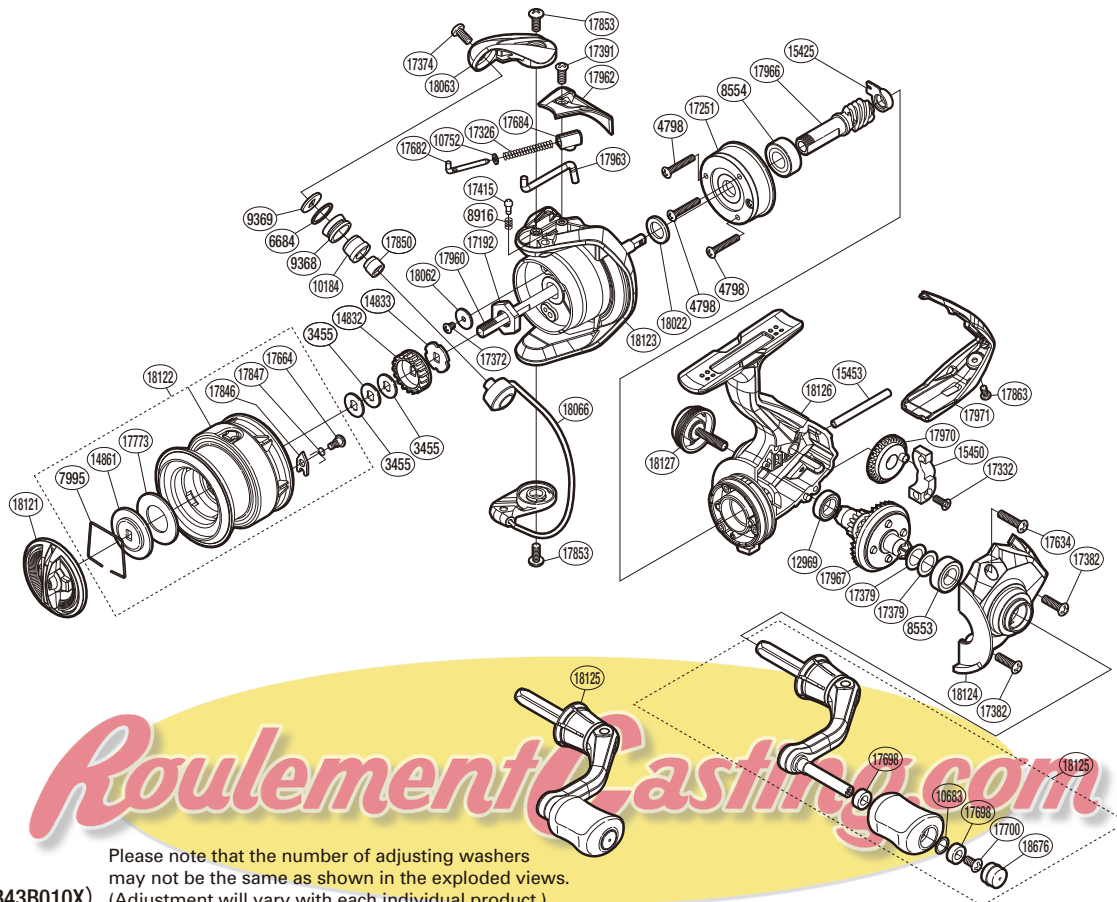


SHIMANO

SEDONA

SE-1000FI



Please note that the number of adjusting washers may not be the same as shown in the exploded views.
(51SB43B010X) (Adjustment will vary with each individual product.)

Part No.	Description	Part No.	Description	Part No.	Description
RD 3455	Spool Washer	RD17251	Roller Clutch Assembly	RD17863	Screw
RD 4798	Screw	RD17326	Bail Spring	RD17960	Main Shaft
RD 6684	Line Roller Spacer	RD17332	Screw	RD17962	Bail Spring Cover
RD 7995	Drag Washers Retainer	RD17372	Screw	RD17963	Bail Trip Lever
RD 8553	Ball Bearing	RD17374	Screw	RD17966	Pinion Gear
RD 8554	Ball Bearing	RD17379	Washer	RD17967	Drive Gear
RD 8916	Click Spring	RD17382	Screw	RD17970	Oscillating Gear
RD 9368	Line Roller	RD17391	Screw	RD17971	Rear Protector
RD 9369	Line Roller Washer	RD17415	Click Pin	RD18022	Washer
RD10184	Line Roller Bushing	RD17634	Screw	RD18062	Washer
RD10683	Washer	RD17664	Screw	RD18063	Bail Arm
RD10752	Bail Spring Guide A Support	RD17682	Bail Spring Guide A	RD18066	Bail Assembly
RD12969	Ball Bearing	RD17684	Bail Spring Seat	RD18121	Drag Knob
RD14832	Spool Support A	RD17698	Handle Knob Bushing	RD18122	Spool Assembly
RD14833	Spool Support B	RD17700	Screw	RD18123	Rotor
RD14861	Key Washer	RD17773	Drag Washer	RD18124	Side Cover
RD15425	Pinion Gear Bushing	RD17846	Drag Click	RD18125	Handle Assembly
RD15450	Oscillating Slider	RD17847	Drag Click Spring	RD18126	Body
RD15453	Oscillating Guide	RD17850	Line Roller Collar	RD18127	Handle Screw Cap
RD17192	Rotor Nut	RD17853	Screw	RD18676	Handle Knob Seal