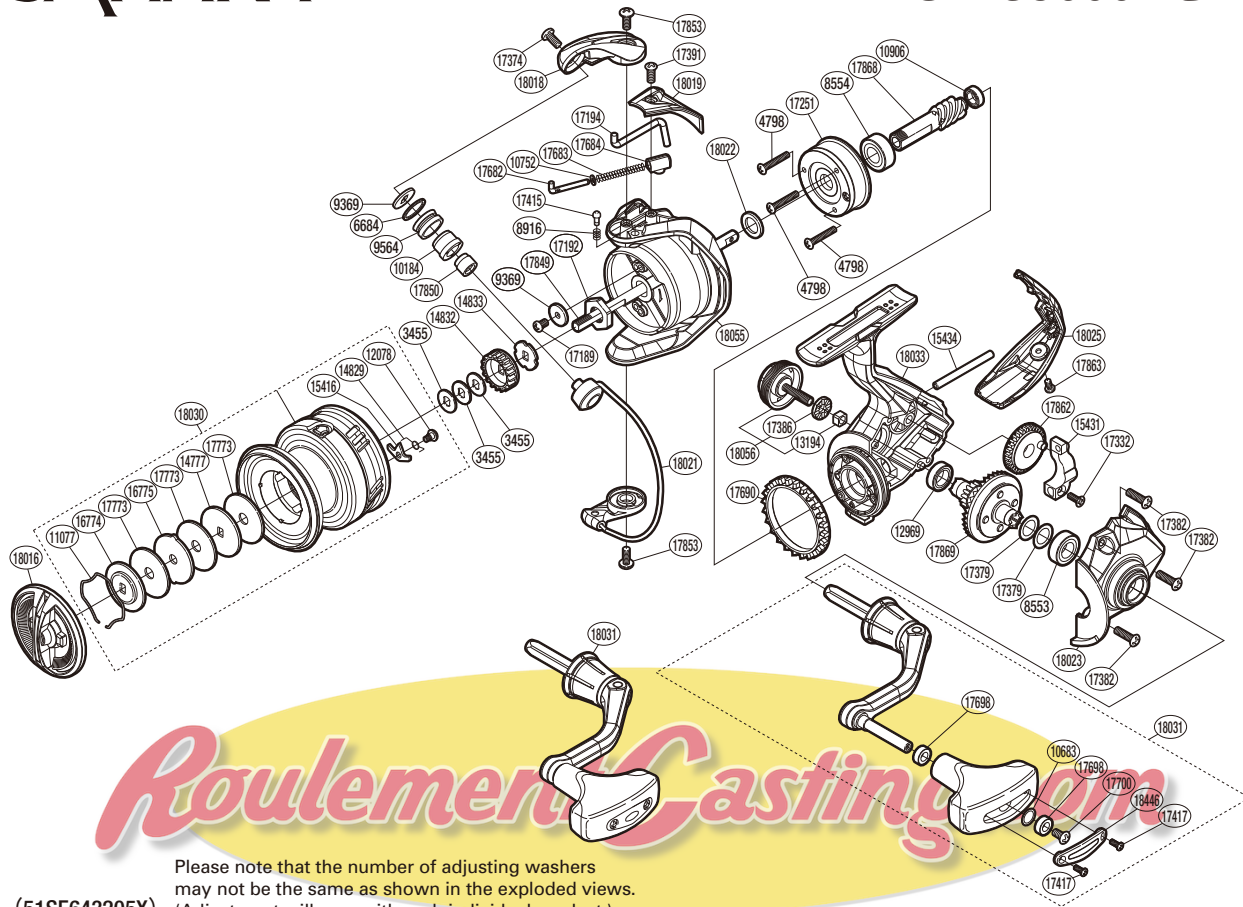


SHIMANO

SAHARA

SH-C3000HGFI



Please note that the number of adjusting washers may not be the same as shown in the exploded views.

(51SE643205X) (Adjustment will vary with each individual product.)

Part No.	Description	Part No.	Description	Part No.	Description
RD 3455	Spool Washer	RD15434	Oscillating Guide	RD17849	Main Shaft
RD 4798	Screw	RD16774	Key Washer	RD17850	Line Roller Collar
RD 6684	Line Roller Spacer	RD16775	Eared Washer	RD17853	Screw
RD 8553	Ball Bearing	RD17189	Screw	RD17862	Oscillating Gear
RD 8554	Ball Bearing	RD17192	Rotor Nut	RD17863	Screw
RD 8916	Click Spring	RD17194	Bail Trip Lever	RD17868	Pinion Gear
RD 9369	Line Roller Washer	RD17251	Roller Clutch Assembly	RD17869	Drive Gear
RD 9564	Line Roller	RD17332	Screw	RD18016	Drag Knob
RD10184	Line Roller Bushing	RD17374	Screw	RD18018	Bail Arm
RD10683	Washer	RD17379	Washer	RD18019	Bail Spring Cover
RD10752	Bail Spring Guide A Support	RD17382	Screw	RD18021	Bail Assembly
RD10906	Ball Bearing	RD17386	Handle Screw Cap Spacer	RD18022	Washer
RD11077	Drag Washers Retainer	RD17391	Screw	RD18023	Side Cover
RD12078	Screw	RD17415	Click Pin	RD18025	Rear Protector
RD12969	Ball Bearing	RD17417	Screw	RD18030	Spool Assembly
RD13194	Handle Screw Lock	RD17682	Bail Spring Guide A	RD18031	Handle Assembly
RD14777	Key Washer	RD17683	Bail Spring	RD18033	Body
RD14829	Drag Click Spring	RD17684	Bail Spring Seat	RD18055	Rotor
RD14832	Spool Support A	RD17690	Friction Ring	RD18056	Handle Screw Cap
RD14833	Spool Support B	RD17698	Handle Knob Bushing	RD18446	Handle Knob I.D. Plate
RD15416	Drag Click	RD17700	Screw		
RD15431	Oscillating Slider	RD17773	Drag Washer		