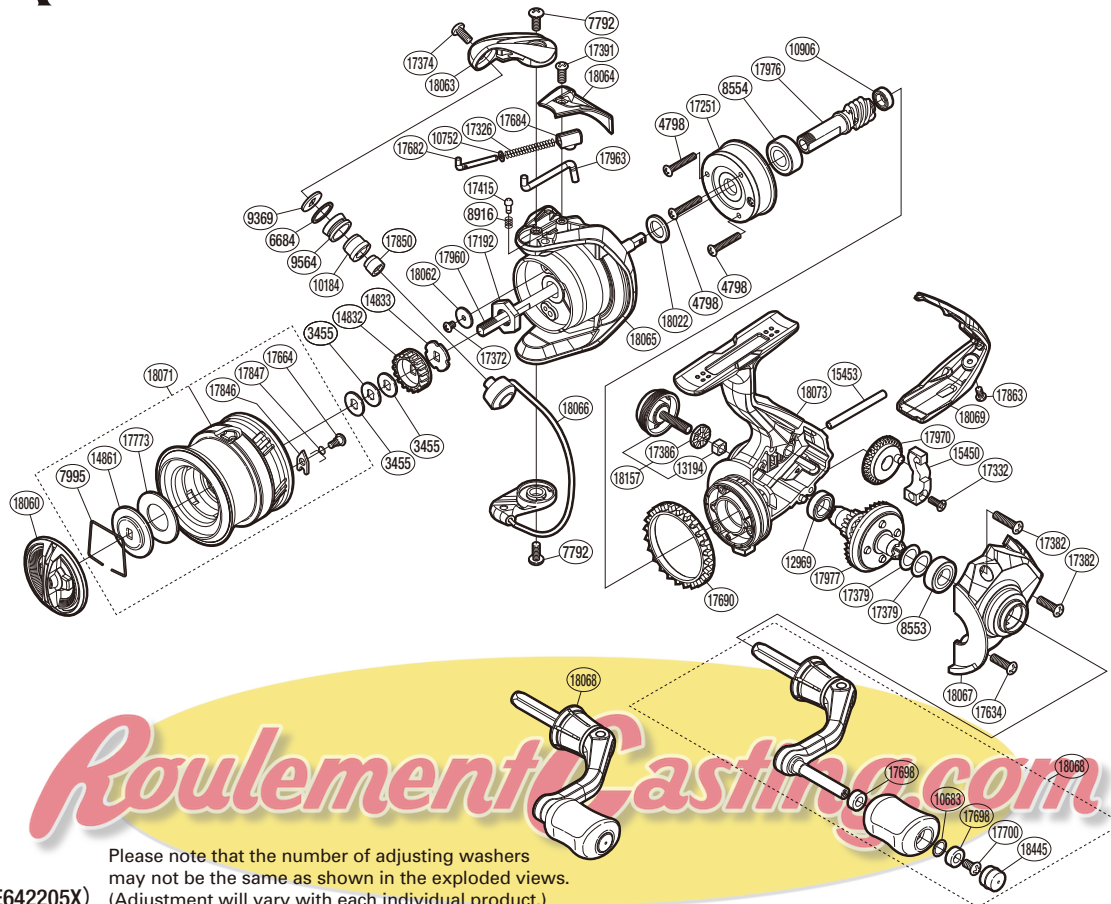


# SHIMANO

## SAHARA

### SH-C2000HGSFI



Please note that the number of adjusting washers may not be the same as shown in the exploded views.  
(51SE642205X) (Adjustment will vary with each individual product.)

Part No.	Description	Part No.	Description	Part No.	Description
RD 3455	Spool Washer	RD17192	Rotor Nut	RD17850	Line Roller Collar
RD 4798	Screw	RD17251	Roller Clutch Assembly	RD17863	Screw
RD 6684	Line Roller Spacer	RD17326	Bail Spring	RD17960	Main Shaft
RD 7792	Screw	RD17332	Screw	RD17963	Bail Trip Lever
RD 7995	Drag Washer Retainer	RD17372	Screw	RD17970	Oscillating Gear
RD 8553	Ball Bearing	RD17374	Screw	RD17976	Pinion Gear
RD 8554	Ball Bearing	RD17379	Washer	RD17977	Drive Gear
RD 8916	Click Spring	RD17382	Screw	RD18022	Washer
RD 9369	Line Roller Washer	RD17386	Handle Screw Cap Spacer	RD18060	Drag Knob
RD 9564	Line Roller	RD17391	Screw	RD18062	Washer
RD10184	Line Roller Bushing	RD17415	Click Pin	RD18063	Bail Arm
RD10683	Washer	RD17634	Screw	RD18064	Bail Spring Cover
RD10752	Bail Spring Guide A Support	RD17664	Screw	RD18065	Rotor
RD10906	Ball Bearing	RD17682	Bail Spring Guide	RD18066	Bail Assembly
RD12969	Ball Bearing	RD17684	Bail Spring Seat	RD18067	Side Cover
RD13194	Handle Screw Lock	RD17690	Friction Ring	RD18068	Handle Assembly
RD14832	Spool Support A	RD17698	Handle Knob Bushing	RD18069	Rear Protector
RD14833	Spool Support B	RD17700	Screw	RD18071	Spool Assembly
RD14861	Key Washer	RD17773	Drag Washer	RD18073	Body
RD15450	Oscillating Slider	RD17846	Drag Click	RD18157	Handle Screw Cap
RD15453	Oscillating Guide	RD17847	Drag Click Spring	RD18445	Handle Knob Seal