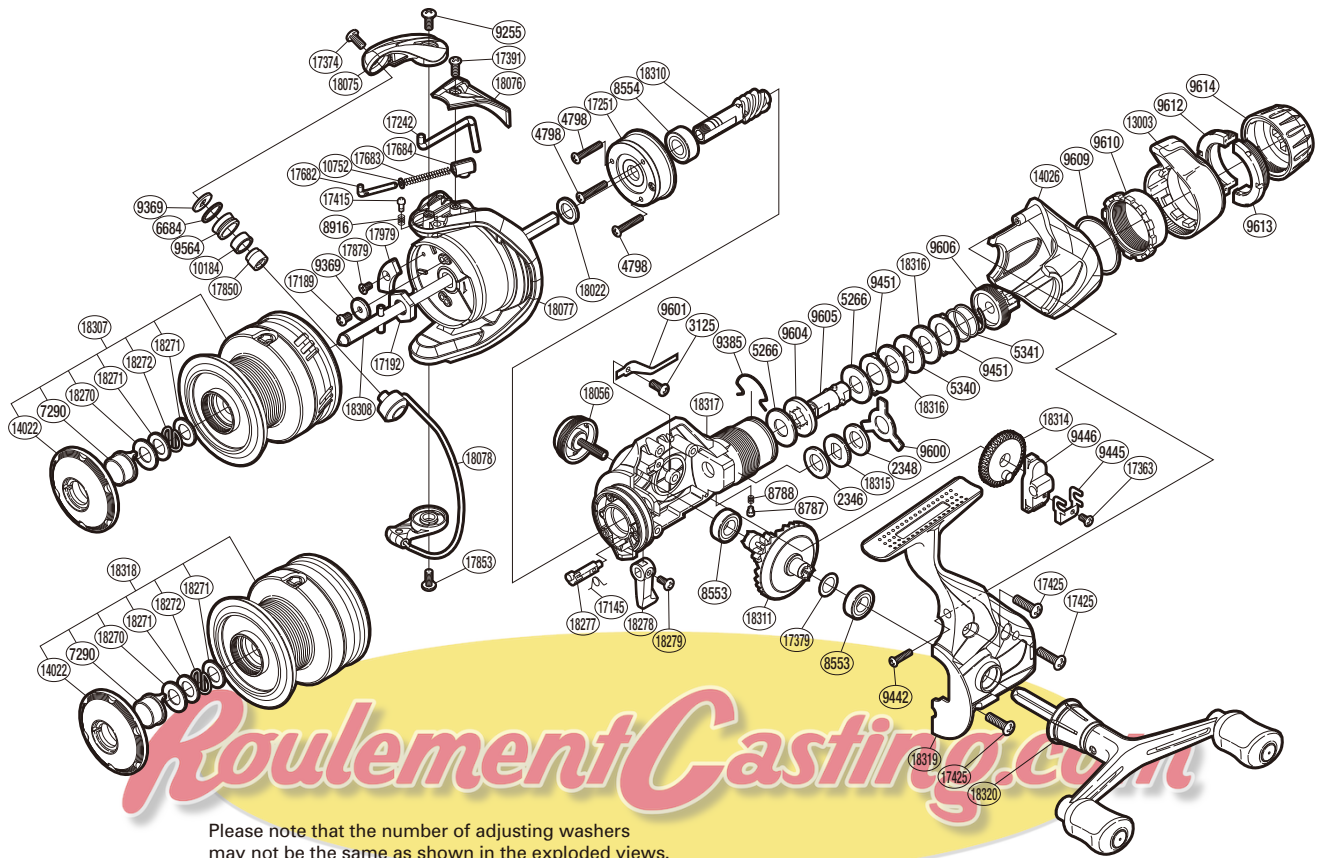


SHIMANO

SAHARA

SH-4000DHR



Please note that the number of adjusting washers may not be the same as shown in the exploded views. (51SE99H044X) (Adjustment will vary with each individual product.)

Part No.	Description	Part No.	Description	Part No.	Description
RD 2346	Drag Washer	RD 9609	Fightin Pressure Screw Washer	RD17979	Counter Weight A
RD 2348	Drag Washer	RD 9610	Fightin Pressure Screw	RD18022	Washer
RD 3125	Screw	RD 9612	Drag Programmer B1	RD18056	Handle Screw Cap
RD 4798	Screw	RD 9613	Drag Programmer B2	RD18075	Bail Arm
RD 5266	Drag Washer	RD 9614	Drag Programmer A	RD18076	Bail Spring Cover
RD 5340	Key Washer	RD10184	Line Roller Bushing	RD18077	Rotor
RD 5341	Drag Coil Spring	RD10752	Bail Spring Guide A Support	RD18078	Bail Assembly
RD 6684	Line Roller Spacer	RD13003	Fightin Lever Assembly	RD18270	Washer
RD 7290	Push Button	RD14022	Push Button Collar	RD18271	Washer
RD 8553	Ball Bearing	RD14026	Rear Protector	RD18272	Locking Spring
RD 8554	Ball Bearing	RD17145	Anti-Reverse Cam Spring	RD18277	Anti-Reverse Cam
RD 8787	Click Pin	RD17189	Screw	RD18278	Anti-Reverse Lever
RD 8788	Click Spring	RD17192	Rotor Nut	RD18279	Screw
RD 8916	Click Spring	RD17242	Bail Trip Lever	RD18307	Spool Assembly
RD 9255	Screw	RD17251	Roller Clutch Assembly	RD18308	Main Shaft
RD 9369	Washer	RD17363	Screw	RD18310	Pinion Gear
RD 9385	Hold Click Spring	RD17374	Screw	RD18311	Drive Gear
RD 9442	Screw	RD17379	Washer	RD18314	Oscillating Gear
RD 9445	Oscillating Slider Retainer	RD17391	Screw	RD18315	Click Gear
RD 9446	Oscillating Slider	RD17415	Click Pin	RD18316	Drag Washer
RD 9451	Eared Washer	RD17425	Screw	RD18317	Body
RD 9564	Line Roller	RD17682	Bail Spring Guide A	RD18319	Side Cover
RD 9600	Eared Washer	RD17683	Bail Spring	RD18320	Handle Assembly
RD 9601	Drag Click	RD17684	Bail Spring Seat		
RD 9604	Drag Shaft B	RD17850	Line Roller Collar		
RD 9605	Drag Shaft A	RD17853	Screw		
RD 9606	Pressure Screw	RD17879	Screw	RD18318	Spare Spool Assembly