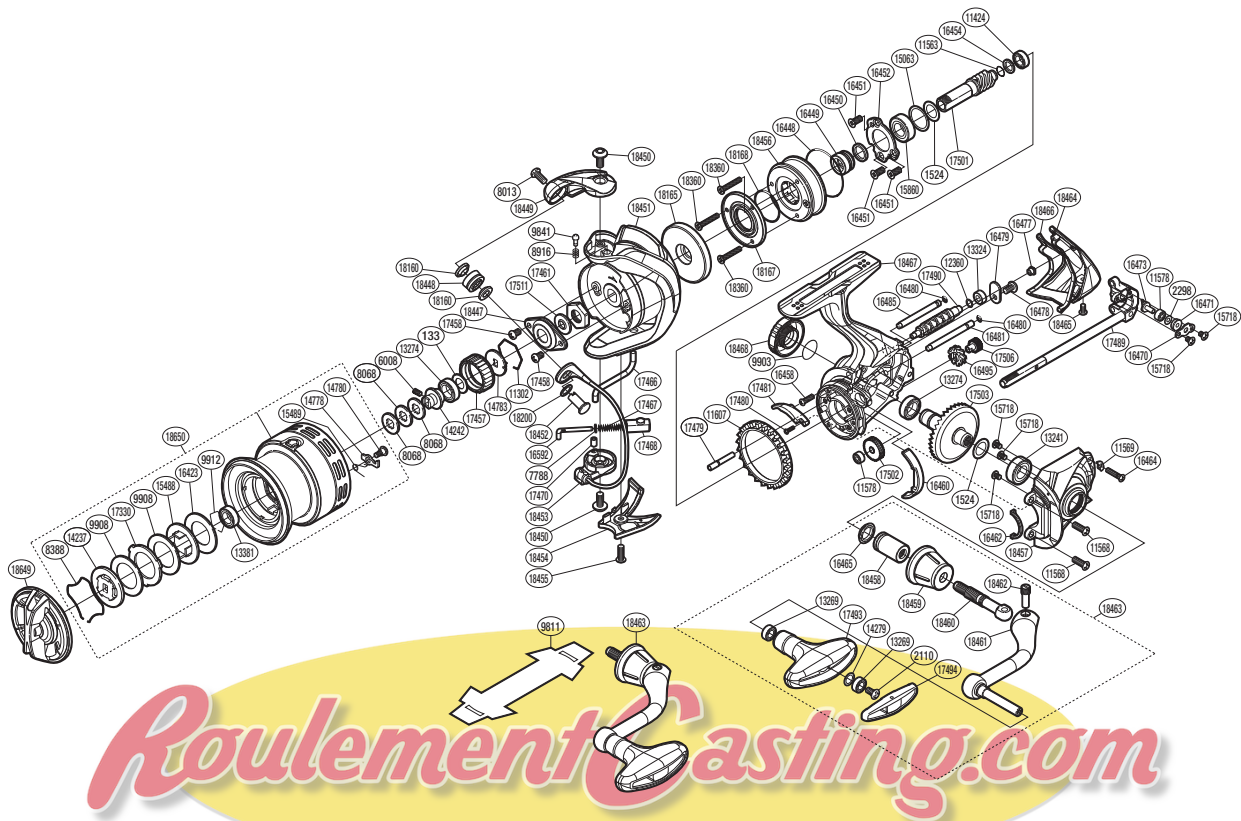


SHIMANO

EXSENCE 

EXS-C3000MHG



Please note that the number of adjusting washers may not be the same as shown in the exploded views.
(Adjustment will vary with each individual product.)

(51SF11E032X)

Part No.	Description	Part No.	Description	Part No.	Description
RD 0133	Anti-Reverse Pawl Spacer	RD16423	Drag Washer	RD17501	Pinion Gear
RD 1524	Washer	RD16448	O Ring	RD17502	Idle Gear
RD 2110	Screw	RD16449	Roller Clutch Inner	RD17503	Drive Gear Assembly
RD 2298	Spacer	RD16450	Roller Clutch Inner Spacer	RD17506	Idle Gear B S
RD 6008	Set Screw	RD16451	Screw	RD17511	Bearing Water Proof
RD 7788	Spring Guide A Support	RD16452	Bearing Retainer	RD18160	Bearing Spacer
RD 8013	Screw	RD16454	Pinion Gear Spacer	RD18165	Rotor Ring
RD 8068	Spool Washer	RD16458	Screw	RD18167	Roller Clutch Reinforce
RD 8388	Drag Washers Retainer	RD16460	Friction Ring Spacer	RD18168	O Ring
RD 8916	Click Spring	RD16462	Flange Water Proof	RD18200	Washer
RD 9841	Click Pin	RD16464	Screw	RD18360	Screw
RD 9903	O Ring	RD16465	Handle Shaft Seal	RD18447	Nut Lock Plate
RD 9908	Drag Washer	RD16470	Oscillating Pawl Cover	RD18448	Line Roller Set (With Bearing)
RD 9912	Bearing Retainer	RD16471	Oscillating Slider Bushing	RD18449	Bail Arm
RD11302	Ratchet Spring	RD16473	Oscillating Pawl	RD18450	Screw
RD11424	Ball Bearing	RD16477	Rear Protector Collar	RD18451	Rotor Assembly
RD11563	Worm Shaft Ring	RD16478	Screw	RD18452	Line Roller Support
RD11568	Screw	RD16479	Worm Shaft Retainer	RD18453	Bail Assembly
RD11569	Screw Washer	RD16480	O Ring	RD18454	Bail Hold Support Guard
RD11578	Ball Bearing	RD16481	Oscillating Guide B	RD18455	Screw
RD11607	Friction Ring	RD16485	Oscillating Guide A	RD18456	Roller Clutch Assembly
RD12360	Washer	RD16495	Idle Gear B L	RD18457	Side Cover Assembly
RD13241	Ball Bearing	RD16592	Bail Spring Guide A	RD18458	Handle Shaft Cover B
RD13269	Ball Bearing	RD17330	Eared Washer	RD18459	Handle Shaft Cover A
RD13274	Ball Bearing	RD17457	Drag Click Ratchet	RD18460	Handle Shaft
RD13324	Worm Bushing	RD17458	Screw	RD18461	Handle Shank Assembly
RD13381	Ball Bearing	RD17461	Rotor Nut	RD18462	Screw
RD14237	Key Washer	RD17466	Bail Trip Lever	RD18463	Handle Assembly
RD14242	Bearing Bushing	RD17467	Bail Spring	RD18464	Rear Protector
RD14279	Washer	RD17468	Bail Spring Seat	RD18465	Screw
RD14778	Drag Click	RD17470	Bail Spring Guide A Bush	RD18466	Rear Shield
RD14780	Screw	RD17479	Idle Gear B Shaft	RD18467	Body Assembly
RD14783	Spool Support	RD17480	Screw	RD18468	Handle Screw Cap
RD15063	Spacer	RD17481	Bail Trip Strike	RD18649	Drag Knob Assembly
RD15488	Key Washer	RD17489	Main Shaft Assembly	RD18650	Spool Assembly
RD15489	Drag Click Spring	RD17490	Worm Shaft		
RD15718	Screw	RD17493	Handle Knob		
RD15860	Ball Bearing	RD17494	Handle Knob Seal	RD 9811	Reel Seat Spacer (accessory)