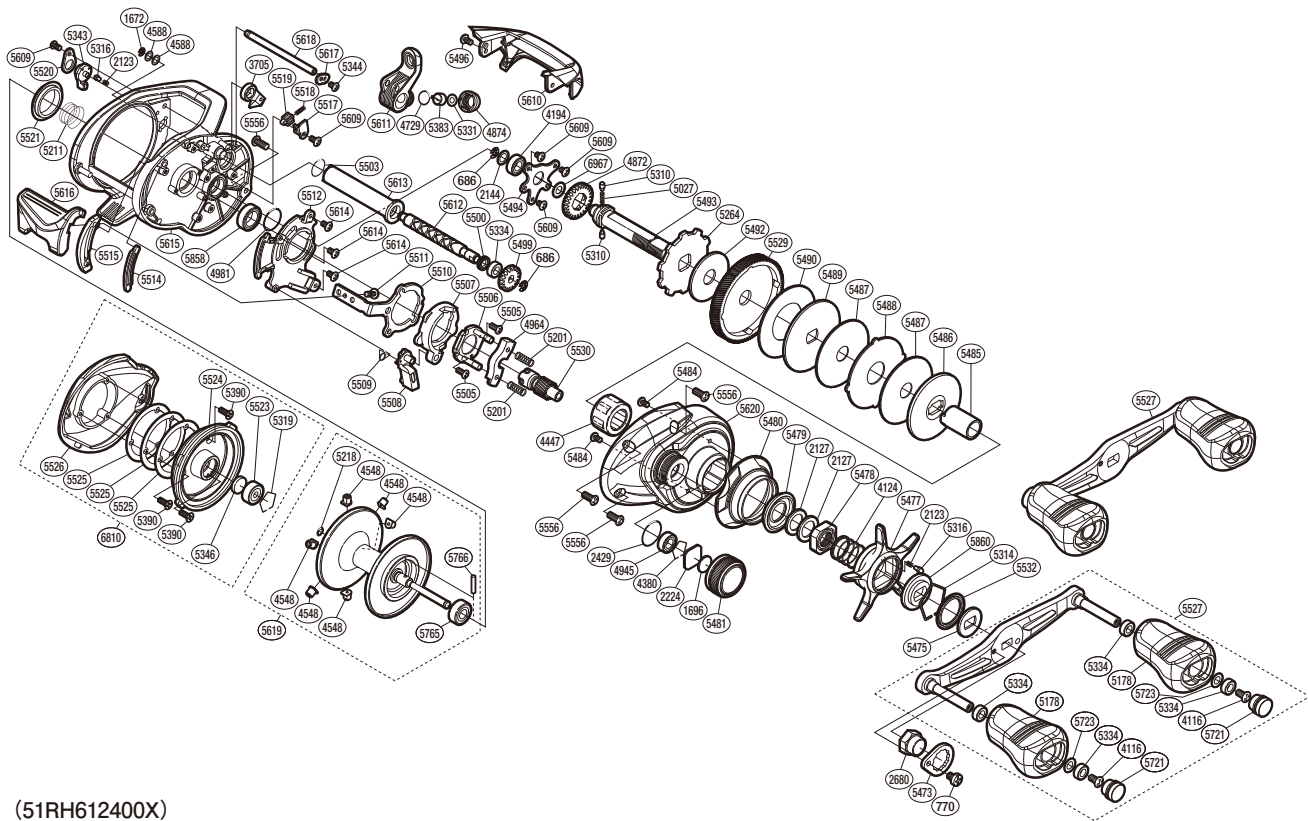


SHIMANO

TRAX

TRX-400



(51RH612400X)

#	Part No.	Description	#	Part No.	Description	#	Part No.	Description
0686	105NK	E Lock	5343	1019B	Side Plate Cam Lever	5517	101J7	Retention Spring Retainer
0770	10QG0	Screw	5344	10MPD	Screw	5518	101J6	Clutch Retention Spring
1672	105NC	E Lock	5346	10EX5	Spacer B	5519	10TZC	Clutch Retention Pin
1696	10896	Cast Control Spacer (B)	5383	10BHQ	Line Guide Pawl	5520	101UL	Cam Lever Retainer
2123	10BT2	Click Spring	5390	10LA4	Screw	5521	1024L	Frame Center Seal
2127	10J1N	Star Drag Spacer	5473	1024C	Handle Nut Plate	5523	105C2	Ball Bearing
2144	10C47	Drive Shaft Washer	5475	10QVN	Drive Shaft Shield	5524	10SWA	Dial Case
2224	1085F	Spool Tension Spacer (A)	5477	10259	Star Drag	5525	1024K	Washer
2429	108WK	O Ring	5478	1024H	Star Drag Nut	5526	101UH	Left Side Plate
2680	10FT1	Handle Nut	5479	10255	Roller Clutch Water Proof	5527	10SWF	Handle Assembly
3705	10MW2	Anti-Reverse Pawl	5480	10253	Clutch Button Attachment	5529	1025B	Drive Gear
4116	103E9	Screw	5481	10252	Cast Control Cap	5530	1024Y	Pinion Gear
4124	10A70	Star Drag Spring	5484	10LA3	Screw	5532	10QVP	Star Drag Seal
4194	105BP	Ball Bearing	5485	10250	Roller Clutch Inner Tube	5556	10U0T	Screw
4380	1057X	Retainer	5486	1025E	Key Washer	5609	10LCT	Screw
4447	10F37	Roller Clutch Bearing	5487	1024D	Drag Washer	5610	10RUQ	Level Wind Protector
4548	10CMP	Brake Collar	5488	1024F	Eared Washer	5611	10QW4	Line Guide
4588	10FJZ	Washer	5489	1024E	Key Washer	5612	10RUS	Worm Shaft
4729	108WQ	O Ring	5490	1025D	Drag Washer	5613	10RUT	Level Wind Guard
4872	10J47	Idle Gear	5492	1025A	Drag Washer	5614	10SUT	Screw
4874	10FJB	Pawl Cap	5493	10257	Drive Shaft	5615	10QVD	Frame
4945	105BR	Ball Bearing	5494	1024G	Drive Shaft Retainer	5616	10RUN	Clutch Lever
4964	1046X	Yoke	5496	10LCZ	Screw	5617	101LJ	Stabilizer Bar Retainer
4981	10LA8	O Ring	5499	1024Q	Idle Gear	5618	10RUR	Stabilizer Bar
5027	10JDZ	Idle Gear Spring	5500	1024R	Worm Shaft Seal	5619	10QVZ	Spool Assembly
5178	10326	Handle Knob	5503	101GT	O Ring	5620	10RUP	Right Side Plate
5201	104BC	Yoke Spring	5505	10LVJ	Screw	5721	1022Z	Handle Knob Seal
5211	10EZE	Bearing Pressure Spring	5506	10QVM	Clutch Cam Retainer	5723	1003Z	Washer
5218	10EZ7	O Ring	5507	10254	Clutch Cam	5765	105CA	Ball Bearing
5264	10D73	Anti-Reverse Ratchet	5508	101J2	Clutch Pawl	5766	10MD1	Spool Clutch Pin
5310	10HJG	Idle Gear Pin	5509	101J3	Clutch Pawl Spring	5858	105BT	Ball Bearing
5314	10KXW	Click Plate Retainer	5510	101J9	Clutch Plate	5860	10J26	Star Drag Click Plate
5316	10MFC	Click Pin	5511	10LCL	Screw	6810	10T4K	Left Side Plate Assembly
5319	1054D	Bearing Retainer	5512	10251	Clutch Guard	6967	10GR7	Washer
5331	104TX	Spacer	5514	101J8	Clutch Button Seal			
5334	10PXZ	Bushing	5515	101JA	Clutch Bar Guide			

Please note that the number of adjusting washers may not be the same as shown in the exploded views.
(Adjustment will vary with each individual product.)

(230707)_016