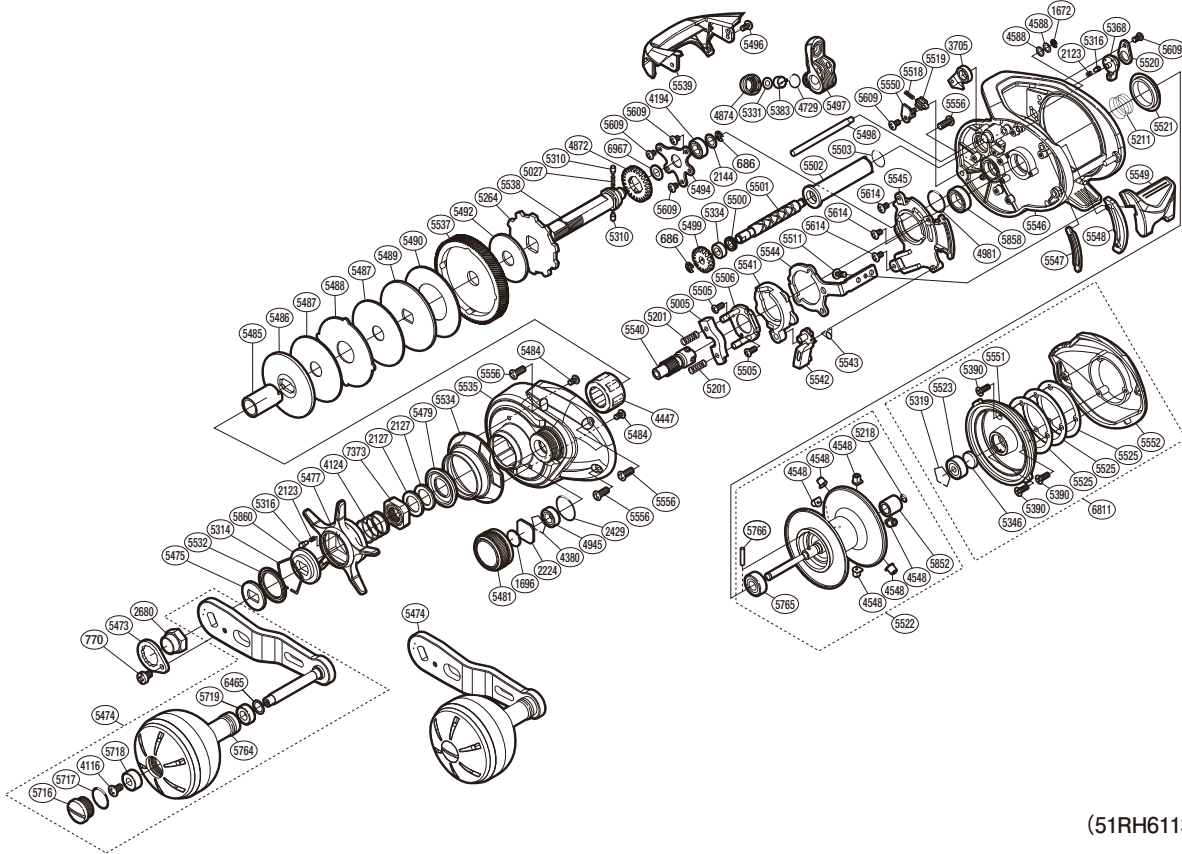


SHIMANO

TRAX

TRX-301AHG



(51RH611301X)

#	Part No.	Description	#	Part No.	Description	#	Part No.	Description
686	105NK	E Lock	5390	10LA4	Screw	5535	10221	Left Side Plate
770	10QG0	Screw	5473	1024C	Handle Nut Plate	5537	1021E	Drive Gear
1672	105NC	E Lock	5474	10SWG	Handle Assembly	5538	10228	Drive Shaft
1696	10896	Cast Control Spacer (B)	5475	10QVN	Drive Shaft Shield	5539	10214	Level Wind Protector
2123	10BT2	Click Spring	5477	10259	Star Drag	5540	10216	Pinion Gear
2127	10J1N	Star Drag Spacer	5479	10255	Roller Clutch Water Proof	5541	10225	Clutch Cam
2144	10C47	Drive Shaft Washer	5481	10252	Cast Control Cap	5542	1021U	Clutch Pawl
2224	1085F	Spool Tension Spacer (A)	5484	10LA3	Screw	5543	1021T	Clutch Pawl Spring
2429	108WK	O Ring	5485	10250	Roller Clutch Inner Tube	5544	1021Z	Clutch Plate
3705	10MW2	Anti-Reverse Pawl	5486	1025E	Key Washer	5545	10227	Clutch Guard
4116	103E9	Screw	5487	1024D	Drag Washer	5546	101LQ	Frame
4124	10A70	Star Drag Spring	5488	1024F	Eared Washer	5547	1021Y	Clutch Bar Support
4194	105BP	Ball Bearing	5489	1024E	Key Washer	5548	10220	Clutch Bar Guide
4380	1057X	Retainer	5490	1025D	Drag Washer	5549	1021W	Clutch Lever
4447	10F37	Roller Clutch Bearing	5492	1025A	Drag Washer	5550	1021X	Retention Spring Retainer
4548	10CMP	Brake Collar	5494	1024G	Drive Shaft Retainer	5551	1027Z	Dial Case
4588	10FJZ	Washer	5496	10LCZ	Screw	5552	1020V	Right Side Plate
4729	108WQ	O Ring	5497	10SWD	Line Guide	5556	10U0T	Screw
4872	10J47	Idle Gear	5498	1024P	Stabilizer Bar	5609	10LCT	Screw
4874	10FJB	Pawl Cap	5499	1024Q	Idle Gear	5614	10SUT	Screw
4945	105BR	Ball Bearing	5500	1024R	Worm Shaft Seal	5716	10B2C	Handle Knob Seal
4981	10LA8	O Ring	5501	1024M	Worm Shaft	5717	10LAB	O Ring
5005	1046Y	Yoke	5502	1024N	Level Wind Guard	5718	10EU0	Handle Knob Bushing A
5027	10JDZ	Idle Gear Spring	5503	101GT	O Ring	5719	104UJ	Handle Knob Bushing
5201	104BC	Yoke Spring	5505	10LVJ	Screw	5764	100MT	Handle Knob Assembly
5211	10EZE	Bearing Pressure Spring	5506	10QVM	Clutch Cam Retainer	5765	105CA	Ball Bearing
5218	10EZ7	O Ring	5511	10LCL	Screw	5766	10MD1	Spool Clutch Pin
5264	10D73	Anti-Reverse Ratchet	5518	101J6	Clutch Retention Spring	5852	101J1	Spool Shaft Bushing
5310	10HJG	Idle Gear Pin	5519	10TZC	Clutch Retention Pin	5858	105BT	Ball Bearing
5314	10KXW	Click Plate Retainer	5520	101UL	Cam Lever Retainer	5860	10J26	Star Drag Click Plate
5316	10MFC	Click Pin	5521	1024L	Frame Center Seal	6465	10E4G	Washer
5319	1054D	Bearing Retainer	5522	10SWE	Spool Assembly	6811	100D0	Right Side Plate Assembly
5331	104TX	Spacer	5523	105C2	Ball Bearing	6967	10GR7	Washer
5334	10PXZ	Bushing	5525	1024K	Washer	7373	10R3H	Star Drag Nut
5346	10EX5	Spacer B	5531	10R3C	Handle Nut			
5368	1019C	B Side Plate Cam Lever	5532	10QVP	Star Drag Seal			
5383	10BHQ	Line Guide Pawl	5534	10224	Clutch Button Attachment			

Please note that the number of adjusting washers may not be the same as shown in the exploded views.
(Adjustment will vary with each individual product.)

(231113)_024