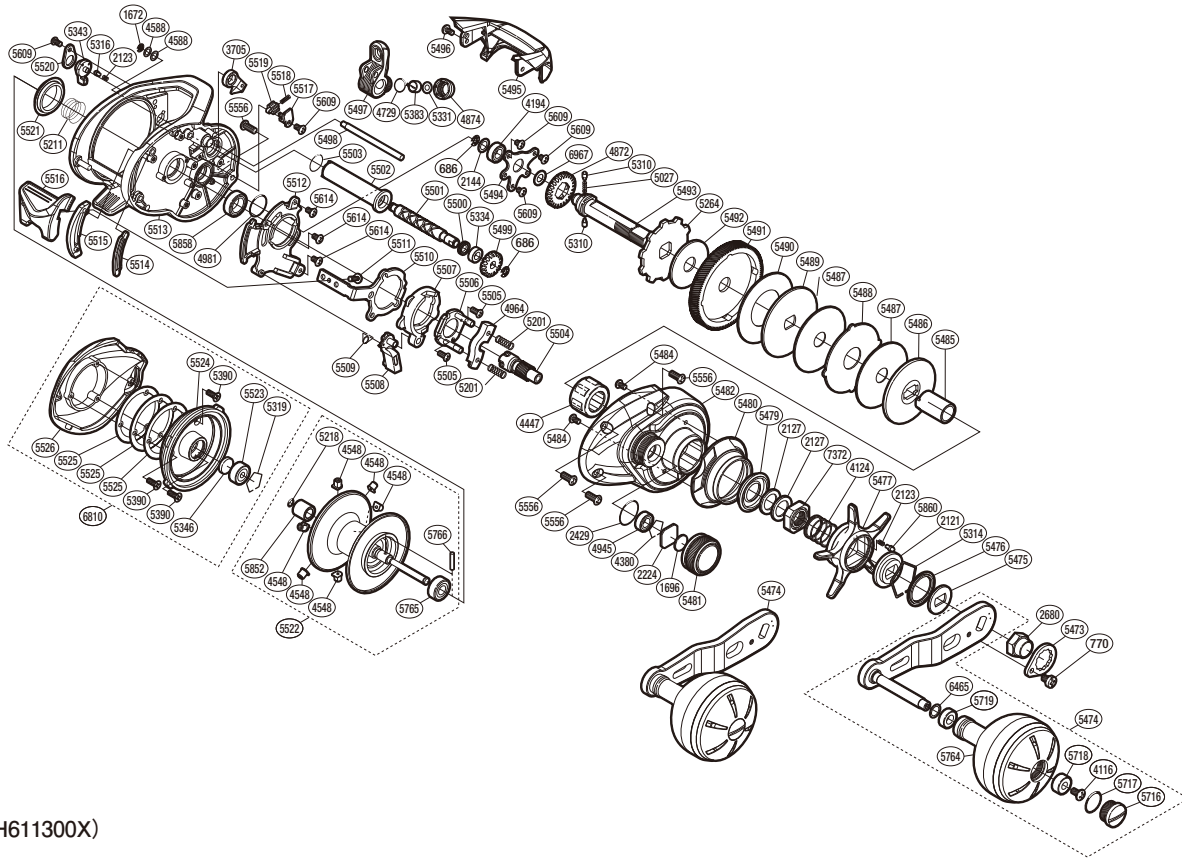


# SHIMANO

## TRAX

## TRX-300AHG



(51RH611300X)

#	Part No.	Description	#	Part No.	Description	#	Part No.	Description
686	105NK	E Lock	5383	10BHQ	Line Guide Pawl	5511	10LCL	Screw
770	10QG0	Screw	5390	10LA4	Screw	5512	10251	Clutch Guard
1672	105NC	E Lock	5473	1024C	Handle Nut Plate	5513	10SWC	Frame
1696	10896	Cast Control Spacer (B)	5474	10SWG	Handle Assembly	5514	101J8	Clutch Bar Support
2123	10BT2	Click Spring	5475	10QVN	Drive Shaft Shield	5515	101JA	Clutch Bar Guide
2127	10J1N	Star Drag Spacer	5477	10259	Star Drag	5516	101J4	Clutch Lever
2144	10C47	Drive Shaft Washer	5479	10255	Roller Clutch Water Proof	5517	101J7	Retention Spring Retainer
2224	1085F	Spool Tension Spacer (A)	5480	10253	Clutch Button Attachment	5518	101J6	Clutch Retention Spring
2429	108WK	O Ring	5481	10252	Cast Control Cap	5519	10TZC	Clutch Retention Pin
2680	10FT1	Handle Nut	5482	1024W	Right Side Plate	5520	101UL	Cam Lever Retainer
3705	10MW2	Anti-Reverse Pawl	5484	10LA3	Screw	5521	1024L	Frame Center Seal
4116	103E9	Screw	5485	10250	Roller Clutch Inner Tube	5522	10SWE	Spool Assembly
4124	10A70	Star Drag Spring	5486	1025E	Key Washer	5523	105C2	Ball Bearing
4194	105BP	Ball Bearing	5487	1024D	Drag Washer	5524	10SWA	Dial Case
4380	1057X	Retainer	5488	1024F	Eared Washer	5525	1024K	Washer
4447	10F37	Roller Clutch Bearing	5489	1024E	Key Washer	5526	101UH	Left Side Plate
4548	10CMP	Brake Collar	5490	1025D	Drag Washer	5532	10QVP	Star Drag Seal
4588	10FJZ	Washer	5491	1025C	Drive Gear	5556	10U0T	Screw
4729	108WQ	O Ring	5492	1025A	Drag Washer	5609	10LCT	Screw
4872	10J47	Idle Gear	5493	10257	Drive Shaft	5614	10SUT	Screw
4874	10FJB	Pawl Cap	5494	1024G	Drive Shaft Retainer	5716	10B2C	Handle Knob Seal
4945	105BR	Ball Bearing	5495	1024U	Level Wind Protector	5717	10LAB	O Ring
4964	1046X	Yoke	5496	10LCZ	Screw	5718	10EU0	Handle Knob Bushing A
4981	10LA8	O Ring	5497	10SWD	Line Guide	5719	104UJ	Handle Knob Bushing
5027	10JDZ	Idle Gear Spring	5498	1024P	Stabilizer Bar	5764	100MT	Handle Knob Assembly
5201	104BC	Yoke Spring	5499	1024Q	Idle Gear	5765	105CA	Ball Bearing
5211	10EZE	Bearing Pressure Spring	5500	1024R	Worm Shaft Seal	5766	10MD1	Spool Clutch Pin
5218	10EZ7	O Ring	5501	1024M	Worm Shaft	5852	101J1	Spool Shaft Bushing
5264	10D73	Anti-Reverse Ratchet	5502	1024N	Level Wind Guard	5858	105BT	Ball Bearing
5310	10HJG	Idle Gear Pin	5503	101GT	O Ring	5860	10J26	Star Drag Click Plate
5314	10KXW	Click Plate Retainer	5504	1024Z	Pinion Gear	6465	10E4G	Washer
5316	10MFC	Click Pin	5505	10LVJ	Screw	6810	10T4K	Left Side Plate Assembly
5319	1054D	Bearing Retainer	5506	10QVM	Clutch Cam Retainer	6967	10GR7	Washer
5331	104TX	Spacer	5507	10254	Clutch Cam	7372	10A3X	Star Drag Nut
5334	10PXZ	Bushing	5508	101J2	Clutch Pawl			
5343	1019B	Side Plate Cam Lever	5509	101J3	Clutch Pawl Spring			
5346	10EX5	Spacer B	5510	101J9	Clutch Plate			

Please note that the number of adjusting washers may not be the same as shown in the exploded views.  
(Adjustment will vary with each individual product.)