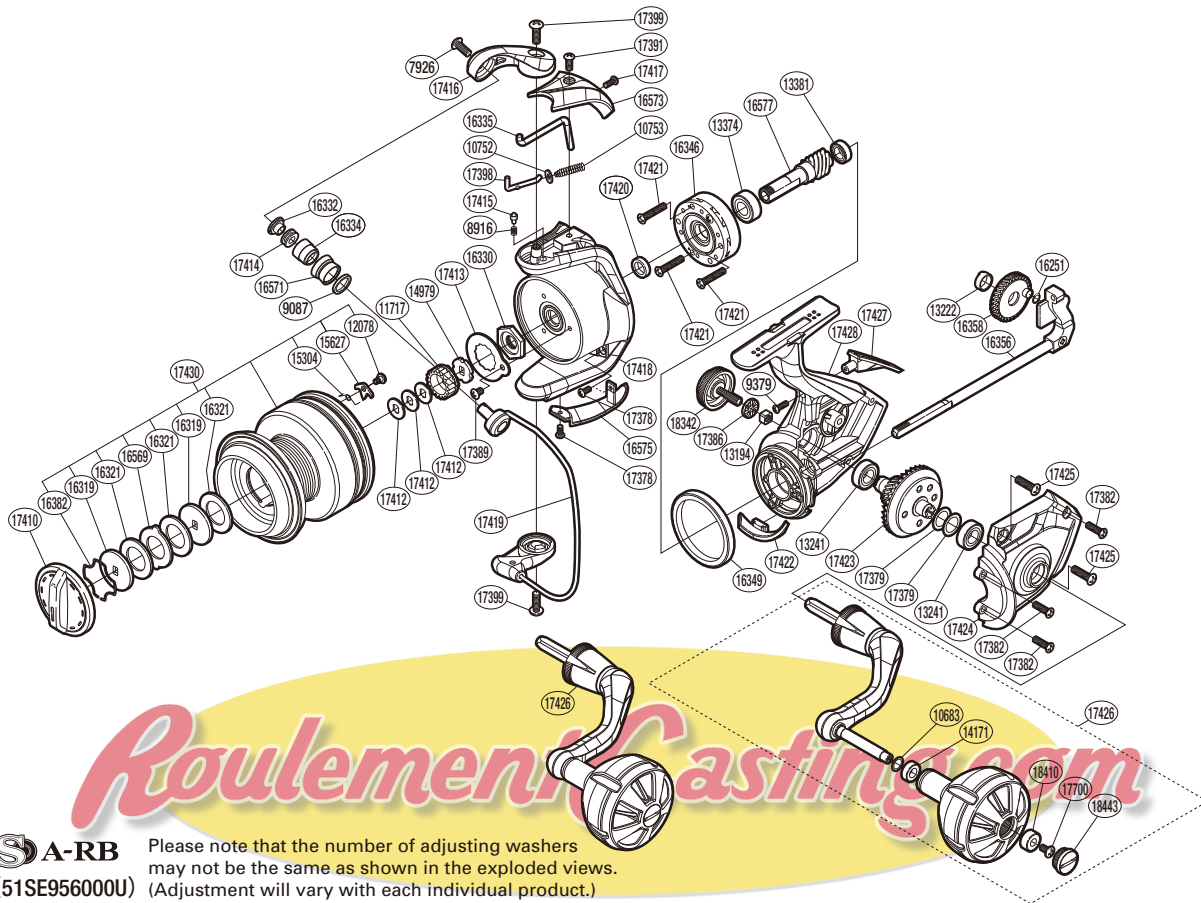


# SHIMANO

**SOCORRO SW S A-RB**

**SOC-6000SW**



**S A-RB**  
(51SE956000U)

Please note that the number of adjusting washers may not be the same as shown in the exploded views. (Adjustment will vary with each individual product.)

Part No.	Description	Part No.	Description	Part No.	Description
RD 7926	Screw	RD16334	Line Roller Bushing	RD17413	Rotor Nut Retainer
RD 8916	Click Spring	RD16335	Bail Trip Lever	RD17414	Line Roller Collar
RD 9087	Line Roller Spacer	RD16346	Roller Clutch Assembly	RD17415	Click Pin
RD 9379	Screw	RD16349	Friction Ring	RD17416	Bail Arm
RD10683	Washer	RD16356	Main Shaft Assembly	RD17417	Screw
RD10752	Bail Spring Guide A Support	RD16358	Oscillating Gear	RD17418	Rotor
RD10753	Bail Spring	RD16382	Drag Washers Retainer	RD17419	Bail Assembly
RD11717	Spool Support A	RD16569	Eared Washer	RD17420	Rotor Bushing
RD12078	Screw	RD16571	Line Roller	RD17421	Screw
RD13194	Handle Screw Lock	RD16573	Bail Spring Cover	RD17422	Bail Trip Strike
RD13222	Oscillating Gear Bushing	RD16575	Bail Hold Support Guard	RD17423	Drive Gear
RD13241	Ball Bearing	RD16577	Pinion Gear	RD17424	Side Cover
RD13374	Ball Bearing	RD17378	Screw	RD17425	Screw
RD13381	Ball Bearing	RD17379	Washer	RD17426	Handle Assembly
RD14171	Handle Knob Bushing	RD17382	Screw	RD17427	Body I.D Plate
RD14979	Spool Support B	RD17386	Handle Screw Cap Spacer	RD17428	Body
RD15304	Drag Click Spring	RD17389	Screw	RD17430	Spool Assembly
RD15627	Drag Click	RD17391	Screw	RD17700	Screw
RD16319	Key Washer	RD17398	Bail Spring Guide A	RD18342	Handle Screw Cap Assembly
RD16321	Drag Washer	RD17399	Screw	RD18410	Handle Knob Bushing A
RD16330	Rotor Nut	RD17410	Drag Knob	RD18443	Handle Knob Seal
RD16332	Line Roller Washer	RD17412	Spool Washer		