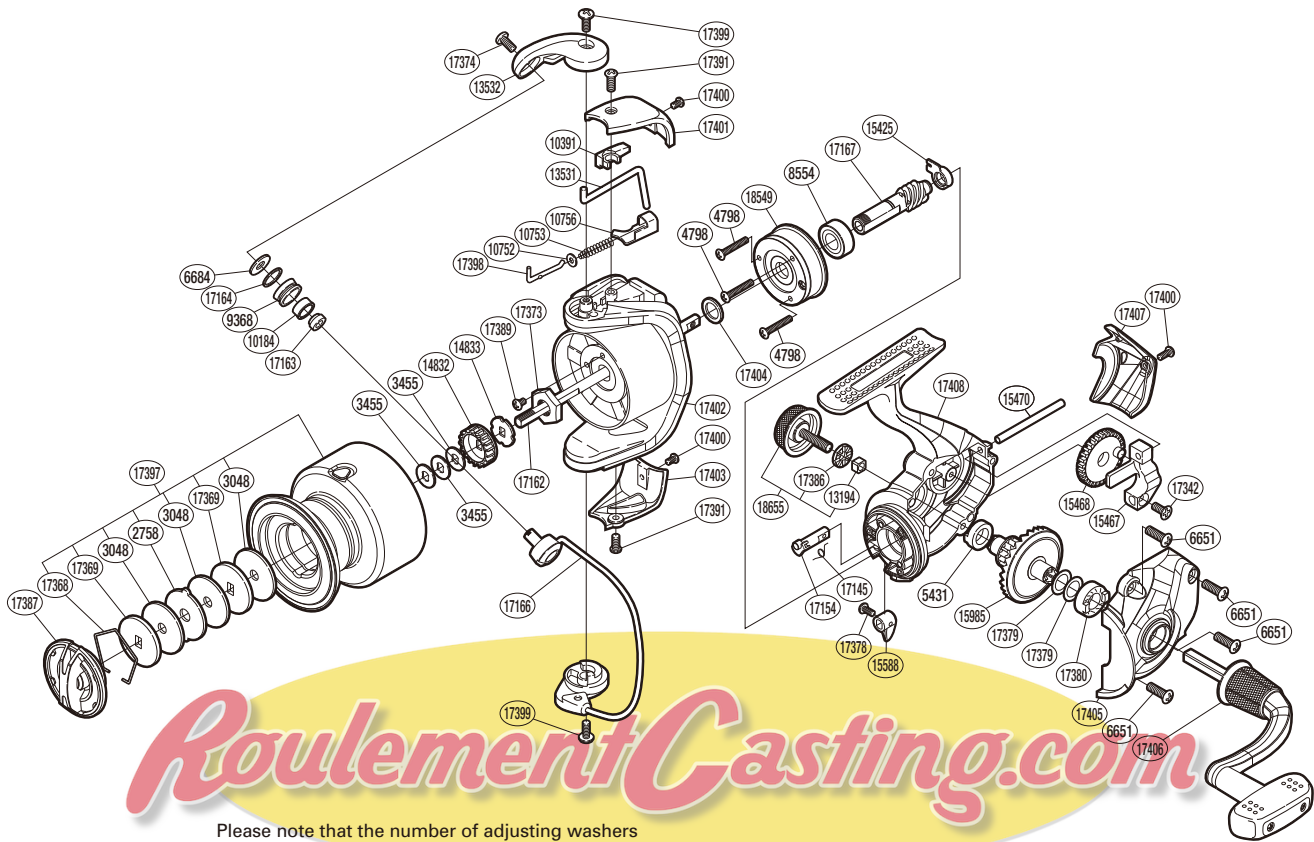


# SHIMANO

## SIENNA

SN-4000FE



Please note that the number of adjusting washers may not be the same as shown in the exploded views. (Adjustment will vary with each individual product.)

(51SE724003X)

Part No.	Description	Part No.	Description	Part No.	Description
RD 2758	Eared Washer	RD15467	Oscillating Slider	RD17386	Handle Screw Cap Spacer
RD 3048	Drag Washer	RD15468	Oscillating Gear	RD17387	Drag Knob
RD 3455	Spool Washer	RD15470	Oscillating Guide	RD17389	Screw
RD 4798	Screw	RD15588	Anti-Reverse Lever	RD17391	Screw
RD 5431	Drive Gear Bushing	RD15985	Drive Gear	RD17397	Spool Assembly
RD 6651	Screw	RD17145	Anti-Reverse Cam Spring	RD17398	Bail Spring Guide A
RD 6684	Line Roller Spacer	RD17154	Anti-Reverse Cam	RD17399	Screw
RD 8554	Ball Bearing	RD17162	Main Shaft	RD17400	Screw
RD 9368	Line Roller	RD17163	Line Roller Collar	RD17401	Bail Spring Cover
RD10184	Line Roller Bushing	RD17164	Line Roller Washer	RD17402	Rotor
RD10391	Bail Trip Cover	RD17166	Bail Assembly	RD17403	Bail Hold Support Guard
RD10752	Bail Spring Guide A Support	RD17167	Pinion Gear	RD17404	Washer
RD10753	Bail Spring	RD17342	Screw	RD17405	Side Cover
RD10756	Bail Spring Seat	RD17368	Drag Washers Retainer	RD17406	Handle Assembly
RD13194	Handle Screw Lock	RD17369	Key Washer	RD17407	Rear Protector
RD13531	Bail Trip Lever	RD17373	Rotor Nut	RD17408	Body
RD13532	Bail Arm	RD17374	Screw	RD18549	Roller Clutch Assembly
RD14832	Spool Support A	RD17378	Screw	RD18655	Handle Screw Cap
RD14833	Spool Support B	RD17379	Washer		
RD15425	Pinion Gear Bushing	RD17380	Drive Gear Bushing		