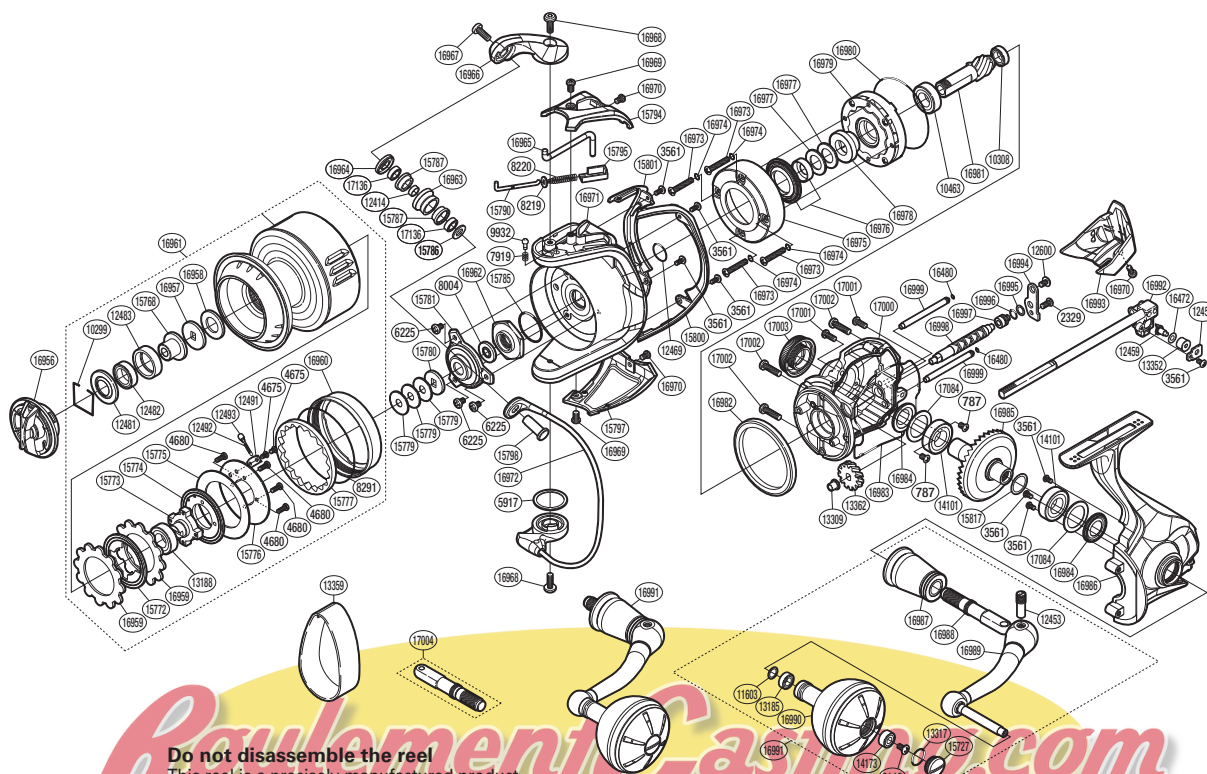


SHIMANO

TWIN POWER SA-RB

TP-SW8000PG



Do not disassemble the reel

This reel is a precisely manufactured product.

Disassembling the reel may result in decreased performance.

Problems caused by unauthorized disassembly are not covered by warranty.

Please note that the number of adjusting washers may not be the same as shown in the exploded views.

(Adjustment will vary with each individual product.)

(51SE51P084X)

Part No.	Description	Part No.	Description	Part No.	Description		
RD 0787	Screw	**	RD15772	Spool Drag Disk	RD16974	O Ring	
RD 2110	Screw		RD15773	Bearing Bushing	RD16975	Roller Clutch Water Proof Cover	
RD 2329	Screw		RD15774	Spool Drag Disk	RD16976	Roller Clutch Water Proof Set	
RD 3561	Screw	**	RD15775	Bearing Water Proof	RD16977	Washer	
RD 4675	Screw		RD15776	Drag Plate Washer	RD16978	Roller Clutch Inner	
RD 4680	Screw		RD15777	Drag Click Ratchet	RD16979	Roller Clutch Assembly	
RD 5917	Washer		RD15779	Spool Washer	RD16980	O Ring	
RD 6225	Screw		RD15780	Spool Support	RD16981	Pinion Gear	
RD 7919	Click Spring		RD15781	Nut Lock Plate	RD16982	Friction Ring	
RD 8004	Bearing Water Proof		RD15785	O Ring	RD16983	Body Seal	
RD 8219	Spring Guide A Support		RD15786	Line Roller Support Collar	****	RD16984	Bearing Water Proof
RD 8220	Bail Spring		RD15787	Line Roller Bushing	****	RD16985	Drive Gear
RD 8291	O Ring		RD15790	Bail Spring Guide A		RD16986	Side Cover
RD 9932	Click Pin		RD15794	Bail Spring Cover		RD16987	Handle Shaft Cover
RD10299	Drag Washers Retainer		RD15795	Bail Spring Seat		RD16988	Handle Shaft (left)
RD10308	Ball Bearing	**	RD15797	Bail Hold Support Guard		RD16989	Handle Shank Assembly
RD10463	Ball Bearing	**	RD15798	Line Roller Support	****	RD16990	Handle Knob
RD11603	Washer		RD15800	Rotor Guard A		RD16991	Handle Assembly
RD12414	Bearing Spacer	****	RD15801	Rotor Guard B		RD16992	Main Shaft Assembly
RD12453	Handle Shaft Screw		RD15817	Washer	***	RD16993	Rear Protector
RD12457	Oscillating Pawl Cover		RD16472	Washer	***	RD16994	Worm Shaft Retainer
RD12459	Oscillating Pawl	***	RD16480	O Ring		RD16995	Washer
RD12469	O Ring		RD16956	Drag Knob		RD16996	O Ring
RD12481	Seal Plate		RD16957	Key Washer		RD16997	Worm Bushing (rear)
RD12482	Ball Bearing		RD16958	Drag Washer		RD16998	Worm Shaft
RD12483	Thrust Bushing		RD16959	Drag Washer		RD16999	Oscillating Guide
RD12491	Click Spring Holder		RD16960	Drag Cover		RD17000	Body
RD12492	Click Spring		RD16961	Spool Assembly		RD17001	Screw
RD12493	Click Pin		RD16962	Rotor Nut		RD17002	Screw
RD12600	Screw		RD16963	Line Roller	****	RD17003	Handle Screw Cap
RD13185	Ball Bearing		RD16964	Line Roller Plate	****	RD17084	Washer
RD13188	Ball Bearing		RD16965	Bail Trip Lever		RD17136	Ball Bearing
RD13309	Worm Bushing (front)	***	RD16966	Bail Arm			
RD13317	O Ring		RD16967	Screw	****	RD13359	Line Band (accessory)
RD13352	Oscillating Slider Bushing	***	RD16968	Screw		RD17004	Handle Shaft (right) (accessory)
RD13362	Idle Gear	*	RD16969	Screw			
RD14101	Ball Bearing	**	RD16970	Screw		PK 0297	Gear Set
RD14173	Ball Bearing		RD16971	Rotor		PK 0298	Bearing Set
RD15727	Handle Knob Seal		RD16972	Bail Assembly		PK 0299	Oscillation Set
RD15768	Bearing Support		RD16973	Screw		PK 0389	Line Roller Set