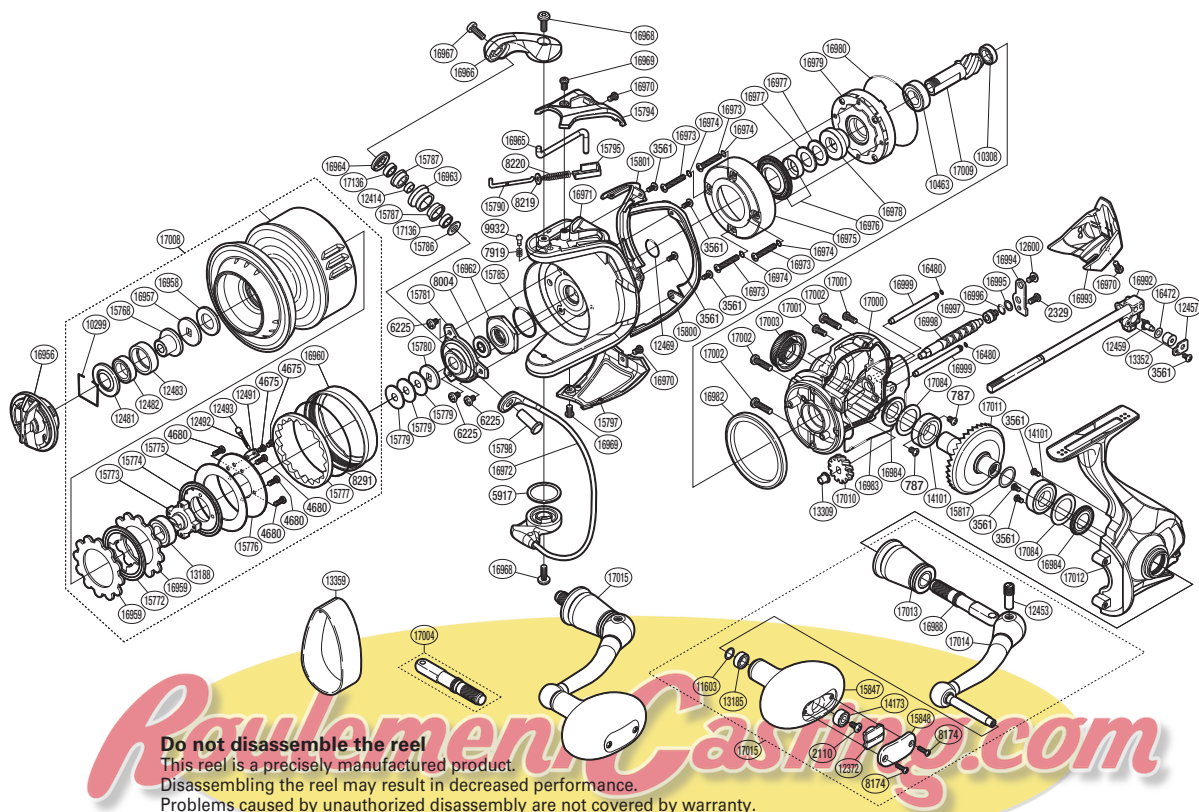


# SHIMANO

TWIN POWER SA-RB

TP-SW14000XG



**Do not disassemble the reel**

This reel is a precisely manufactured product. Disassembling the reel may result in decreased performance. Problems caused by unauthorized disassembly are not covered by warranty.

Please note that the number of adjusting washers may not be the same as shown in the exploded views. (Adjustment will vary with each individual product.)

(51SE51U143X)

Part No.	Description	Part No.	Description	Part No.	Description		
RD 0787	Screw	**	RD15774	Spool Drag Disk	RD16976	Roller Clutch Water Proof Set	
RD 2110	Screw		RD15775	Bearing Water Proof	RD16977	Washer	
RD 2329	Screw		RD15776	Drag Plate Washer	RD16978	Roller Clutch Inner	
RD 3561	Screw	**	RD15777	Drag Click Ratchet	RD16979	Roller Clutch Assembly	
RD 4675	Screw		RD15779	Spool Washer	RD16980	O Ring	
RD 4680	Screw		RD15780	Spool Support	RD16982	Friction Ring	
RD 5917	Washer		RD15781	Nut Lock Plate	RD16983	Body Seal	
RD 6225	Screw		RD15785	O Ring	RD16984	Bearing Water Proof	
RD 7919	Click Spring		RD15786	Line Roller Support Collar	****	RD16988	Handle Shaft (left)
RD 8004	Bearing Water Proof		RD15787	Line Roller Bushing	****	RD16992	Main Shaft Assembly
RD 8174	Screw		RD15790	Bail Spring Guide A		RD16993	Rear Protector
RD 8219	Spring Guide A Support		RD15794	Bail Spring Cover		RD16994	Worm Shaft Retainer
RD 8220	Bail Spring		RD15795	Bail Spring Seat		RD16995	Washer
RD 8291	O Ring		RD15797	Bail Hold Support Guard		RD16996	O Ring
RD 9932	Click Pin		RD15798	Line Roller Support	****	RD16997	Worm Bushing (rear)
RD10299	Drag Washers Retainer		RD15800	Rotor Guard A		RD16998	Worm Shaft
RD10308	Ball Bearing	**	RD15801	Rotor Guard B		RD16999	Oscillating Guide
RD10463	Ball Bearing	**	RD15817	Washer	**	RD17000	Body
RD11603	Washer		RD15847	Handle Knob		RD17001	Screw
RD12372	Handle Knob Seal		RD15848	Handle Knob I.D. Plate		RD17002	Screw
RD12414	Bearing Spacer	****	RD16472	Washer	***	RD17003	Handle Screw Cap
RD12453	Handle Shaft Screw		RD16480	O Ring		RD17008	Spool Assembly
RD12457	Oscillating Pawl Cover		RD16956	Drag Knob		RD17009	Pinion Gear
RD12459	Oscillating Pawl	***	RD16957	Key Washer		RD17010	Idle Gear
RD12469	O Ring		RD16958	Drag Washer		RD17011	Drive Gear
RD12481	Seal Plate		RD16959	Drag Washer		RD17012	Side Cover
RD12482	Ball Bearing		RD16960	Drag Cover		RD17013	Handle Shaft Cover
RD12483	Thrust Bushing		RD16962	Rotor Nut		RD17014	Handle Shank Assembly
RD12491	Click Spring Holder		RD16963	Line Roller	****	RD17015	Handle Assembly
RD12492	Click Spring		RD16964	Line Roller Plate	****	RD17084	Washer
RD12493	Click Pin		RD16965	Bail Trip Lever		RD17136	Ball Bearing
RD12600	Screw		RD16966	Bail Arm			
RD13185	Ball Bearing		RD16967	Screw	****		
RD13188	Ball Bearing		RD16968	Screw		RD13359	Line Band (accessory)
RD13309	Worm Bushing (front)	***	RD16969	Screw		RD17004	Handle Shaft (right) (accessory)
RD13352	Oscillating Slider Bushing	***	RD16970	Screw			
RD14101	Ball Bearing	**	RD16971	Rotor			
RD14173	Ball Bearing		RD16972	Bail Assembly		PK 0301	Gear Set
RD15768	Bearing Support		RD16973	Screw		PK 0298	Bearing Set
RD15772	Spool Drag Disk		RD16974	O Ring		PK 0299	Oscillation Set
RD15773	Bearing Bushing		RD16975	Roller Clutch Water Proof Cover		PK 0389	Line Roller Set