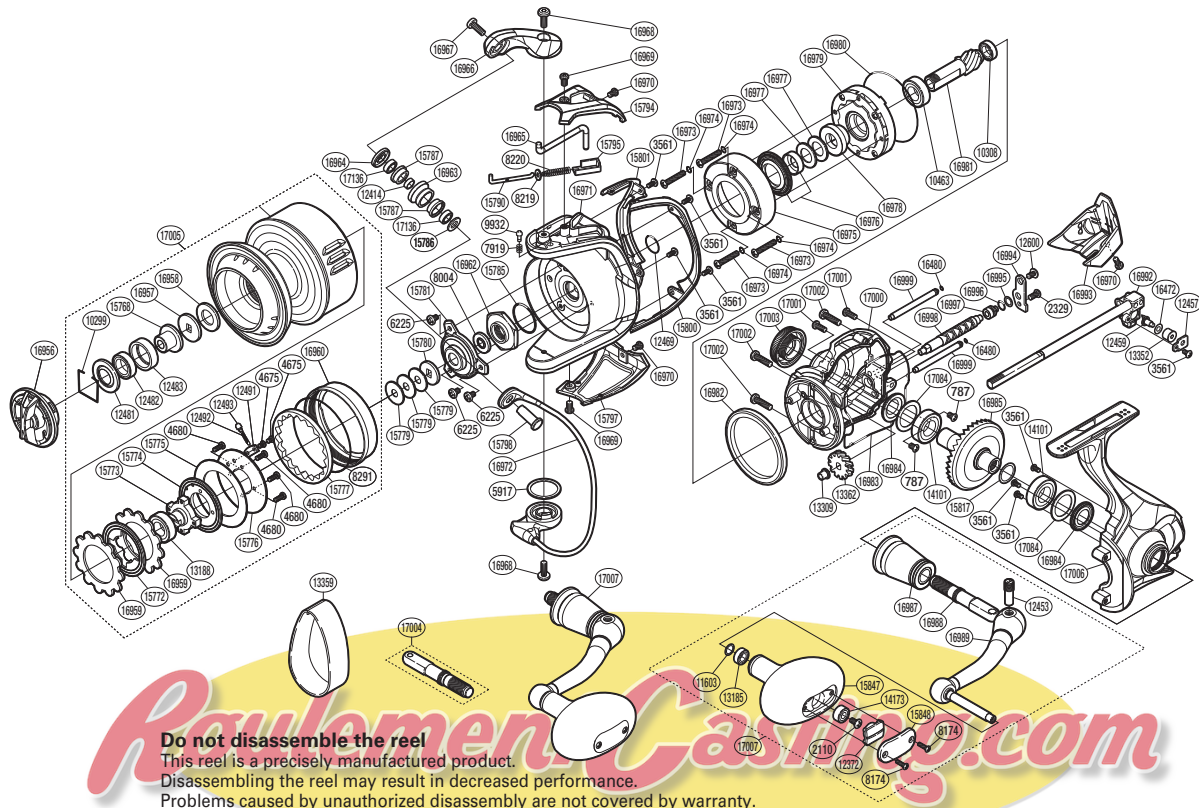


SHIMANO

TWIN POWER SA-RB

TP-SW10000PG



Do not disassemble the reel

This reel is a precisely manufactured product. Disassembling the reel may result in decreased performance. Problems caused by unauthorized disassembly are not covered by warranty.

Please note that the number of adjusting washers may not be the same as shown in the exploded views.

(51SE51R104X)

(Adjustment will vary with each individual product.)

Part No.	Description	Part No.	Description	Part No.	Description		
RD 0787	Screw	**	RD15773	Bearing Bushing	RD16975	Roller Clutch Water Proof Cover	
RD 2110	Screw		RD15774	Spool Drag Disk	RD16976	Roller Clutch Water Proof Set	
RD 2329	Screw		RD15775	Bearing Water Proof	RD16977	Washer	
RD 3561	Screw	**	RD15776	Drag Plate Washer	RD16978	Roller Clutch Inner	
RD 4675	Screw		RD15777	Drag Click Ratchet	RD16979	Roller Clutch Assembly	
RD 4680	Screw		RD15779	Spool Washer	RD16980	O Ring	
RD 5917	Washer		RD15780	Spool Support	RD16981	Pinion Gear	
RD 6225	Screw		RD15781	Nut Lock Plate	RD16982	Friction Ring	
RD 7919	Click Spring		RD15785	O Ring	RD16983	Body Seal	
RD 8004	Bearing Water Proof		RD15786	Line Roller Support Collar	RD16984	Bearing Water Proof	
RD 8174	Screw		RD15787	Line Roller Bushing	RD16985	Drive Gear	
RD 8219	Spring Guide A Support		RD15790	Bail Spring Guide A	RD16987	Handle Shaft Cover	
RD 8220	Bail Spring		RD15794	Bail Spring Cover	RD16988	Handle Shaft (left)	
RD 8291	O Ring		RD15795	Bail Spring Seat	RD16989	Handle Shank Assembly	
RD 9932	Click Pin		RD15797	Bail Hold Support Guard	RD16992	Main Shaft Assembly	
RD10299	Drag Washers Retainer		RD15798	Line Roller Support	RD16993	Rear Protector	
RD10308	Ball Bearing	**	RD15800	Rotor Guard A	RD16994	Worm Shaft Retainer	
RD10463	Ball Bearing	**	RD15801	Rotor Guard B	RD16995	Washer	
RD11603	Washer		RD15817	Washer	RD16996	O Ring	
RD12372	Handle Knob Seal		RD15847	Handle Knob	RD16997	Worm Bushing (rear)	
RD12414	Bearing Spacer	****	RD15848	Handle Knob I.D. Plate	RD16998	Worm Shaft	
RD12453	Handle Shaft Screw		RD16472	Washer	RD16999	Oscillating Guide	
RD12457	Oscillating Pawl Cover		RD16480	O Ring	RD17000	Body	
RD12459	Oscillating Pawl	***	RD16956	Drag Knob	RD17001	Screw	
RD12469	O Ring		RD16957	Key Washer	RD17002	Screw	
RD12481	Seal Plate		RD16958	Drag Washer	RD17003	Handle Screw Cap	
RD12482	Ball Bearing		RD16959	Drag Washer	RD17005	Spool Assembly	
RD12483	Thrust Bushing		RD16960	Drag Cover	RD17006	Side Cover	
RD12491	Click Spring Holder		RD16962	Rotor Nut	RD17007	Handle Assembly	
RD12492	Click Spring		RD16963	Line Roller	RD17084	Washer	
RD12493	Click Pin		RD16964	Line Roller Plate	RD17136	Ball Bearing	
RD12600	Screw		RD16965	Bail Trip Lever			
RD13185	Ball Bearing		RD16966	Bail Arm			
RD13188	Ball Bearing		RD16967	Screw	****	RD13359	Line Band (accessory)
RD13309	Worm Bushing (front)	***	RD16968	Screw		RD17004	Handle Shaft (right) (accessory)
RD13352	Oscillating Slider Bushing	***	RD16969	Screw			
RD13362	Idle Gear	*	RD16970	Screw			
RD14101	Ball Bearing	**	RD16971	Rotor		PK 0297	Gear Set
RD14173	Ball Bearing		RD16972	Bail Assembly		PK 0298	Bearing Set
RD15768	Bearing Support		RD16973	Screw		PK 0299	Oscillation Set
RD15772	Spool Drag Disk		RD16974	O Ring		PK 0389	Line Roller Set