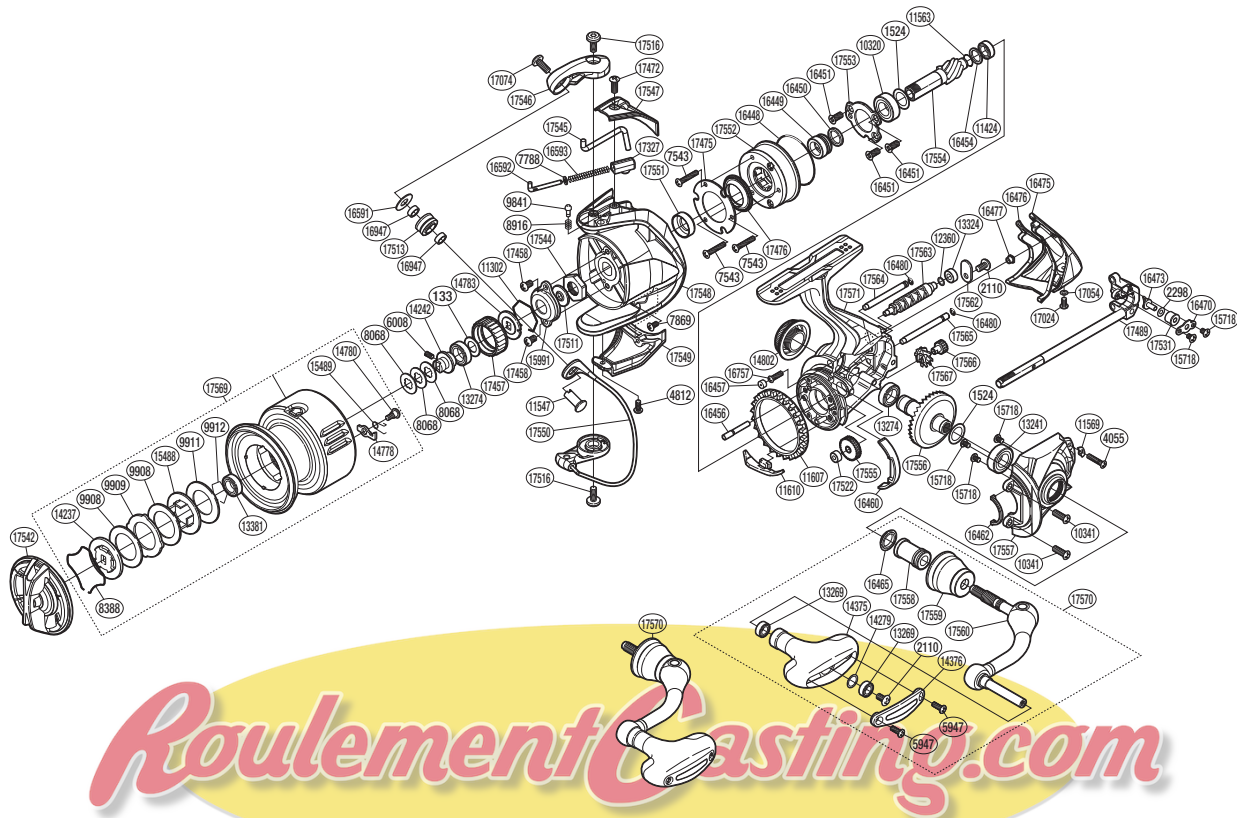


SHIMANO

TWIN POWER SA-RB

TP-C3000



Please note that the number of adjusting washers may not be the same as shown in the exploded views.
(Adjustment will vary with each individual product.)

(5SE53E029)

Part No.	Description	Part No.	Description	Part No.	Description
RD 0133	Anti-Reverse Pawl Spacer	RD14778	Drag Click	RD17511	Bearing Water Proof
RD 1524	Washer	RD14780	Screw	RD17513	Line Roller(With Bearing) ****
RD 2110	Screw	RD14783	Spool Support	RD17516	Screw
RD 2298	Spacer	RD14802	Handle Screw Cap	RD17522	Worm Bushing (Front) ***
RD 4055	Screw	RD15488	Key Washer	RD17531	Oscillating Slider Bushing ***
RD 4812	Screw	RD15489	Drag Click Spring	RD17542	Drag Knob
RD 5947	Screw	RD15718	Screw	RD17544	Rotor Nut
RD 6008	Set Screw	RD15991	Rotor Nut Lock Plate	RD17545	Bail Trip Lever
RD 7543	Screw	RD16448	O Ring	RD17546	Bail Arm
RD 7788	Spring Guide A Support	RD16449	Roller Clutch Inner	RD17547	Bail Spring Cover
RD 7869	Screw	RD16450	Roller Clutch Inner Spacer	RD17548	Rotor
RD 8068	Spool Washer	RD16451	Screw	RD17549	Bail Hold Support Guard
RD 8388	Drag Washers Retainer	RD16454	Pinion Gear Spacer	RD17550	Bail Assembly
RD 8916	Click Spring	RD16456	Idle Gear B Shaft	RD17551	Rotor Ring
RD 9841	Click Pin	RD16457	Body Flange Seal	RD17552	Roller Clutch Assembly
RD 9908	Drag Washer	RD16460	Friction Ring Spacer	RD17553	Bearing Retainer
RD 9909	Eared Washer	RD16462	Flange Water Proof	RD17554	Pinion Gear *
RD 9911	Drag Washer	RD16465	Handle Shaft Seal	RD17555	Idle Gear *
RD 9912	Bearing Retainer	RD16470	Oscillating Pawl Cover	RD17556	Drive Gear *
RD10320	Ball Bearing **	RD16473	Oscillating Pawl ***	RD17557	Side Cover
RD10341	Screw	RD16475	Rear Protector	RD17558	Handle Shaft Cover B
RD11302	Ratchet Spring	RD16476	Rear Shield	RD17559	Handle Shaft Cover
RD11424	Ball Bearing **	RD16477	Rear Protector Collar	RD17560	Handle Shank Assembly
RD11547	Line Roller Support ****	RD16480	O Ring	RD17562	Worm Shaft Retainer
RD11563	Worm Shaft Ring **	RD16591	Line Roller Plate ****	RD17563	Worm Shaft ***
RD11569	Screw Washer	RD16592	Bail Spring Guide A	RD17564	Oscillating Guide A
RD11607	Friction Ring	RD16593	Bail Spring	RD17565	Oscillating Guide B
RD11610	Bail Trip Strike	RD16757	Screw	RD17566	Idle Gear B S *
RD12360	Washer	RD16947	Bearing Spacer ****	RD17567	Idle Gear B L *
RD13241	Ball Bearing **	RD17024	Screw	RD17569	Spool Assembly
RD13269	Ball Bearing	RD17054	Washer	RD17570	Handle Assembly
RD13274	Ball Bearing **	RD17074	Screw ****	RD17571	Body
RD13324	Worm Bushing ***	RD17327	Bail Spring Seat		
RD13381	Ball Bearing	RD17457	Drag Click Ratchet		
RD14237	Key Washer	RD17458	Screw		
RD14242	Bearing Bushing	RD17472	Screw	PK 0347	Gear Set *
RD14279	Washer	RD17475	Roller Clutch Reinforce	PK 0339	Bearing Set **
RD14375	Handle Knob	RD17476	Roller Clutch Water Proof	PK 0348	Oscillation Set ***
RD14376	Handle Knob I.D. Plate	RD17489	Main Shaft Assembly	PK 0346	Line Roller Set ****