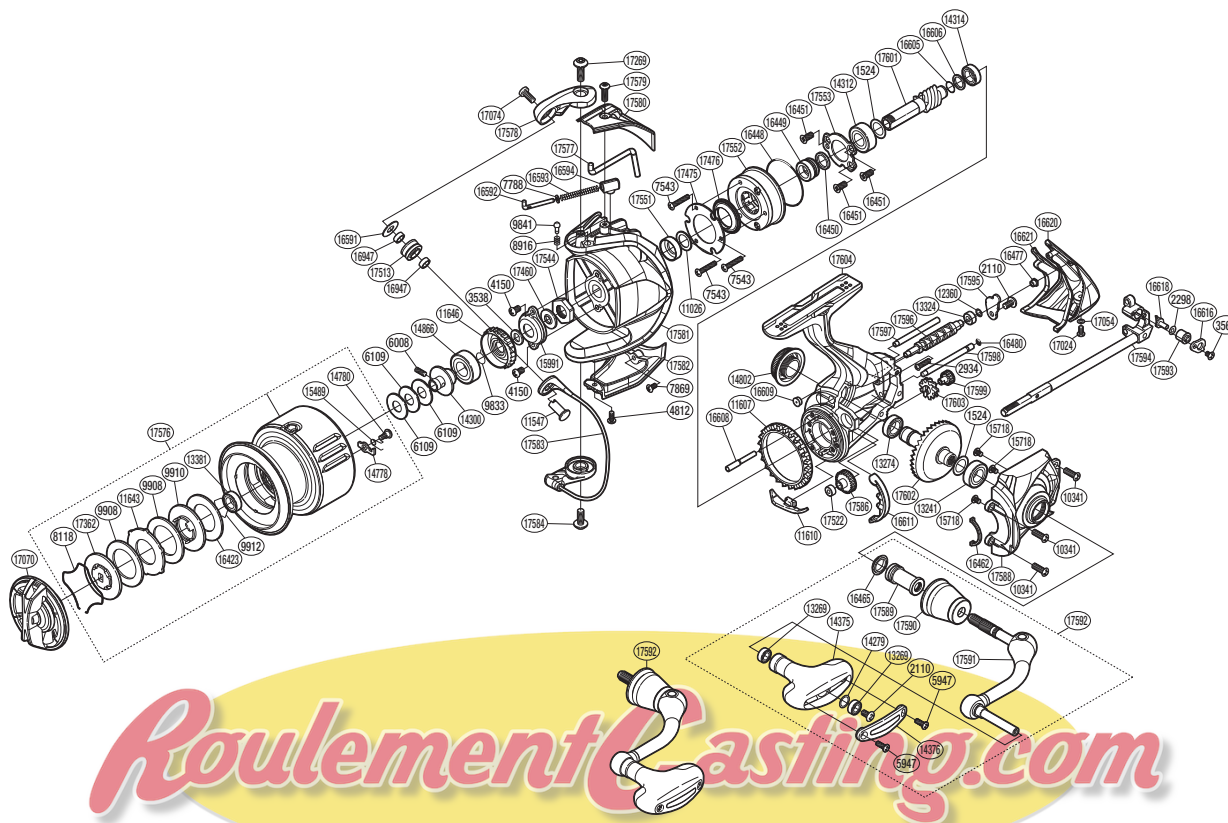


SHIMANO

TWIN POWER SA-RB

TP-4000PG



Please note that the number of adjusting washers may not be the same as shown in the exploded views.
(Adjustment will vary with each individual product.)

(5SE53H044)

| Part No. | Description | Part No. | Description | Part No. | Description |
|----------|------------------------|----------|----------------------------|----------|--------------------------------|
| RD 1524 | Washer | RD14376 | Handle Knob I.D. Plate | RD17476 | Roller Clutch Water Proof |
| RD 2110 | Screw | RD14778 | Drag Click | RD17513 | Line Roller(With Bearing) **** |
| RD 2298 | Spacer | RD14780 | Screw | RD17522 | Worm Bushing (Front) *** |
| RD 2934 | Screw | RD14802 | Handle Screw Cap | RD17544 | Rotor Nut |
| RD 3538 | Spool Support | RD14866 | Ball Bearing | RD17551 | Rotor Ring |
| RD 3561 | Screw | RD15489 | Drag Click Spring | RD17552 | Roller Clutch Assembly |
| RD 4150 | Screw | RD15718 | Screw | RD17553 | Bearing Retainer |
| RD 4812 | Screw | RD15991 | Rotor Nut Lock Plate | RD17576 | Spool Assembly |
| RD 5947 | Screw | RD16423 | Drag Washer | RD17577 | Bail Trip Lever |
| RD 6008 | Set Screw | RD16448 | O Ring | RD17578 | Bail Arm |
| RD 6109 | Spool Washer | RD16449 | Roller Clutch Inner | RD17579 | Screw |
| RD 7543 | Screw | RD16450 | Roller Clutch Inner Spacer | RD17580 | Bail Spring Cover |
| RD 7788 | Spring Guide A Support | RD16451 | Screw | RD17581 | Rotor |
| RD 7869 | Screw | RD16462 | Flange Water Proof | RD17582 | Bail Hold Support Guard |
| RD 8118 | Drag Washers Retainer | RD16465 | Handle Shaft Seal | RD17583 | Bail Assembly |
| RD 8916 | Click Spring | RD16477 | Rear Protector Collar | RD17584 | Screw |
| RD 9833 | Ratchet Spring | RD16480 | O Ring | RD17586 | Idle Gear * |
| RD 9841 | Click Pin | RD16591 | Line Roller Plate | RD17588 | Side Cover |
| RD 9908 | Drag Washer | RD16592 | Bail Spring Guide A | RD17589 | Handle Shaft Cover B |
| RD 9910 | Key Washer | RD16593 | Bail Spring | RD17590 | Handle Shaft Cover |
| RD 9912 | Bearing Retainer | RD16594 | Bail Spring Seat | RD17591 | Handle Shank Assembly |
| RD10341 | Screw | RD16605 | O Ring | RD17592 | Handle Assembly |
| RD11026 | Washer | RD16606 | Pinion Gear Spacer | RD17593 | Oscillating Slider Bushing *** |
| RD11547 | Line Roller Support | RD16608 | Idle Gear B Shaft | RD17594 | Main Shaft Assembly |
| RD11607 | Friction Ring | RD16609 | Body Flange Seal | RD17595 | Worm Shaft Retainer |
| RD11610 | Bail Trip Strike | RD16611 | Friction Ring Spacer | RD17596 | Worm Shaft *** |
| RD11643 | Eared Washer | RD16616 | Oscillating Pawl Cover | RD17597 | Oscillating Guide A |
| RD11646 | Drag Click Ratchet | RD16618 | Oscillating Pawl | RD17598 | Oscillating Guide B |
| RD12360 | Washer | RD16620 | Rear Protector | RD17599 | Idle Gear B S * |
| RD13241 | Ball Bearing | RD16621 | Rear Shield | RD17601 | Pinion Gear * |
| RD13269 | Ball Bearing | RD16947 | Bearing Spacer | RD17602 | Drive Gear * |
| RD13274 | Ball Bearing | RD17024 | Screw | RD17603 | Idle Gear B L * |
| RD13324 | Worm Bushing | RD17054 | Washer | RD17604 | Body |
| RD13381 | Ball Bearing | RD17070 | Drag Knob | | |
| RD14279 | Washer | RD17074 | Screw | PK 0353 | Gear Set * |
| RD14300 | Bearing Bushing | RD17269 | Screw | PK 0351 | Bearing Set ** |
| RD14312 | Ball Bearing | RD17362 | Key Washer | PK 0352 | Oscillation Set *** |
| RD14314 | Ball Bearing | RD17460 | Bearing Water Proof | PK 0346 | Line Roller Set **** |
| RD14375 | Handle Knob | RD17475 | Roller Clutch Reinforce | | |