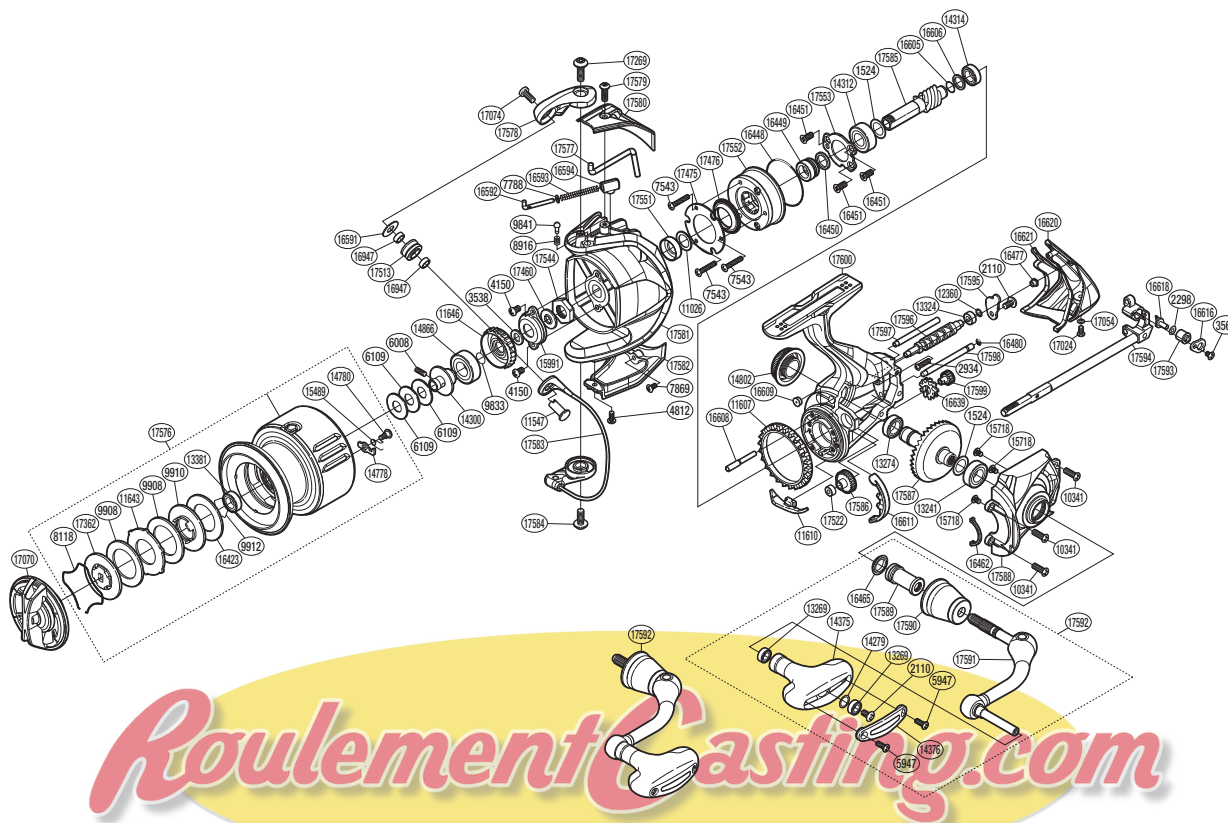


# SHIMANO

TWIN POWER SA-RB

TP-4000HG



Please note that the number of adjusting washers may not be the same as shown in the exploded views.  
(Adjustment will vary with each individual product.)

(5SE53H042)

Part No.	Description	Part No.	Description	Part No.	Description
RD 1524	Washer	RD14376	Handle Knob I.D. Plate	RD17475	Roller Clutch Reinforce
RD 2110	Screw	RD14778	Drag Click	RD17476	Roller Clutch Water Proof
RD 2298	Spacer	RD14780	Screw	RD17513	Line Roller(With Bearing) ****
RD 2934	Screw	RD14802	Handle Screw Cap	RD17522	Worm Bushing (Front) ***
RD 3538	Spool Support	RD14866	Ball Bearing	RD17544	Rotor Nut
RD 3561	Screw	RD15489	Drag Click Spring	RD17551	Rotor Ring
RD 4150	Screw	RD15718	Screw	RD17552	Roller Clutch Assembly
RD 4812	Screw	RD15991	Rotor Nut Lock Plate	RD17553	Bearing Retainer
RD 5947	Screw	RD16423	Drag Washer	RD17576	Spool Assembly
RD 6008	Set Screw	RD16448	O Ring	RD17577	Bail Trip Lever
RD 6109	Spool Washer	RD16449	Roller Clutch Inner	RD17578	Bail Arm
RD 7543	Screw	RD16450	Roller Clutch Inner Spacer	RD17579	Screw
RD 7788	Spring Guide A Support	RD16451	Screw	RD17580	Bail Spring Cover
RD 7869	Screw	RD16462	Flange Water Proof	RD17581	Rotor
RD 8118	Drag Washers Retainer	RD16465	Handle Shaft Seal	RD17582	Bail Hold Support Guard
RD 8916	Click Spring	RD16477	Rear Protector Collar	RD17583	Bail Assembly
RD 9833	Ratchet Spring	RD16480	O Ring	RD17584	Screw
RD 9841	Click Pin	RD16591	Line Roller Plate	RD17585	Pinion Gear *
RD 9908	Drag Washer	RD16592	Bail Spring Guide A	RD17586	Idle Gear *
RD 9910	Key Washer	RD16593	Bail Spring	RD17587	Drive Gear *
RD 9912	Bearing Retainer	RD16594	Bail Spring Seat	RD17588	Side Cover
RD10341	Screw	RD16605	O Ring **	RD17589	Handle Shaft Cover B
RD11026	Washer	RD16606	Pinion Gear Spacer **	RD17590	Handle Shaft Cover
RD11547	Line Roller Support	RD16608	Idle Gear B Shaft	RD17591	Handle Shank Assembly
RD11607	Friction Ring	RD16609	Body Flange Seal	RD17592	Handle Assembly
RD11610	Bail Trip Strike	RD16611	Friction Ring Spacer	RD17593	Oscillating Slider Bushing ***
RD11643	Eared Washer	RD16616	Oscillating Pawl Cover	RD17594	Main Shaft Assembly
RD11646	Drag Click Ratchet	RD16618	Oscillating Pawl ***	RD17595	Worm Shaft Retainer
RD12360	Washer	RD16620	Rear Protector	RD17596	Worm Shaft ***
RD13241	Ball Bearing **	RD16621	Rear Shield	RD17597	Oscillating Guide A
RD13269	Ball Bearing	RD16639	Idle Gear B L *	RD17598	Oscillating Guide B
RD13274	Ball Bearing **	RD16947	Bearing Spacer	RD17599	Idle Gear B S *
RD13324	Worm Bushing ***	RD17024	Screw	RD17600	Body
RD13381	Ball Bearing	RD17054	Washer		
RD14279	Washer	RD17070	Drag Knob		
RD14300	Bearing Bushing	RD17074	Screw ****	PK 0350	Gear Set *
RD14312	Ball Bearing **	RD17269	Screw	PK 0351	Bearing Set **
RD14314	Ball Bearing **	RD17362	Key Washer	PK 0352	Oscillation Set ***
RD14375	Handle Knob	RD17460	Bearing Water Proof	PK 0346	Line Roller Set ****