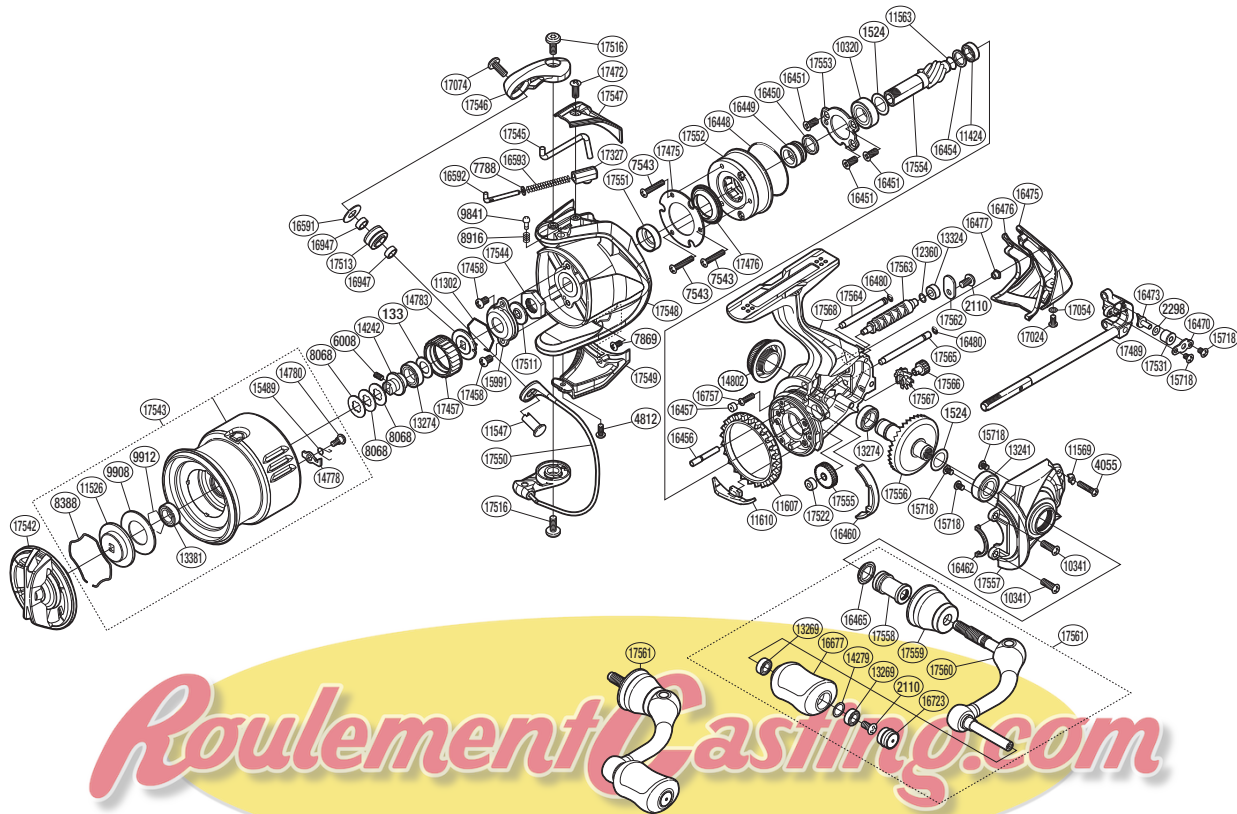


# SHIMANO

TWIN POWER SA-RB

TP-2500S



Please note that the number of adjusting washers may not be the same as shown in the exploded views.  
(Adjustment will vary with each individual product.)

(5SE53E025)

Part No.	Description	Part No.	Description	Part No.	Description
RD 0133	Anti-Reverse Pawl Spacer	RD14802	Handle Screw Cap	RD17511	Bearing Water Proof
RD 1524	Washer */**	RD15489	Drag Click Spring	RD17513	Line Roller(With Bearing) ****
RD 2110	Screw	RD15718	Screw **	RD17516	Screw
RD 2298	Spacer ***	RD15991	Rotor Nut Lock Plate	RD17522	Worm Bushing (Front) ***
RD 4055	Screw	RD16448	O Ring	RD17531	Oscillating Slider Bushing ***
RD 4812	Screw	RD16449	Roller Clutch Inner	RD17542	Drag Knob
RD 6008	Set Screw	RD16450	Roller Clutch Inner Spacer	RD17543	Spool Assembly
RD 7543	Screw	RD16451	Screw	RD17544	Rotor Nut
RD 7788	Spring Guide A Support	RD16454	Pinion Gear Spacer **	RD17545	Bail Trip Lever
RD 7869	Screw	RD16456	Idle Gear B Shaft	RD17546	Bail Arm
RD 8068	Spool Washer	RD16457	Body Flange Seal	RD17547	Bail Spring Cover
RD 8388	Drag Washers Retainer	RD16460	Friction Ring Spacer	RD17548	Rotor
RD 8916	Click Spring	RD16462	Flange Water Proof	RD17549	Bail Hold Support Guard
RD 9841	Click Pin	RD16465	Handle Shaft Seal	RD17550	Bail Assembly
RD 9908	Drag Washer	RD16470	Oscillating Pawl Cover	RD17551	Rotor Ring
RD 9912	Bearing Retainer	RD16473	Oscillating Pawl ***	RD17552	Roller Clutch Assembly
RD10320	Ball Bearing **	RD16475	Rear Protector	RD17553	Bearing Retainer
RD10341	Screw	RD16476	Rear Shield	RD17554	Pinion Gear *
RD11302	Ratchet Spring	RD16477	Rear Protector Collar	RD17555	Idle Gear *
RD11424	Ball Bearing **	RD16480	O Ring	RD17556	Drive Gear *
RD11526	Key Washer	RD16591	Line Roller Plate ****	RD17557	Side Cover
RD11547	Line Roller Support ****	RD16592	Bail Spring Guide A	RD17558	Handle Shaft Cover B
RD11563	Worm Shaft Ring **	RD16593	Bail Spring	RD17559	Handle Shaft Cover
RD11569	Screw Washer	RD16677	Handle Knob	RD17560	Handle Shank Assembly
RD11607	Friction Ring	RD16723	Handle Knob Seal	RD17561	Handle Assembly
RD11610	Bail Trip Strike	RD16757	Screw	RD17562	Worm Shaft Retainer
RD12360	Washer ***	RD16947	Bearing Spacer ****	RD17563	Worm Shaft ***
RD13241	Ball Bearing **	RD17024	Screw	RD17564	Oscillating Guide A
RD13269	Ball Bearing **	RD17054	Washer	RD17565	Oscillating Guide B
RD13274	Ball Bearing **	RD17074	Screw ****	RD17566	Idle Gear B S *
RD13324	Worm Bushing ***	RD17327	Bail Spring Seat	RD17567	Idle Gear B L *
RD13381	Ball Bearing	RD17457	Drag Click Ratchet	RD17568	Body
RD14242	Bearing Bushing	RD17458	Screw		
RD14279	Washer	RD17472	Screw	PK 0347	Gear Set *
RD14778	Drag Click	RD17475	Roller Clutch Reinforce	PK 0339	Bearing Set **
RD14780	Screw	RD17476	Roller Clutch Water Proof	PK 0348	Oscillation Set ***
RD14783	Spool Support	RD17489	Main Shaft Assembly	PK 0346	Line Roller Set ****