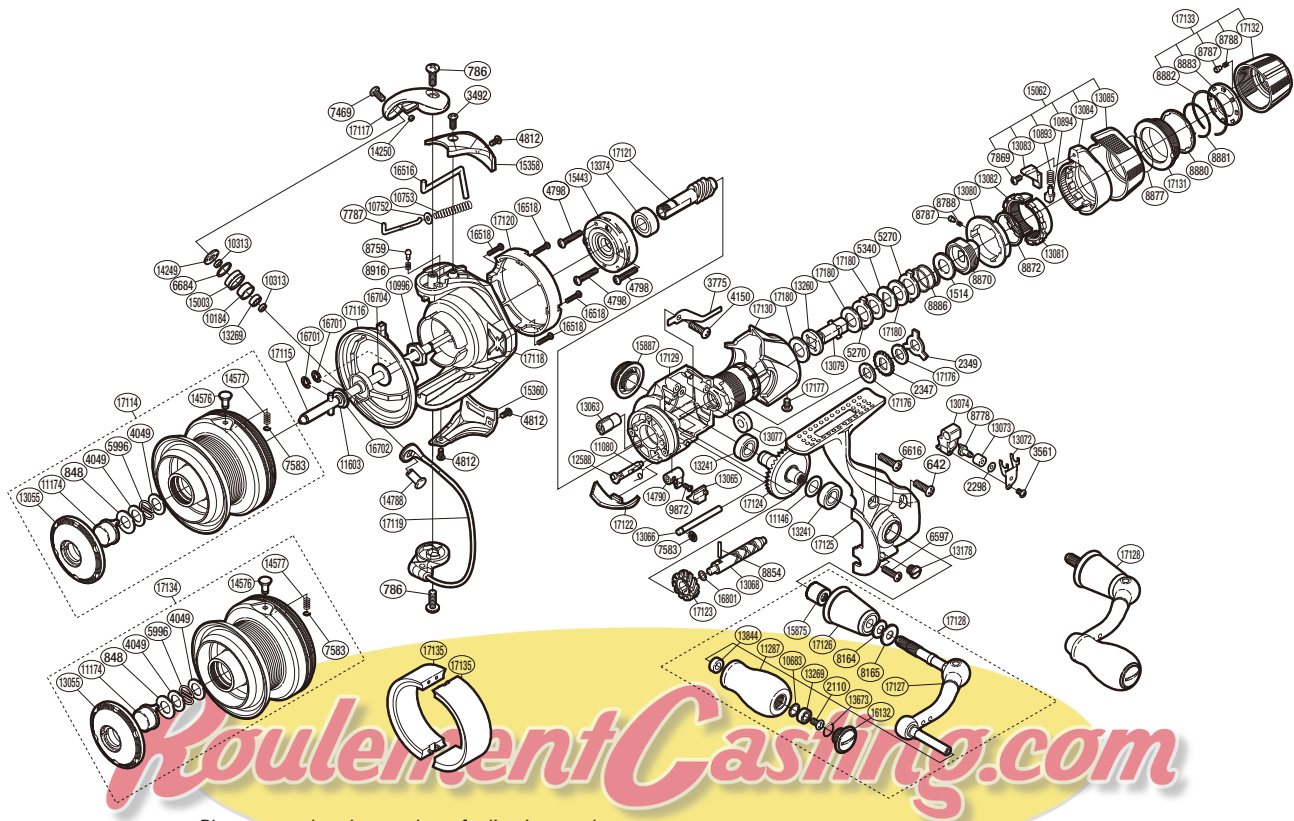


SHIMANO

STRADIC **C14+** S A-RB

STCI4-4000RA



Please note that the number of adjusting washers may not be the same as shown in the exploded views. (Adjustment will vary with each individual product.)

(51SH414000G)

Part No.	Description	Part No.	Description	Part No.	Description		
RD 0642	Screw	RD10683	Washer	RD15360	Bail Hold Support Guard		
RD 0786	Screw	RD10752	Bail Spring Guide A Support	RD15443	Roller Clutch Assembly		
RD 0848	Washer	RD10753	Bail Spring	RD15875	Handle Shaft Cover B		
RD 1514	Washer	RD10893	Position Pin Spring	RD15887	Handle Screw Cap		
RD 2110	Screw	RD10894	Lever Position Pin	RD16132	Handle Knob Seal		
RD 2298	Spacer	***	RD10996	Rotor Nut	RD16516	Bail Trip Lever	
RD 2347	Click Gear	RD11080	Anti-Reverse Cam Spring	RD16518	Screw		
RD 2349	Eared Washer	RD11146	Washer	RD16701	E Lock		
RD 3492	Screw	RD11174	Push Button	RD16702	Line Safety Guard Spacer		
RD 3561	Screw	RD11287	Handle Knob	RD16704	Line Safety Guard Washer		
RD 3775	Drag Click	RD11603	Washer	RD16801	Washer		
RD 4049	Washer	RD12588	Anti-Reverse Cam	RD17114	Spool Assembly		
RD 4150	Screw	RD13055	Push Button Collar	RD17115	Main Shaft		
RD 4798	Screw	RD13063	Worm Bushing	RD17116	Line Safety Guard		
RD 4812	Screw	RD13065	Anti-Reverse Lever Cover	RD17117	Bail Arm		
RD 5270	Eared Washer	RD13066	Oscillating Guide	RD17118	Rotor		
RD 5340	Key Washer	RD13068	Worm Shaft	***	RD17119	Bail Assembly	
RD 5996	Locking Spring	RD13072	Oscillating Slider Retainer	RD17120	Rotor Cover		
RD 6597	Screw	RD13073	Oscillating Slider Bushing	***	RD17121	Pinion Gear	
RD 6616	Screw	RD13074	Oscillating Slider	RD17122	Bail Trip Strike		
RD 6684	Line Roller Spacer	*	RD13077	Drag Shaft C	RD17123	Idle Gear	
RD 7469	Screw	*	RD13079	Drag Shaft A	RD17124	Drive Gear	
RD 7583	E Lock	RD13080	Lever Click Gear	RD17125	Side Cover		
RD 7787	Bail Spring Guide A	RD13081	Fightin Pressure Screw	RD17126	Handle Shaft Cover		
RD 7869	Screw	RD13082	Fightin Pressure Screw B	RD17127	Handle Shank Assembly		
RD 8164	Coned Disc Spring	RD13083	Fightin Lever Inner B	RD17128	Handle Assembly		
RD 8165	Large Handle Shank Washer	RD13084	Fightin Lever Inner A	RD17129	Body		
RD 8759	Click Pin	RD13085	Fightin Lever Outer	RD17130	Rear Protector		
RD 8778	Oscillating Pawl	***	RD13178	Oil Cap	RD17131	Drag Programmer B	
RD 8787	Click Pin	RD13241	Ball Bearing	****	RD17132	Drag Programmer A	
RD 8788	Click Spring	RD13260	Drag Shaft B	RD17133	Drag Programmer Assembly		
RD 8854	Worm Shaft Pin	RD13269	Ball Bearing	*	RD17176	Drag Washer	
RD 8870	Pressure Screw	RD13374	Ball Bearing	****	RD17177	Screw	
RD 8872	Fightin Pressure Screw Washer	RD13673	O Ring	RD17180	Drag Washer		
RD 8877	Drag Knob Friction Ring	RD13844	Handle Knob Bushing				
RD 8880	Drag Knob Washer	RD14249	Line Roller Plate	*	RD17134	Spare Spool Assembly	
RD 8881	Drag Knob Retainer	RD14250	Line Roller Oil Cap				
RD 8882	Click Plate Retainer	RD14576	Line Clip	RD17135	Spool Economizer (accessory)		
RD 8883	Click Plate	RD14577	Line Clip Spring				
RD 8886	Drag Coil Spring	RD14788	Line Roller Support	*			
RD 8916	Click Spring	RD14790	Anti-Reverse Lever				
RD 9872	Screw	RD15003	Line Roller	*	PK 0142	Line Roller Set	
RD10184	Line Roller Bushing	*	RD15062	Fightin Lever Assembly		PK 0318	Gear Set
RD10313	Bearing Spacer	*	RD15358	Bail Spring Cover		PK 0319	Oscillation Set
						PK 0026	Bearing Set