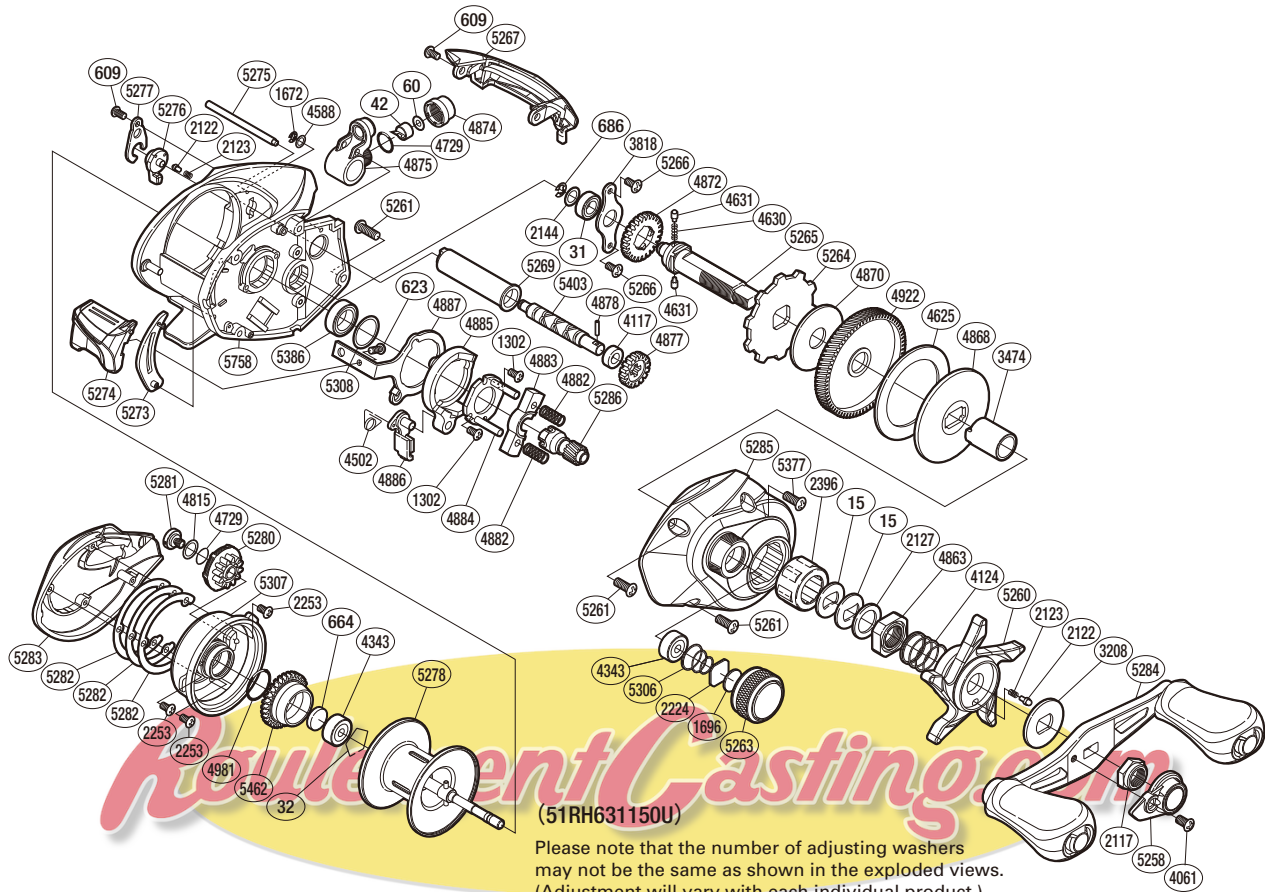


SHIMANO

CASITAS

CASITAS-150HG



Part No.	Description	Part No.	Description	Part No.	Description
BNT0015	Drag Spring Washer	BNT4588	Washer	BNT5266	Screw
BNT0031	Ball Bearing	BNT4625	Drag Washer	BNT5267	Level Wind Protector
BNT0032	Bearing Retainer	BNT4630	Idle Gear Spring	BNT5269	Level Wind Guard
BNT0042	Line Guide Pawl	BNT4631	Idle Gear Pin	BNT5273	Clutch Bar Guide
BNT0060	Spacer	BNT4729	O Ring	BNT5274	Clutch Lever
BNT0609	Screw	BNT4815	Washer	BNT5275	Stabilizer Bar
BNT0623	Screw	BNT4863	Star Drag Nut	BNT5276	Side Plate Cam Lever
BNT0664	Spacer B	BNT4868	Key Washer	BNT5277	Cam Lever Retainer
BNT0686	E Lock	BNT4870	Drag Washer	BNT5278	Spool Assembly
BNT1302	Clutch Cam Screw	BNT4872	Idle Gear	BNT5280	Brake Dial
BNT1672	E Lock	BNT4874	Pawl Cap	BNT5281	Screw
BNT1696	Cast Control Spacer	BNT4875	Line Guide	BNT5282	Washer
BNT2117	Handle Nut	BNT4877	Idle Gear	BNT5283	Left Side Plate
BNT2122	Click Pin	BNT4878	Worm Shaft Pin	BNT5284	Handle Assembly
BNT2123	Click Spring	BNT4882	Yoke Spring	BNT5285	Right Side Plate
BNT2127	Star Drag Spacer	BNT4883	Yoke	BNT5286	Pinion Gear
BNT2144	Washer	BNT4884	Clutch Cam Retainer	BNT5306	Spool Tension Spring
BNT2224	Spool Tension Spacer	BNT4885	Clutch Cam	BNT5307	Brake Case
BNT2253	Screw	BNT4886	Clutch Pawl	BNT5308	Washer
BNT2396	Roller Clutch Bearing	BNT4887	Clutch Plate	BNT5377	Screw
BNT3208	Star Drag Click Plate	BNT4922	Drive Gear	BNT5386	Ball Bearing
BNT3474	Roller Clutch Inner Tube	BNT4981	O Ring	BNT5403	Worm Shaft
BNT3818	Drive Shaft Retainer	BNT5258	Handle Nut Plate	BNT5462	Brake Ring Gear
BNT4061	Screw	BNT5260	Star Drag	BNT5758	Frame Assembly
BNT4117	Bushing	BNT5261	Screw		
BNT4124	Star Drag Spring	BNT5263	Cast Control Cap		
BNT4343	Ball Bearing	BNT5264	Anti-Reverse Ratchet		
BNT4502	Clutch Pawl Spring	BNT5265	Drive Shaft	BNT4692	B-100 Oil (accessory)