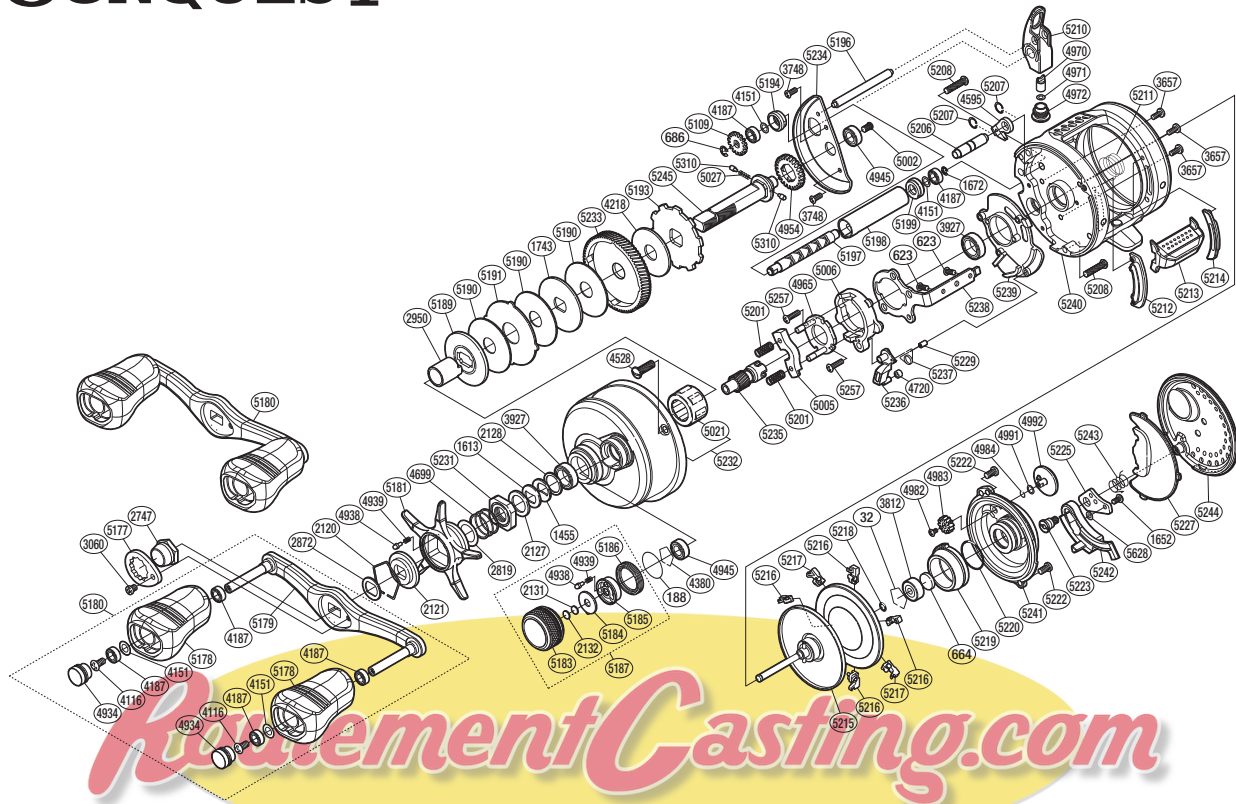


SHIMANO

CALCUTTA CONQUEST

S A-RB

CTCQ-301US



Please note that the number of adjusting washers may not be the same as shown in the exploded views.

(51RH820301U)

(Adjustment will vary with each individual product.)

Part No.	Description	Part No.	Description	Part No.	Description
BNT0032	Bearing Retainer	BNT4954	Idle Gear	BNT5208	Screw
BNT0188	O Ring	BNT4965	Clutch Cam Retainer	BNT5210	Line Guide
BNT0623	Screw	BNT4970	Line Guide Pawl	BNT5211	Bearing Pressure Spring
BNT0664	Spacer B	BNT4971	Washer	BNT5212	Clutch Bar Guide (B)
BNT0686	E Lock	BNT4972	Pawl Cap	BNT5213	Quick-Fire li Clutch Bar
BNT1455	Drag Spring Washer (H)	BNT4982	Screw	BNT5214	Clutch Bar Guide (A)
BNT1613	Drag Spring Washer (L)	BNT4983	Br Dial Gear	BNT5215	Spool Assembly
BNT1652	Screw	BNT4984	O Ring	BNT5216	Brake Shoe M
BNT1672	E Lock	BNT4991	Washer	BNT5217	Brake Shoe L
BNT1743	Key Washer	BNT4992	Br Dial	BNT5218	O Ring
BNT2120	Click Plate Retainer	BNT5002	Screw	BNT5219	Brake Pipe Gear
BNT2121	Star Drag Click Plate	BNT5005	Yoke	BNT5220	O Ring
BNT2127	Star Drag Spacer	BNT5006	Clutch Cam	BNT5222	Screw
BNT2128	Bearing Washer	BNT5021	Roller Clutch Bearing	BNT5223	B Side Plate Insert
BNT2131	Spool Tension Spacer (B)	BNT5027	Idle Gear Spring	BNT5225	Damper Bush
BNT2132	Spool Tension Spacer (A)	BNT5109	Idle Gear	BNT5227	B Side Plate Seal
BNT2747	Handle Nut	BNT5177	Handle Nut Plate	BNT5229	Clutch Pawl Spring Collar
BNT2819	Washer	BNT5178	Handle Knob	BNT5231	Star Drag Nut
BNT2872	Friction Washer	BNT5179	Handle Shank Assembly	BNT5232	Left Side Plate
BNT2950	Roller Clutch Inner Tube	BNT5180	Handle Assembly	BNT5233	Drive Gear
BNT3060	Screw	BNT5181	Star Drag	BNT5234	Drive Shaft Retainer
BNT3657	Screw	BNT5183	Cast Control Cap	BNT5235	Pinion Gear
BNT3748	Screw	BNT5184	Cast Control Click Plate	BNT5236	Clutch Pawl
BNT3812	Ball Bearing	BNT5185	Click Pin Holder	BNT5237	Clutch Pawl Spring
BNT3927	Ball Bearing	BNT5186	Cast Control Click Holder	BNT5238	Clutch Plate
BNT4116	Screw	BNT5187	Cast Control Cap Assembly	BNT5239	Clutch Guard
BNT4151	Washer	BNT5189	Pressure Plate	BNT5240	One-Piece Frame
BNT4187	Ball Bearing	BNT5190	Drag Washer	BNT5241	Brake Case
BNT4218	Drag Washer	BNT5191	Eared Washer	BNT5242	Side Plate Cam Lever
BNT4380	Retainer	BNT5193	Anti-Reverse Ratchet	BNT5243	Damper Spring
BNT4528	Screw	BNT5194	Worm Bushing A	BNT5244	Right Side Plate
BNT4595	Anti-Reverse Pawl	BNT5196	Level Wind Guide	BNT5245	Drive Shaft
BNT4699	Star Drag Spring	BNT5197	Worm Shaft	BNT5257	Screw
BNT4720	Clutch Pawl Bushing	BNT5198	Level Wind Guard	BNT5310	Idle Gear Pin
BNT4934	Handle Knob Seal	BNT5199	Worm Bushing B	BNT5628	Washer
BNT4938	Click Pin	BNT5201	Yoke Spring		
BNT4939	Click Spring	BNT5206	Anti-Reverse Pawl Pin		
BNT4945	Ball Bearing	BNT5207	C Lock	BNT4692	B-100 Oil (accessory)