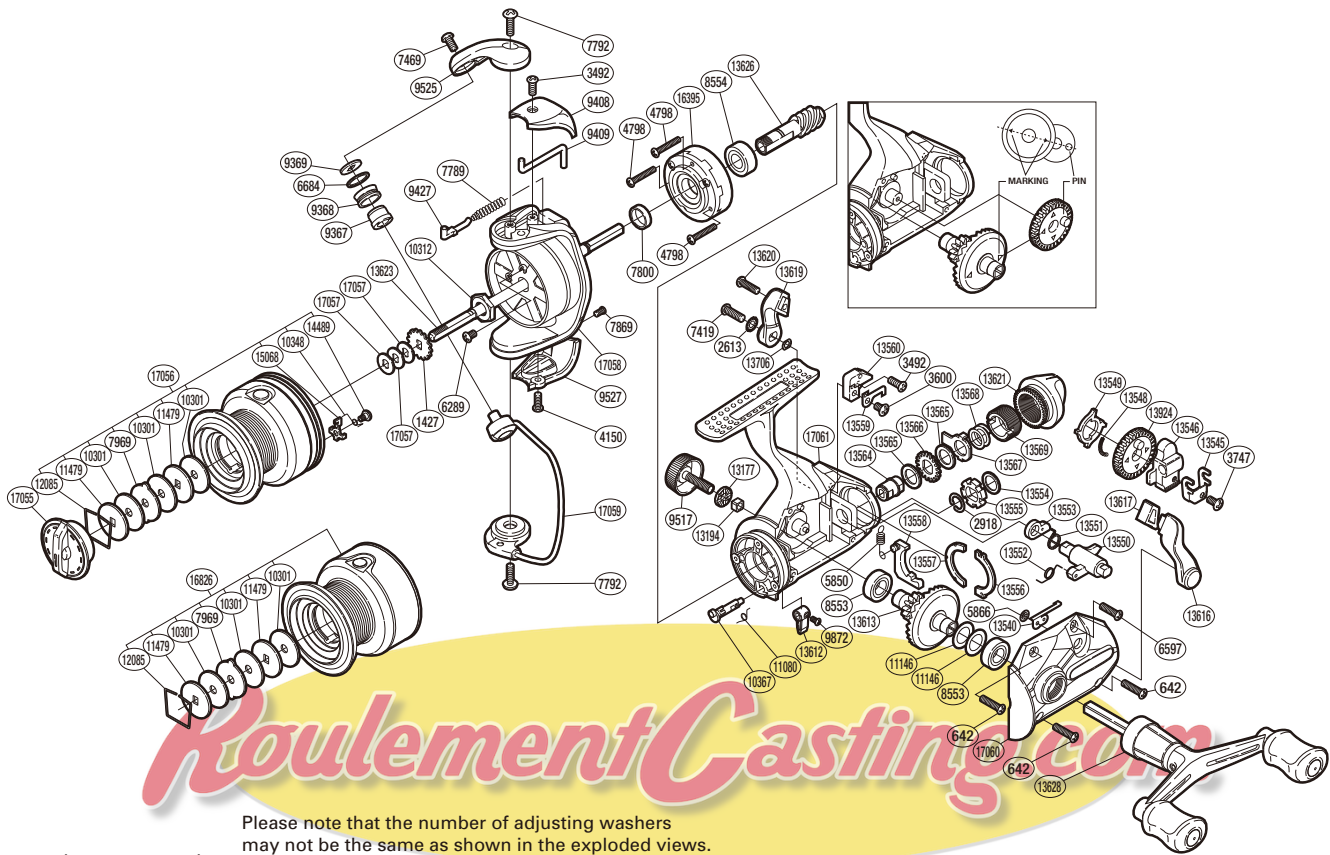


SHIMANO

BAITRUNNER DL  **A-RB**

BTRDL-2500FB



Please note that the number of adjusting washers may not be the same as shown in the exploded views. (Adjustment will vary with each individual product.)

(15SH062501G)

Part No.	Description	Part No.	Description	Part No.	Description
RD 0642	Screw	RD 9527	Bail Hold Support Guard	RD13567	Eared Washer
RD 1427	Spool Support	RD 9872	Screw	RD13568	Free Spool Tension Spring
RD 2613	Lock Washer	RD10301	Drag Washer	RD13569	Free Spool Tension Screw
RD 2918	C Lock	RD10312	Rotor Nut	RD13612	Anti-Reverse Lever
RD 3492	Screw	RD10348	Click Spring	RD13613	Drive Gear *
RD 3600	Screw	RD10367	Anti-Reverse Cam	RD13616	Baitrunner Lever Arm L
RD 3747	Screw	RD11080	Anti-Reverse Cam Spring	RD13617	Baitrunner Lever Bridge
RD 4150	Screw	RD11146	Washer **/**	RD13619	Baitrunner Lever Arm R
RD 4798	Screw	RD11479	Key Washer	RD13620	Screw
RD 5850	Baitrunner Pawl Spring	RD12085	Drag Washers Retainer	RD13621	Baitrunner Tension Dial
RD 5866	Push Nut (Spn-2)	RD13177	Handle Screw Cap Spacer	RD13623	Main Shaft
RD 6289	Screw	RD13194	Handle Screw Lock	RD13626	Pinion Gear *
RD 6597	Screw	RD13540	Baitrunner Click	RD13628	Double Paddle Handle Assembly
RD 6684	Line Roller Spacer ***	RD13545	Oscillating Slider Retainer	RD13706	Washer
RD 7419	Screw	RD13546	Oscillating Slider	RD13924	Oscillating Gear *
RD 7469	Screw ***	RD13548	Oscillating Gear Ratchet Spring	RD14489	Screw
RD 7789	Bail Spring	RD13549	Oscillating Gear Ratchet	RD15068	Drag Click
RD 7792	Screw	RD13550	Clutch Arm	RD16395	Roller Clutch Assembly
RD 7800	Rotor Ring	RD13551	Clutch Cam Spring	RD17055	Drag Knob
RD 7869	Screw	RD13552	Clutch Spring	RD17056	Spool Assembly
RD 7969	Eared Washer	RD13553	Clutch Cam	RD17057	Spool Washer
RD 8553	Ball Bearing **	RD13554	Spacer	RD17058	Rotor
RD 8554	Ball Bearing **	RD13555	Baitrunner Ratchet	RD17059	Bail Assembly
RD 9367	Line Roller Bushing ***	RD13556	Dial Retainer	RD17060	Side Cover
RD 9368	Line Roller ***	RD13557	Dial Retainer B	RD17061	Body
RD 9369	Line Roller Washer ***	RD13558	Baitrunner Pawl		
RD 9408	Bail Spring Cover	RD13559	Dial Click	RD16826	Spare Spool Assembly
RD 9409	Bail Trip Lever	RD13560	Dial Click Holder		
RD 9427	Bail Spring Guide	RD13564	Free Spool Tension Shaft	PK 0279	Gear Set *
RD 9517	Handle Screw Cap	RD13565	Free Spool Tension Washer	PK 0306	Bearing Set **
RD 9525	Bail Arm	RD13566	Click Gear	PK 0281	Line Roller Set ***

(150805)