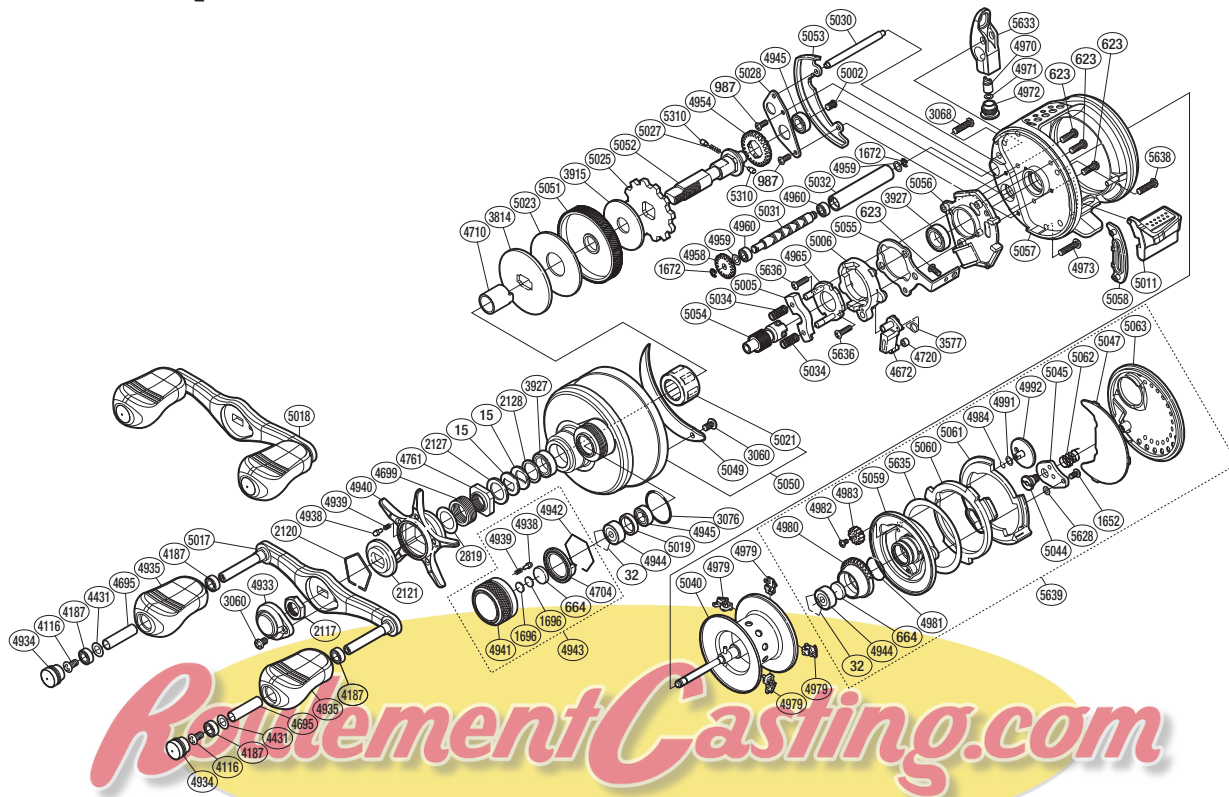


SHIMANO

CALCUTTA CONQUEST

S A-RB

CTCQ-201



(51RH820201U) Please note that the number of adjusting washers may not be the same as shown in the exploded views.
(Adjustment will vary with each individual product.)

Part No.	Description	Part No.	Description	Part No.	Description
BNT0015	Drag Spring Washer	BNT4939	Click Spring	BNT5028	Drive Shaft Retainer
BNT0032	Bearing Retainer	BNT4940	Star Drag	BNT5030	Stabilizer Bar
BNT0623	Screw	BNT4941	Cast Control Cap	BNT5031	Worm Shaft
BNT0664	Spacer B	BNT4942	Cast Control Click Holder	BNT5032	Level Wind Guard
BNT0987	Screw	BNT4943	Cast Control Cap Assembly	BNT5034	Yoke Spring
BNT1652	Screw	BNT4944	Ball Bearing	BNT5040	Spool Assembly
BNT1672	E Lock	BNT4945	Ball Bearing	BNT5044	B Side Plate Insert
BNT1696	Cast Control Spacer	BNT4954	Idle Gear	BNT5045	Damper Bush(A)
BNT2120	Click Plate Retainer	BNT4958	Idle Gear	BNT5047	B Side Plate Seal
BNT2121	Star Drag Click	BNT4959	Washer	BNT5049	Set Plate Sticker
BNT2127	Star Drag Spacer	BNT4960	Ball Bearing	BNT5050	Left Side Plate
BNT2128	Bearing Washer	BNT4965	Clutch Cam Retainer	BNT5051	Drive Gear
BNT2200	Handle Nut	BNT4970	Line Guide Pawl	BNT5052	Drive Shaft
BNT2819	Washer	BNT4971	Washer	BNT5053	Frame Shield
BNT3060	Screw	BNT4972	Pawl Cap	BNT5054	Pinion Gear
BNT3068	Screw	BNT4973	Screw	BNT5055	Clutch Plate
BNT3076	O Ring	BNT4979	Brake Shoe M	BNT5056	Clutch Guard
BNT3577	Clutch Pawl Spring	BNT4980	Brake Pipe Gear	BNT5057	One-Piece Frame
BNT3814	Key Washer	BNT4981	O Ring	BNT5058	Clutch Bar Guide
BNT3915	Drag Washer	BNT4982	Screw	BNT5059	Brake Case
BNT3927	Ball Bearing	BNT4983	Br Dial Gear	BNT5060	Brake Case Cam
BNT4116	Screw	BNT4984	O Ring	BNT5061	Side Plate Cam Lever
BNT4187	Ball Bearing	BNT4991	Washer	BNT5062	Damper Spring
BNT4431	Washer	BNT4992	Br Dial	BNT5063	Right Side Plate
BNT4672	Clutch Pawl	BNT5002	Screw	BNT5310	Idle Gear Pin
BNT4695	Handle Knob Pipe	BNT5005	Yoke	BNT5628	Washer
BNT4699	Star Drag Spring	BNT5006	Clutch Cam	BNT5633	Line Guide
BNT4704	Cast Control Click Plate	BNT5011	Clutch Lever	BNT5635	Washer
BNT4710	Roller Clutch Inner Tube	BNT5017	Handle Shank Assembly	BNT5636	Screw
BNT4720	Clutch Pawl Bushing	BNT5018	Handle Assembly	BNT5638	Screw
BNT4761	Star Drag Nut	BNT5019	Bearing Spacer	BNT5639	Right Side Plate Assembly
BNT4933	Handle Nut Plate	BNT5021	Roller Clutch Bearing		
BNT4934	Handle Knob Seal	BNT5023	Drag Washer		
BNT4935	Handle Knob	BNT5025	Anti-Reverse Ratchet		
BNT4938	Click Pin	BNT5027	Idle Gear Spring	BNT4692	B-100 Oil (accessory)