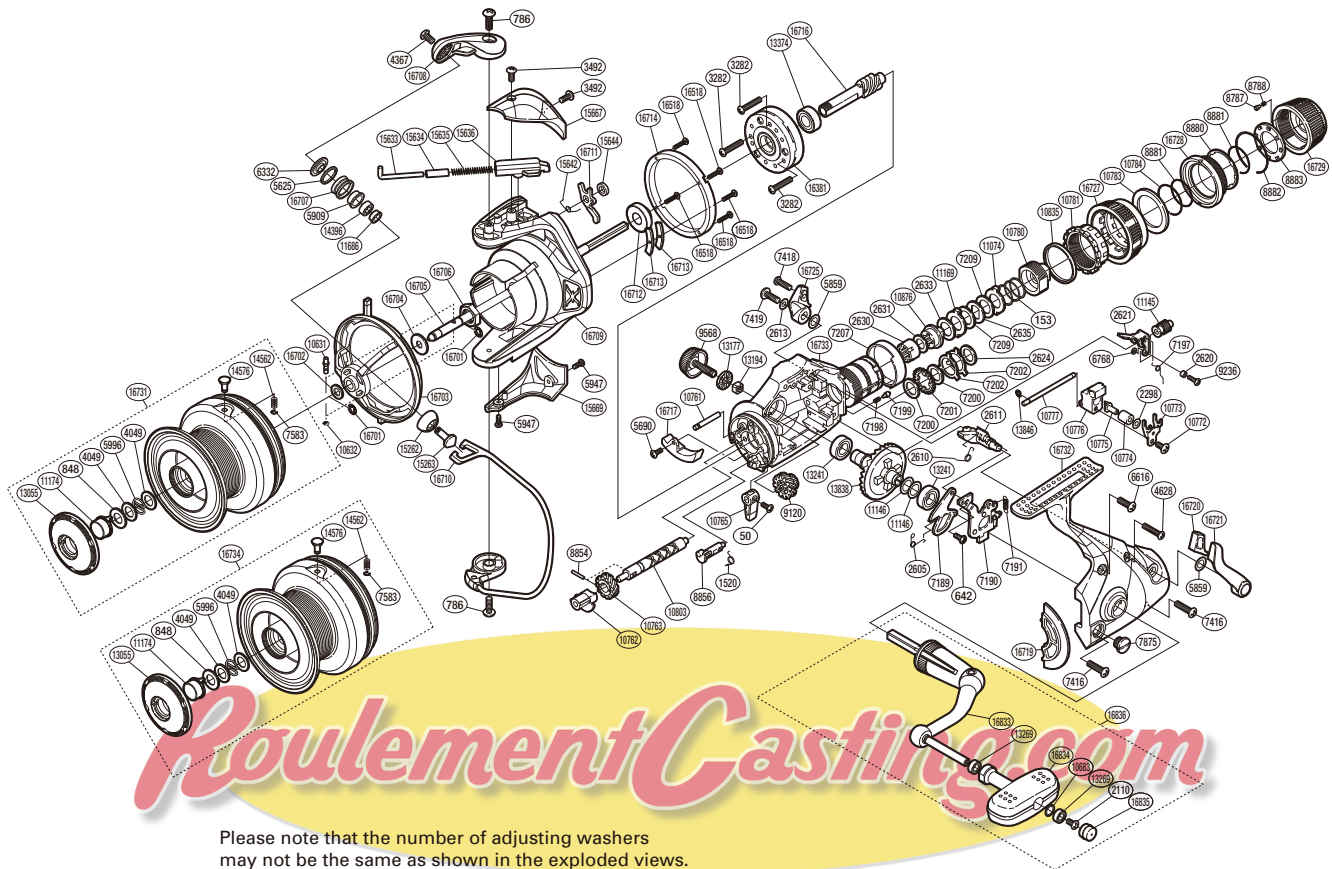


# SHIMANO

## BAITRUNNER X-AERO SA-RB 14BTRX8RA



Please note that the number of adjusting washers may not be the same as shown in the exploded views. (Adjustment will vary with each individual product.)

(51SH38800G)

| Part No. | Description              | Part No. | Description                      | Part No. | Description                 |
|----------|--------------------------|----------|----------------------------------|----------|-----------------------------|
| RD 0050  | Screw                    | RD 7583  | E Lock                           | RD14396  | Ball Bearing                |
| RD 0153  | Drag Coil Spring         | RD 7875  | Oil Cap                          | RD14562  | Line Clip Spring            |
| RD 0642  | Screw                    | RD 8787  | Click Pin                        | RD14576  | Line Clip                   |
| RD 0786  | Screw                    | RD 8788  | Click Spring                     | RD15262  | Line Roller Support Cover   |
| RD 0848  | Washer                   | RD 8854  | Worm Shaft Pin                   | RD15263  | Line Roller Support         |
| RD 1520  | Anti-Reverse Cam Spring  | RD 8856  | Anti-Reverse Cam                 | RD15633  | Bail Spring Guide A         |
| RD 2110  | Screw                    | RD 8880  | Drag Knob Washer                 | RD15634  | Bail Spring Guide A Support |
| RD 2298  | Spacer                   | RD 8881  | Drag Knob Retainer               | RD15635  | Bail Spring                 |
| RD 2605  | Clutch Pawl Spring       | RD 8882  | Click Plate Retainer             | RD15636  | Bail Spring Guide B         |
| RD 2610  | Clutch Spring            | RD 8883  | Click Plate                      | RD15642  | Lever Spring                |
| RD 2611  | Baitrunner Lever Shaft   | RD 9120  | Idle Gear B                      | RD15644  | Washer                      |
| RD 2613  | Lock Washer              | RD 9236  | Screw                            | RD15667  | Bail Spring Cover           |
| RD 2620  | Clutch Screw Collar      | RD 9568  | Handle Screw Cap                 | RD15669  | Bail Hold Support Guard     |
| RD 2621  | Baitrunner Clutch        | RD10631  | Main Shaft Pin                   | RD16381  | Roller Clutch Assembly      |
| RD 2624  | Drag Washer              | RD10632  | O Ring                           | RD16518  | Screw                       |
| RD 2630  | Free Spool Tension Shaft | RD10683  | Washer                           | RD16701  | E Lock                      |
| RD 2631  | Drag Washer              | RD10761  | Idle Gear B Shaft                | RD16702  | Line Safety Guard Spacer    |
| RD 2633  | Drag Washer              | RD10762  | Worm Bushing                     | RD16703  | Line Safety Guard           |
| RD 2635  | Key Washer               | RD10763  | Idle Gear                        | RD16704  | Line Safety Guard Washer    |
| RD 3282  | Screw                    | RD10765  | Anti-Reverse Lever               | RD16705  | Main Shaft                  |
| RD 3492  | Screw                    | RD10772  | Screw                            | RD16706  | Rotor Nut                   |
| RD 4049  | Washer                   | RD10773  | Oscillating Slider Retainer      | RD16707  | Line Roller                 |
| RD 4367  | Screw                    | RD10774  | Oscillating Slider Bushing       | RD16708  | Bail Arm                    |
| RD 4628  | Screw                    | RD10775  | Oscillating Pawl                 | RD16709  | Rotor                       |
| RD 5625  | Line Roller Spacer       | RD10776  | Oscillating Slider               | RD16710  | Bail Assembly               |
| RD 5690  | Screw                    | RD10777  | Oscillating Guide                | RD16711  | Bail Trip Lever             |
| RD 5859  | Spacer                   | RD10780  | Pressure Screw                   | RD16712  | Rotor Bushing               |
| RD 5909  | Line Roller Bushing      | RD10781  | Baitrunner Tension Screw         | RD16713  | Counterweight               |
| RD 5947  | Screw                    | RD10783  | Tension Dial Retainer Ring       | RD16714  | Rotor Cover                 |
| RD 5996  | Locking Spring           | RD10784  | Baitrunner Tension Dial Retainer | RD16716  | Pinion Gear                 |
| RD 6332  | Line Roller Washer       | RD10803  | Worm Shaft                       | RD16717  | Bail Trip Strike            |
| RD 6616  | Screw                    | RD10835  | Dial Washer                      | RD16719  | Side Cover Flange           |
| RD 6768  | Spacer                   | RD10876  | Drag Shaft                       | RD16720  | Baitrunner Lever Bridge     |
| RD 7189  | Clutch Pawl              | RD11074  | Eared Washer                     | RD16721  | Baitrunner Lever Arm L      |
| RD 7190  | Clutch Plate Assembly    | RD11145  | Clutch Shaft                     | RD16725  | Baitrunner Lever Arm R      |
| RD 7191  | Baitrunner Click Spring  | RD11146  | Washer                           | RD16727  | Baitrunner Tension Dial     |
| RD 7197  | Clutch Shaft Spring      | RD11169  | Eared Washer                     | RD16728  | Drag Programmer B           |
| RD 7198  | Click Spring             | RD11174  | Push Button                      | RD16729  | Drag Programmer A           |
| RD 7199  | Click Shoe               | RD11686  | Bearing Spacer                   | RD16731  | Spool Assembly              |
| RD 7200  | Drag Washer              | RD13055  | Push Button Collar               | RD16732  | Side Cover                  |
| RD 7201  | Click Gear               | RD13177  | Handle Screw Cap Spacer          | RD16733  | Body                        |
| RD 7202  | Eared Washer             | RD13194  | Handle Screw Lock                | RD16833  | Handle Shank Assembly       |
| RD 7207  | Dial Spacer              | RD13241  | Ball Bearing                     | RD16834  | Handle Knob                 |
| RD 7209  | Drag Washer              | RD13269  | Ball Bearing                     | RD16835  | Handle Knob Seal            |
| RD 7416  | Screw                    | RD13374  | Ball Bearing                     | RD16836  | Handle Assembly             |
| RD 7418  | Screw                    | RD13838  | Drive Gear                       |          |                             |
| RD 7419  | Screw                    | RD13846  | E Lock                           | RD16734  | Spare Spool Assembly        |

(140313)