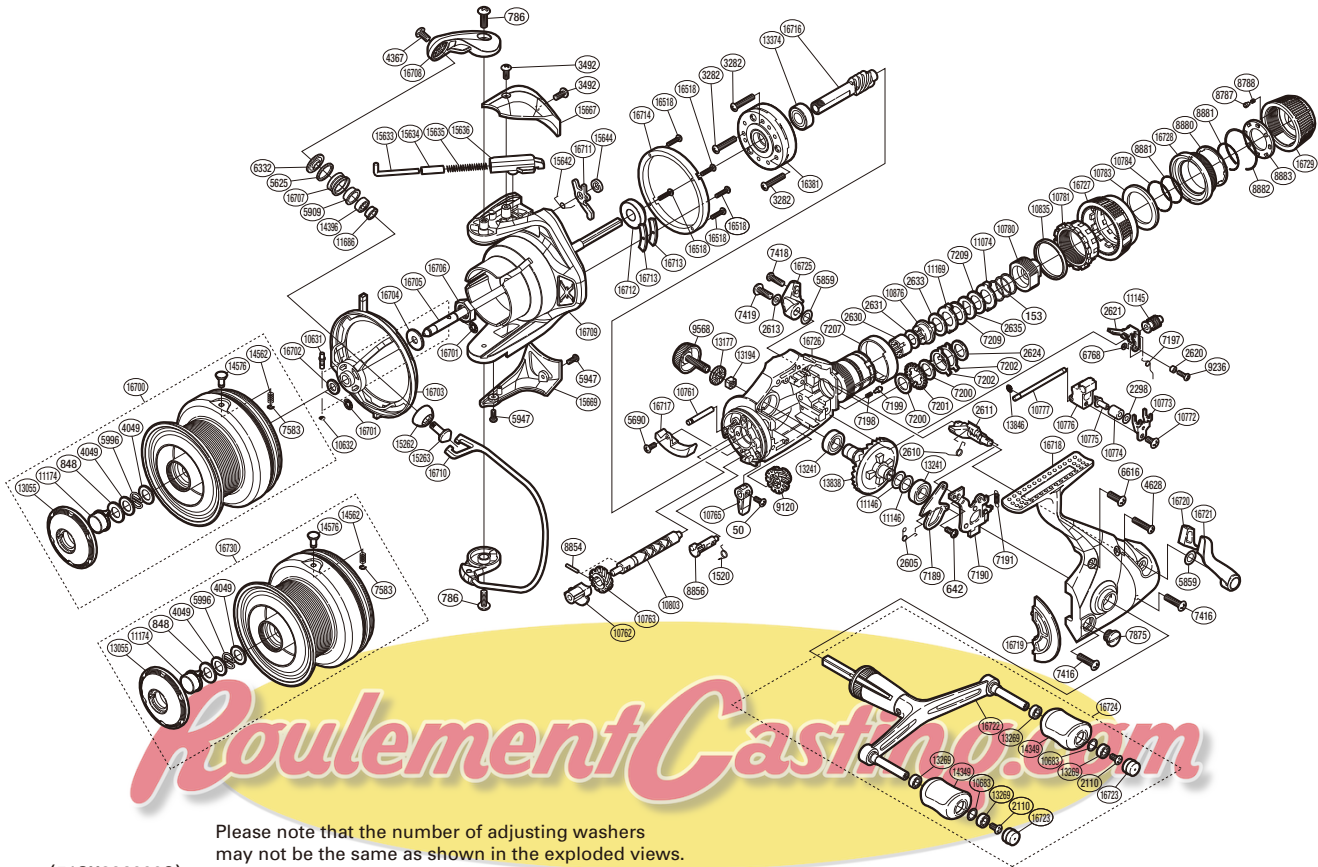


SHIMANO

BAITRUNNER X-AERO S A-RB 14BTRX6RA



Please note that the number of adjusting washers may not be the same as shown in the exploded views. (Adjustment will vary with each individual product.)

(51SH38600G)

Part No.	Description	Part No.	Description	Part No.	Description
RD 0050	Screw	RD 7583	E Lock	RD14349	Handle Knob
RD 0153	Drag Coil Spring	RD 7875	Oil Cap	RD14396	Ball Bearing
RD 0642	Screw	RD 8787	Click Pin	RD14562	Line Clip Spring
RD 0786	Screw	RD 8788	Click Spring	RD14576	Line Clip
RD 0848	Washer	RD 8854	Worm Shaft Pin	RD15262	Line Roller Support Cover
RD 1520	Anti-Reverse Cam Spring	RD 8856	Anti-Reverse Cam	RD15263	Line Roller Support
RD 2110	Screw	RD 8880	Drag Knob Washer	RD15633	Bail Spring Guide A
RD 2298	Spacer	RD 8881	Drag Knob Retainer	RD15634	Bail Spring Guide A Support
RD 2605	Clutch Pawl Spring	RD 8882	Click Plate Retainer	RD15635	Bail Spring
RD 2610	Clutch Spring	RD 8883	Click Plate	RD15636	Bail Spring Guide B
RD 2611	Baitrunner Lever Shaft	RD 9120	Idle Gear B	RD15642	Lever Spring
RD 2613	Lock Washer	RD 9236	Screw	RD15644	Washer
RD 2620	Clutch Screw Collar	RD 9568	Handle Screw Cap	RD15667	Bail Spring Cover
RD 2621	Baitrunner Clutch	RD10631	Main Shaft Pin	RD15669	Bail Hold Support Guard
RD 2624	Drag Washer	RD10632	O Ring	RD16381	Roller Clutch Assembly
RD 2630	Free Spool Tension Shaft	RD10683	Washer	RD16518	Screw
RD 2631	Drag Washer	RD10761	Idle Gear B Shaft	RD16700	Spool Assembly
RD 2633	Drag Washer	RD10762	Worm Bushing	RD16701	E Lock
RD 2635	Key Washer	RD10763	Idle Gear	RD16702	Line Safety Guard Spacer
RD 3282	Screw	RD10765	Anti-Reverse Lever	RD16703	Line Safety Guard
RD 3492	Screw	RD10772	Screw	RD16704	Line Safety Guard Washer
RD 4049	Washer	RD10774	Oscillating Slider Retainer	RD16705	Main Shaft
RD 4367	Screw	RD10775	Oscillating Slider Bushing	RD16706	Rotor Nut
RD 4628	Screw	RD10776	Oscillating Pawl	RD16707	Line Roller
RD 5625	Line Roller Spacer	RD10777	Oscillating Slider	RD16708	Bail Arm
RD 5690	Screw	RD10778	Oscillating Guide	RD16709	Rotor
RD 5859	Spacer	RD10780	Pressure Screw	RD16710	Bail Assembly
RD 5909	Line Roller Bushing	RD10781	Baitrunner Tension Screw	RD16711	Bail Trip Lever
RD 5947	Screw	RD10783	Tension Dial Retainer Ring	RD16712	Rotor Bushing
RD 5996	Locking Spring	RD10784	Baitrunner Tension Dial Retainer	RD16713	Counterweight
RD 6332	Line Roller Washer	RD10803	Worm Shaft	RD16714	Rotor Cover
RD 6616	Screw	RD10835	Dial Washer	RD16716	Pinion Gear
RD 6768	Spacer	RD10876	Drag Shaft	RD16717	Bail Trip Strike
RD 7189	Clutch Pawl	RD11074	Eared Washer	RD16718	Side Cover
RD 7190	Clutch Plate Assembly	RD11145	Clutch Shaft	RD16719	Side Cover Flange
RD 7191	Baitrunner Click Spring	RD11146	Washer	RD16720	Baitrunner Lever Bridge
RD 7197	Clutch Shaft Spring	RD11169	Eared Washer	RD16721	Baitrunner Lever Arm L
RD 7198	Click Spring	RD11174	Push Button	RD16722	Handle Shank Assembly
RD 7199	Click Shoe	RD11686	Bearing Spacer	RD16723	Handle Knob Seal
RD 7200	Drag Washer	RD13055	Push Button Collar	RD16724	Double Paddle Handle Assembly
RD 7201	Click Gear	RD13177	Handle Screw Cap Spacer	RD16725	Baitrunner Lever Arm R
RD 7202	Eared Washer	RD13194	Handle Screw Lock	RD16726	Body
RD 7207	Dial Spacer	RD13241	Ball Bearing	RD16727	Baitrunner Tension Dial
RD 7209	Drag Washer	RD13269	Ball Bearing	RD16728	Drag Programmer B
RD 7416	Screw	RD13374	Ball Bearing	RD16729	Drag Programmer A
RD 7418	Screw	RD13838	Drive Gear		
RD 7419	Screw	RD13846	E Lock	RD16730	Spare Spool Assembly