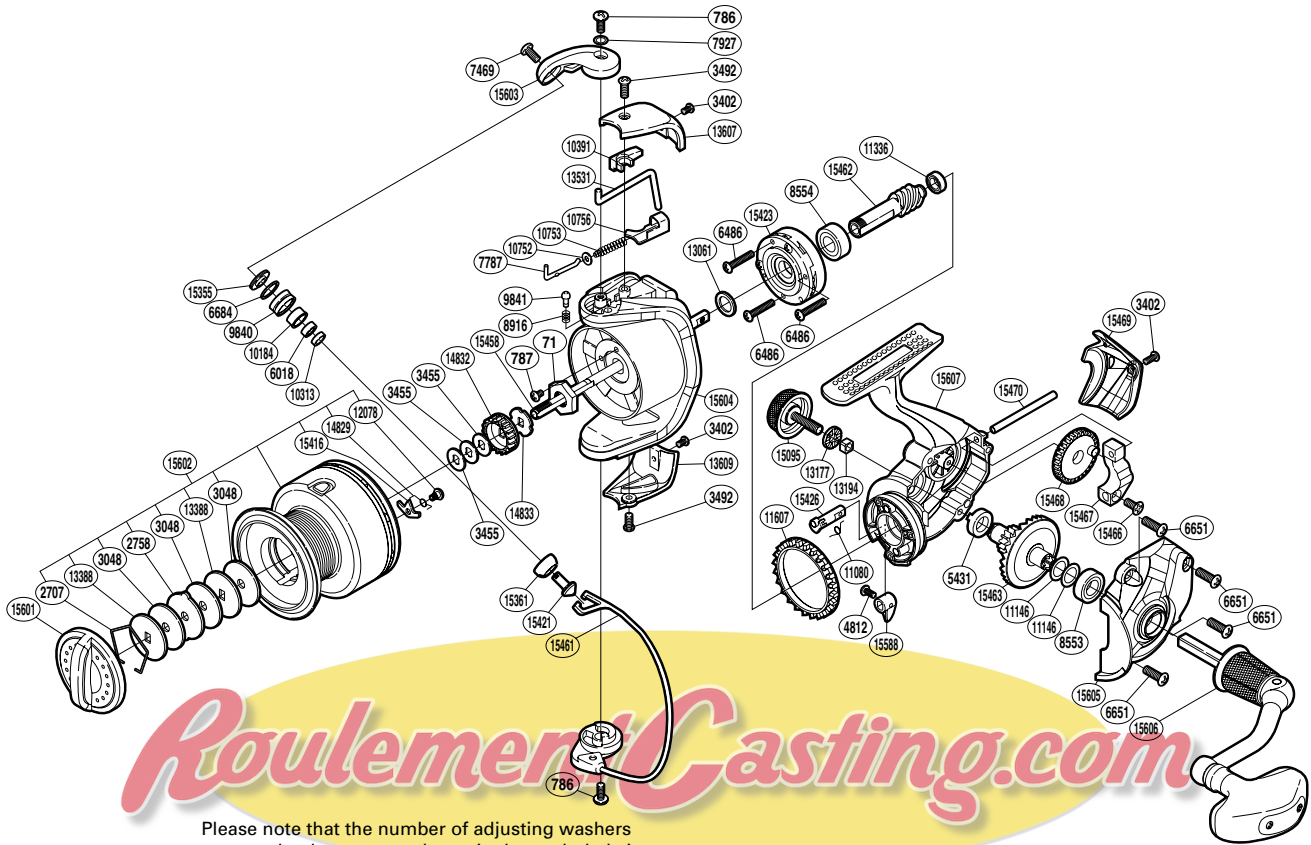


SHIMANO

SYMETRE

SY-4000FL



Please note that the number of adjusting washers may not be the same as shown in the exploded views. (Adjustment will vary with each individual product.)

(1SE46400AU)

Part No.	Description	Part No.	Description	Part No.	Description
RD 0071	Rotor Nut	RD10184	Line Roller Bushing	RD15361	Line Roller Support Cover
RD 0786	Screw	RD10313	Bearing Spacer	RD15416	Drag Click
RD 0787	Screw	RD10391	Bail Trip Cover	RD15421	Line Roller Support
RD 2707	Drag Washers Retainer	RD10752	Bail Spring Guide A Support	RD15423	Roller Clutch Assembly
RD 2758	Eared Washer	RD10753	Bail Spring	RD15426	Anti-Reverse Cam
RD 3048	Drag Washer	RD10756	Bail Spring Seat	RD15458	Main Shaft
RD 3402	Screw	RD11080	Anti-Reverse Cam Spring	RD15461	Bail Assembly
RD 3455	Spool Washer	RD11146	Washer	RD15462	Pinion Gear
RD 3492	Screw	RD11336	Ball Bearing	RD15463	Drive Gear
RD 4812	Screw	RD11607	Friction Ring	RD15466	Screw
RD 5431	Drive Gear Bushing	RD12078	Screw	RD15467	Oscillating Slider
RD 6018	Ball Bearing	RD13061	Washer	RD15468	Oscillating Gear
RD 6486	Screw	RD13177	Handle Screw Cap Spacer	RD15469	Rear Protector
RD 6651	Screw	RD13194	Handle Screw Lock	RD15470	Oscillating Guide
RD 6684	Line Roller Spacer	RD13388	Key Washer	RD15588	Anti-Reverse Lever
RD 7469	Screw	RD13531	Bail Trip Lever	RD15601	Drag Knob
RD 7787	Bail Spring Guide A	RD13607	Bail Spring Cover	RD15602	Spool Assembly
RD 7927	Washer	RD13609	Bail Hold Support Guard	RD15603	Bail Arm
RD 8553	Ball Bearing	RD14829	Drag Click Spring	RD15604	Rotor
RD 8554	Ball Bearing	RD14832	Spool Support A	RD15605	Side Cover
RD 8916	Click Spring	RD14833	Spool Support B	RD15606	Handle Assembly
RD 9840	Line Roller	RD15095	Handle Screw Cap	RD15607	Body
RD 9841	Click Pin	RD15355	Line Roller Washer		